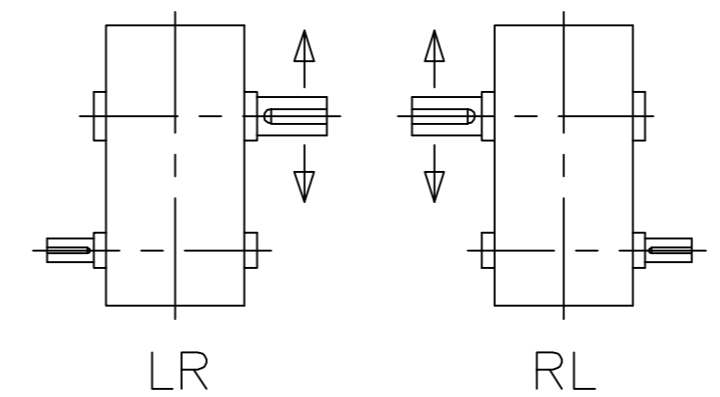
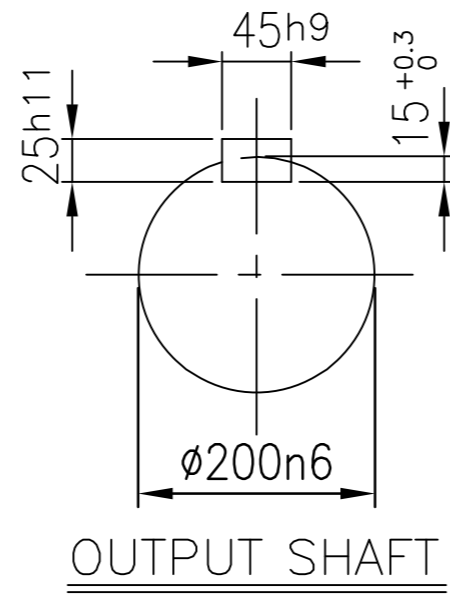
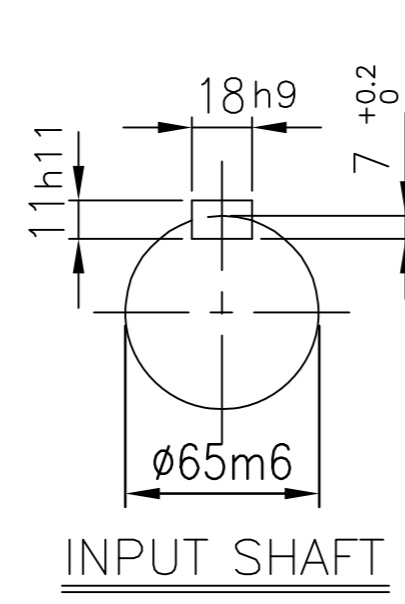
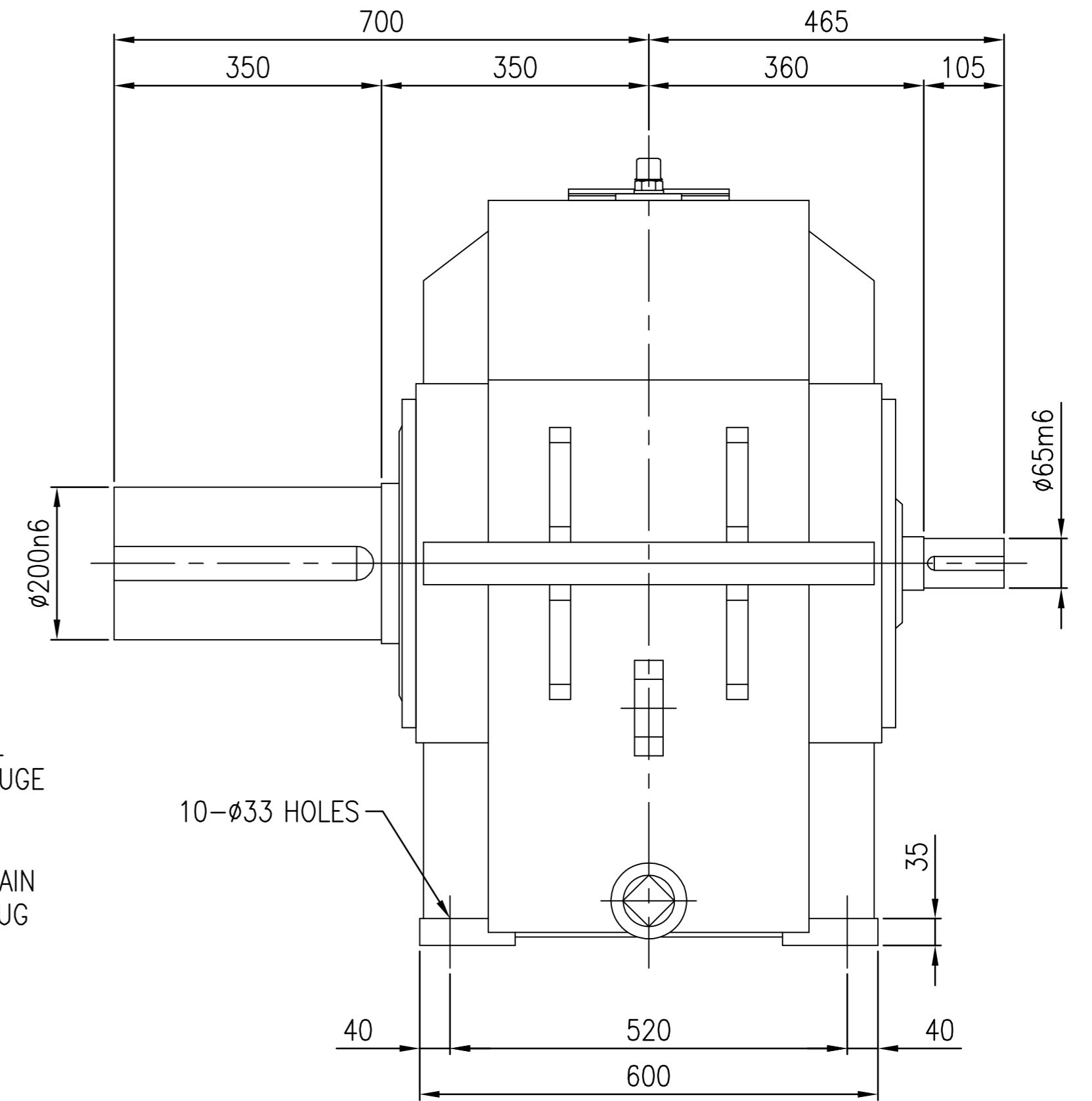
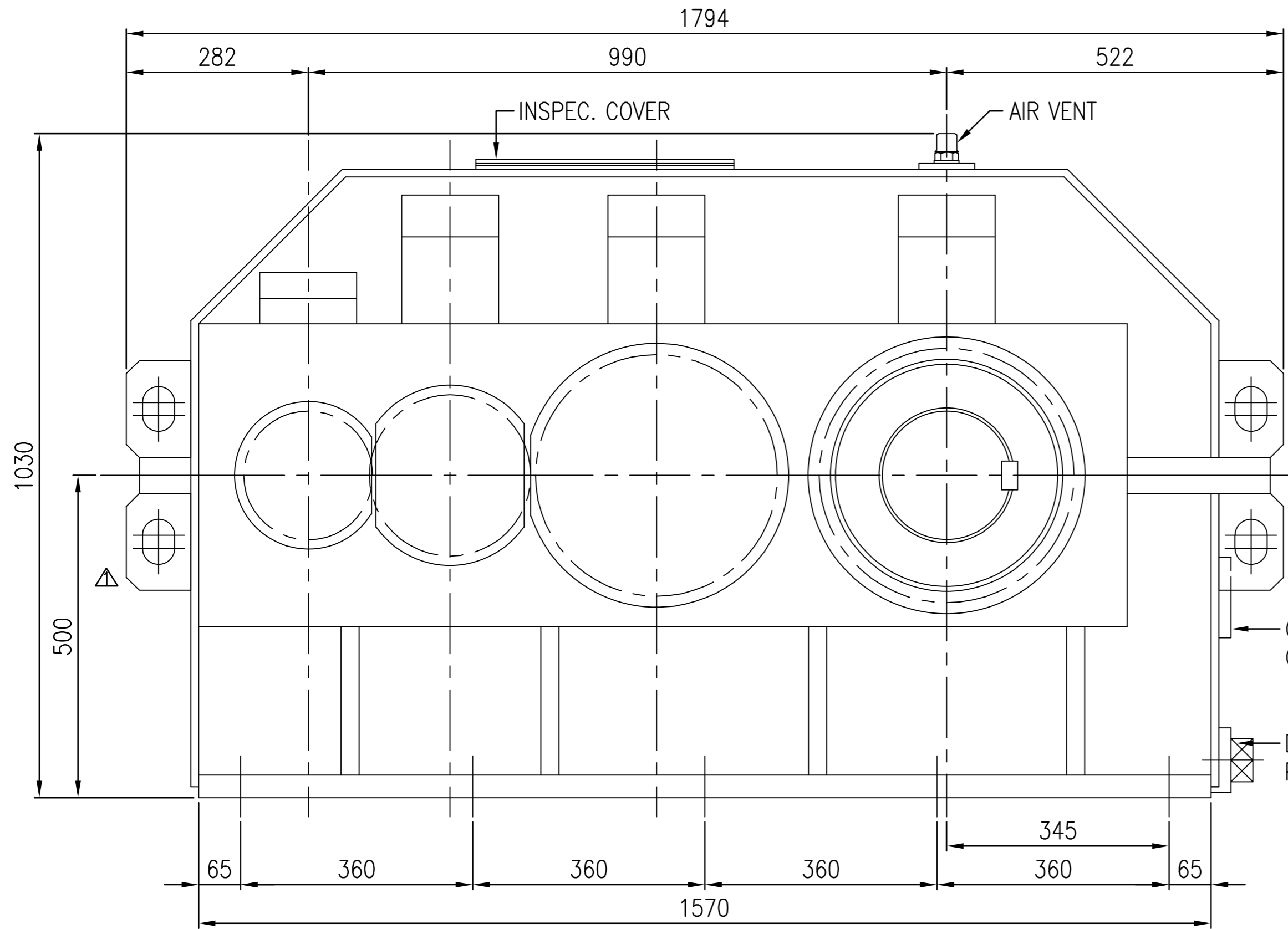


No.	NAME	MATERIAL	DWG/MATL No.	CODE	Q'TY	SIZE	WEIGHT	REMARK
-----	------	----------	--------------	------	------	------	--------	--------



SHAFT ARRANGEMENT & DIRECTION of ROTATION

DWG NAME		기어박스 외형도 DIMENSION						
No.	DATE	DESCRIPTION of REVISION	DESIGNED	CHECKED	REVIEWED	APPROVED	DATE	2013-09-26
2013.09.26		CHANGED LIFTING LUG	박선향	서성민		김기동	2013.10.24	REVISION NO. 01
FORM CE-14-0100-442 2012.02.08		HYOSUNG		SHC45 (i=28~63)		REF. NO. DSKEN571		(A)