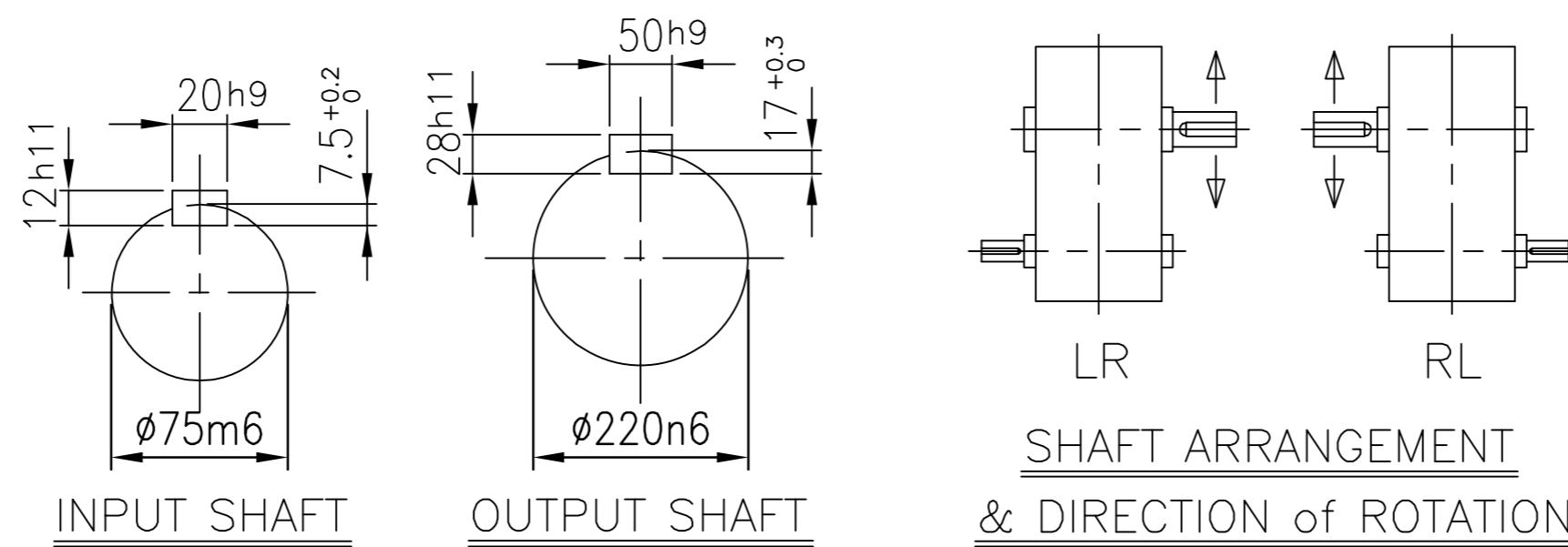
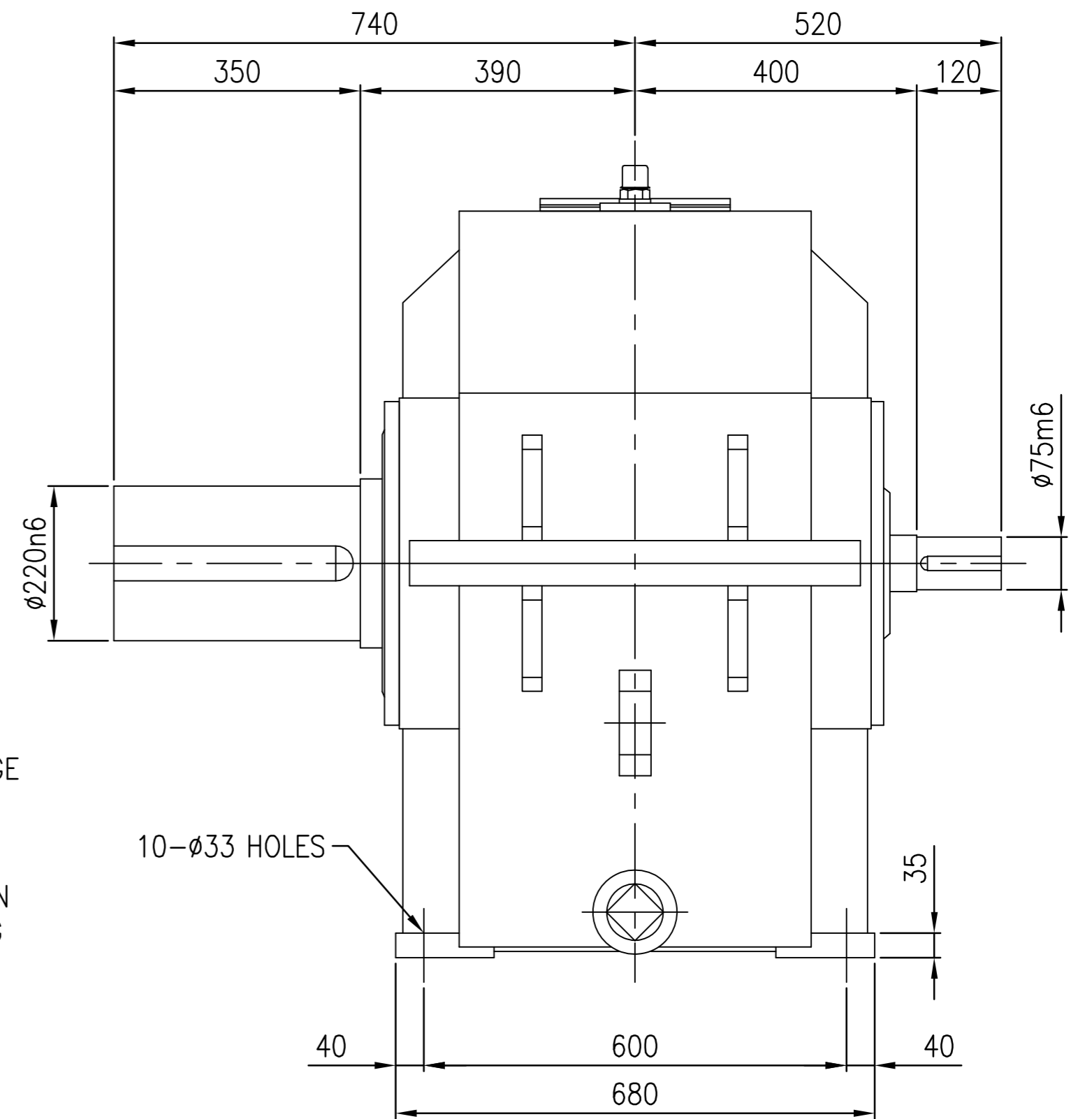
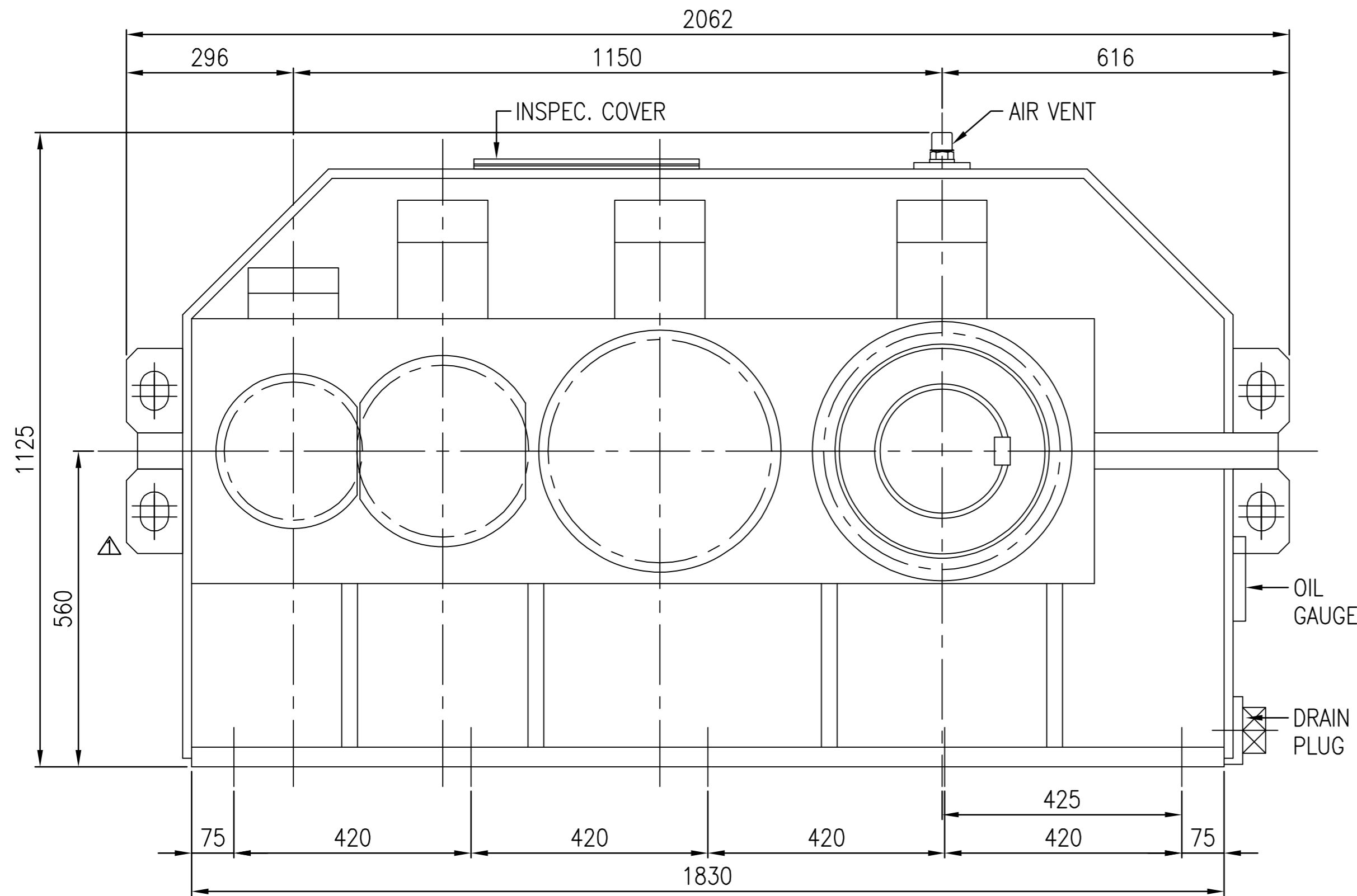


| No. | NAME | MATERIAL | DWG/MATL No. | CODE | Q'TY | SIZE | WEIGHT | REMARK |
|-----|------|----------|--------------|------|------|------|--------|--------|
|-----|------|----------|--------------|------|------|------|--------|--------|



| DWG NAME | | 기어박스 외형도 | | | | DIMENSION | |
|--------------------------------|---------------------|-----------|---------|----------------|----------------|----------------|-----------------|
| 2013.09.26 | CHANGED LIFTING LUG | EKEN00132 | | UNIT | mm | | |
| No. | DATE | DESIGNED | CHECKED | REVIEWED | APPROVED | DATE | 2013-09-26 |
| FORM CE-14-0100-442 2012.02.06 | | HYOSUNG | | 2013.10.24 박선향 | 2013.10.24 서성민 | 2013.10.24 김기동 | REVISION NO. 01 |
| ITEM SHC50 (i=28~63) | | REF. NO. | | DSKEN573 | | (A) | |