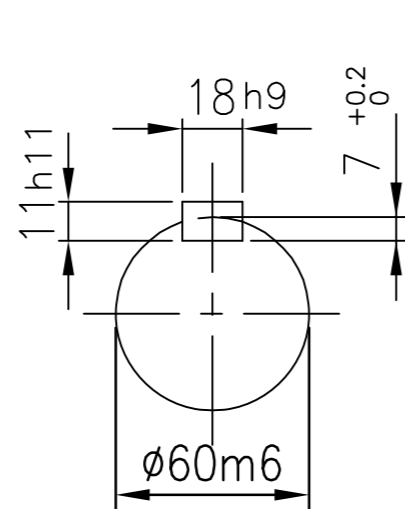
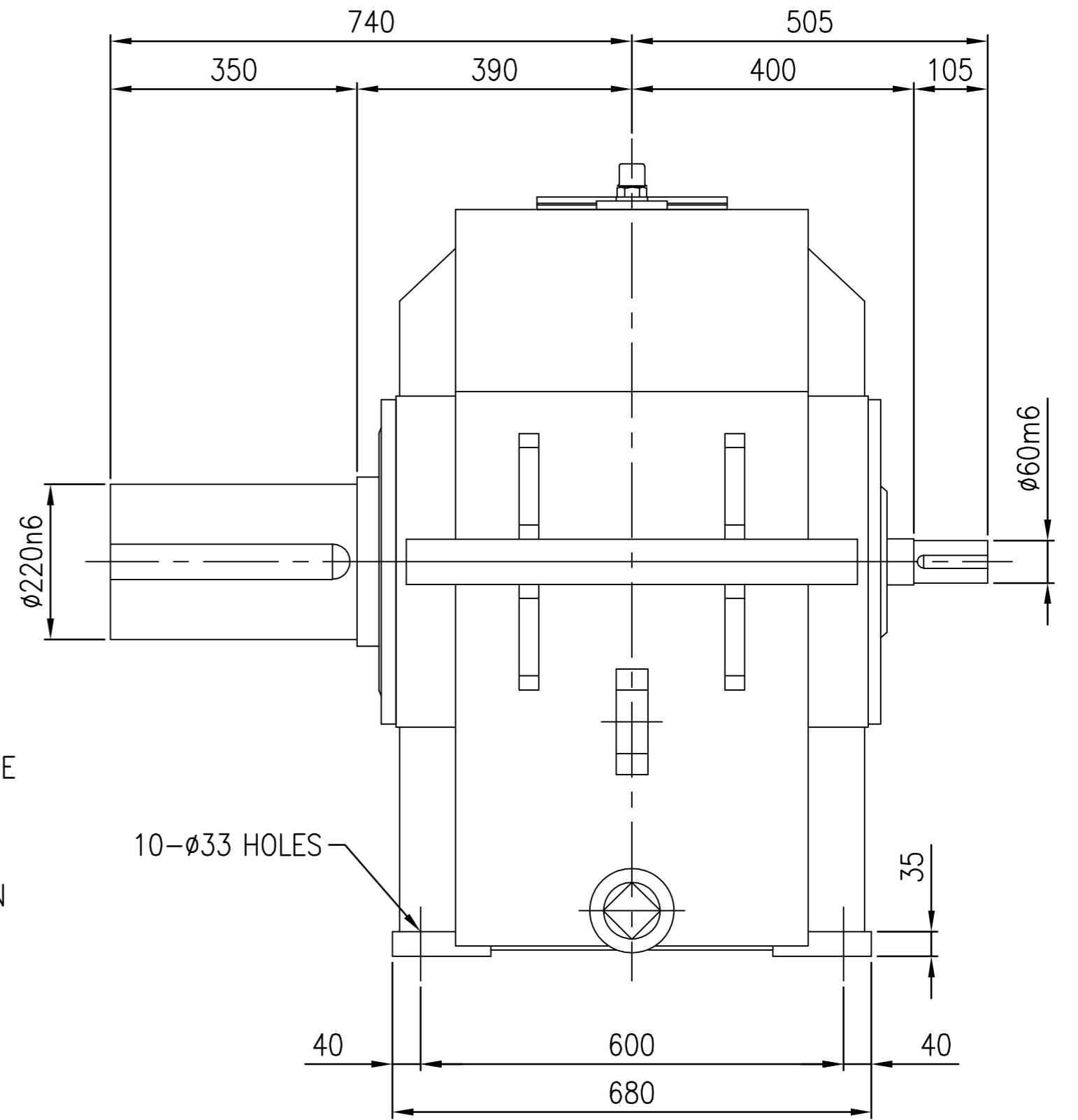
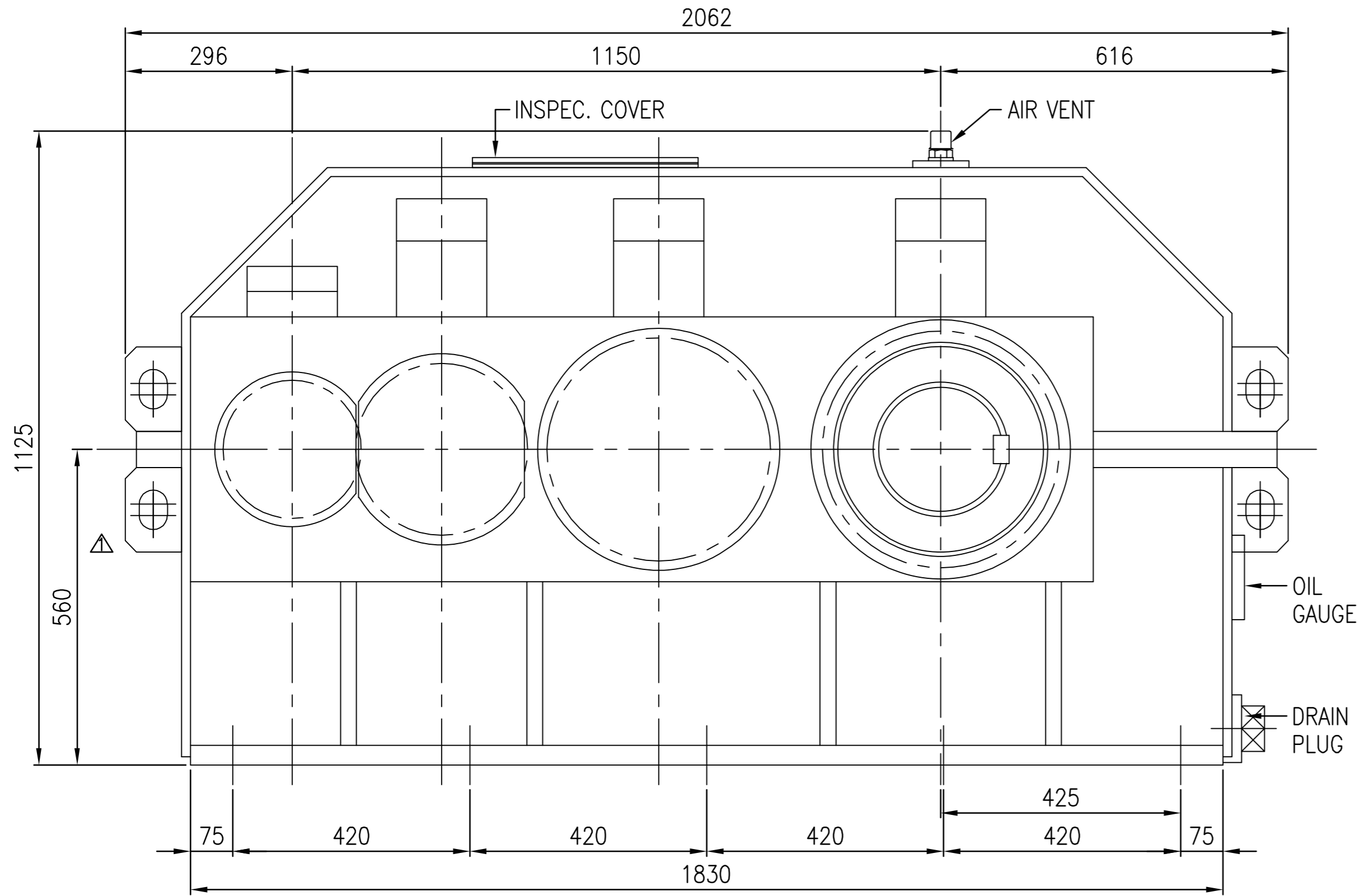
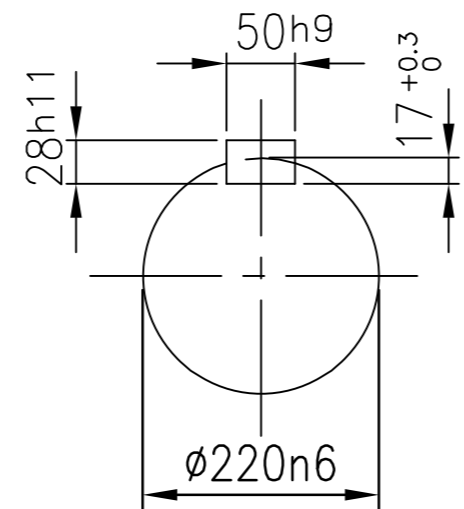


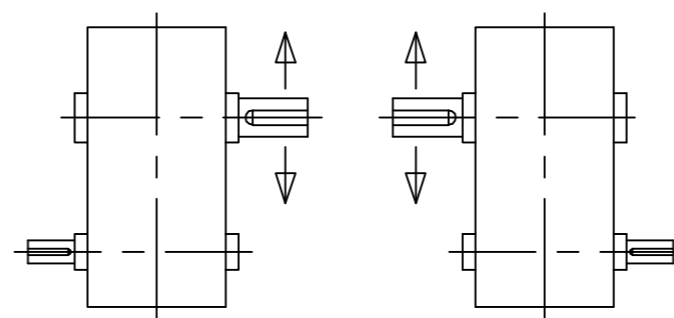
No.	NAME	MATERIAL	DWG/MATL No.	CODE	Q'TY	SIZE	WEIGHT	REMARK
-----	------	----------	--------------	------	------	------	--------	--------



INPUT SHAFT



OUTPUT SHAFT



SHAFT ARRANGEMENT & DIRECTION of ROTATION

DWG NAME		기어박스 외형도			
DIMENSION		DIMENSION			
2013.09.26	CHANGED LIFTING LUG	EKG1D000133		UNIT	mm
No.	DATE	DESIGNED	CHECKED	REVIEWED	APPROVED
2013.10.24	박선향	2013.10.24	서성민	2013.10.24	김기동
ITEM		SHC50 (i=71~112)		REF. NO.	DSKEN574
FORM		CE-14-0100-442		REVISION NO.	01
2012.02.08		HYOSUNG		PROJECTION	