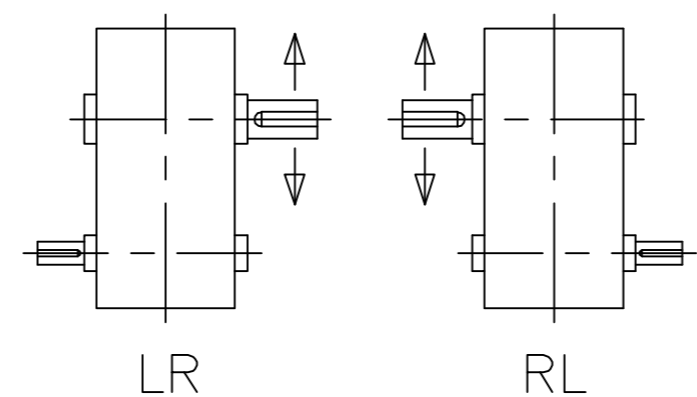
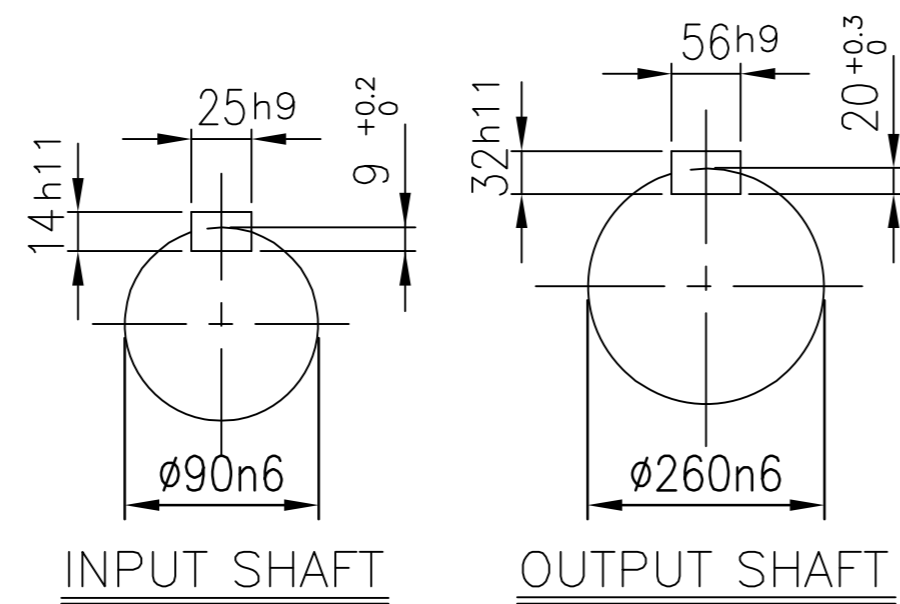
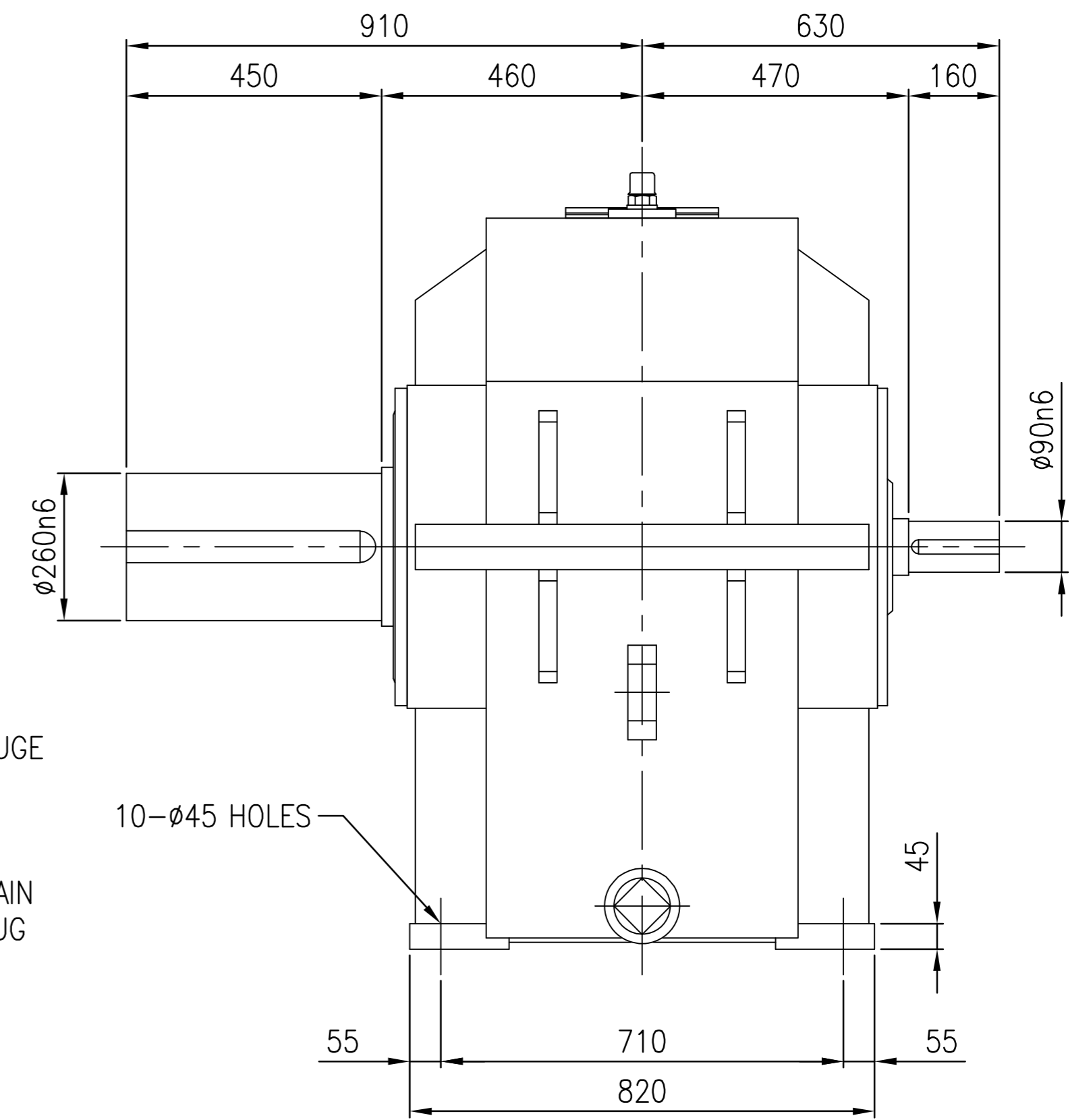
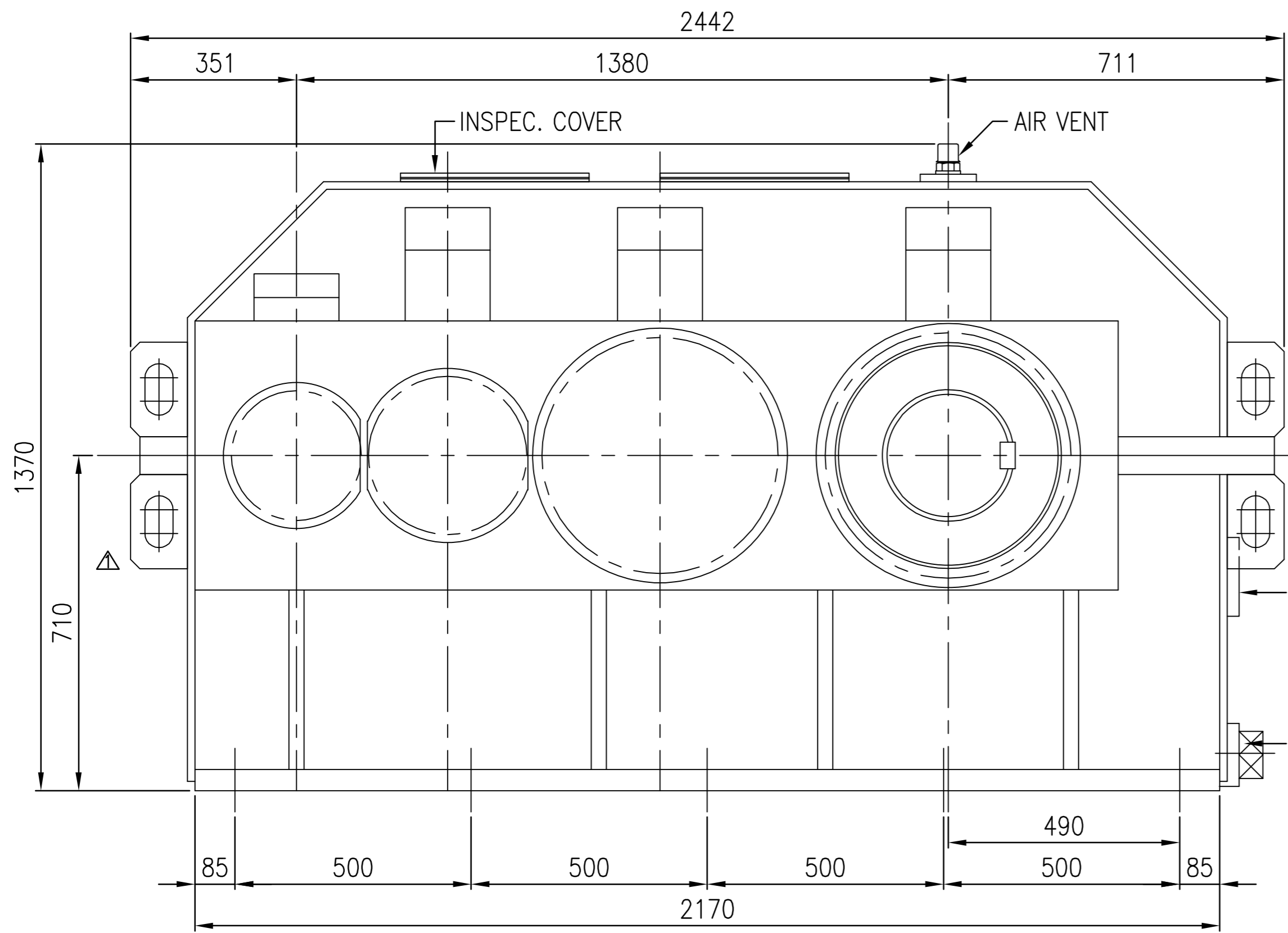


No.	NAME	MATERIAL	DWG/MATL No.	CODE	Q'TY	SIZE	WEIGHT	REMARK
-----	------	----------	--------------	------	------	------	--------	--------



DWG NAME		기어박스 외형도				DIMENSION	
2013.09.26	CHANGED LIFTING LUG	EKG1D000136		UNIT	mm		
No.	DATE	DESIGNED	CHECKED	REVIEWED	APPROVED	DATE	2013-09-26
FORM CE-14-0100-442 2012.02.08		HYOSUNG		2013.10.24 박선향	2013.10.24 서성민	2013.10.24 김기동	REVISION NO. 01
ITEM SHC61 (i=28~63)		REF. NO.		DSKEN577		(A)	