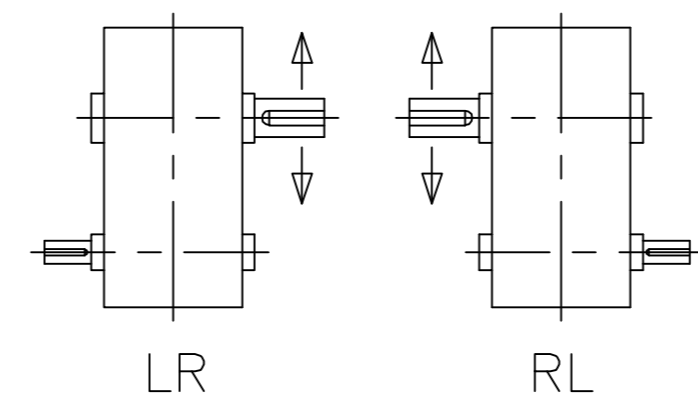
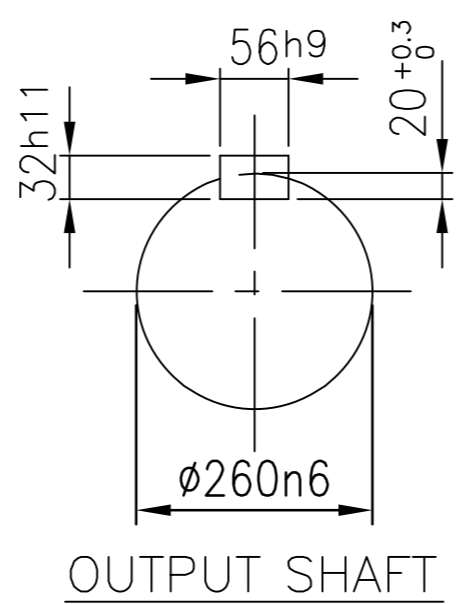
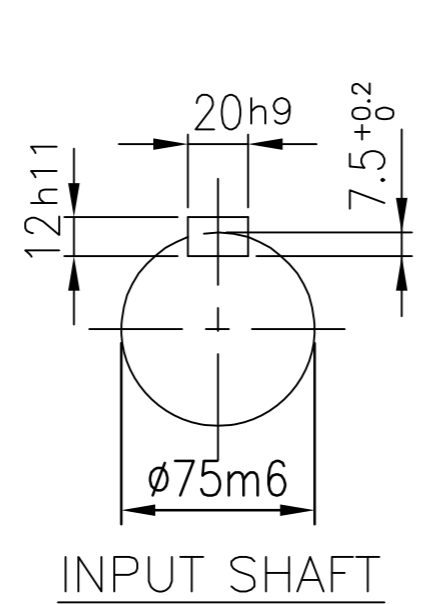
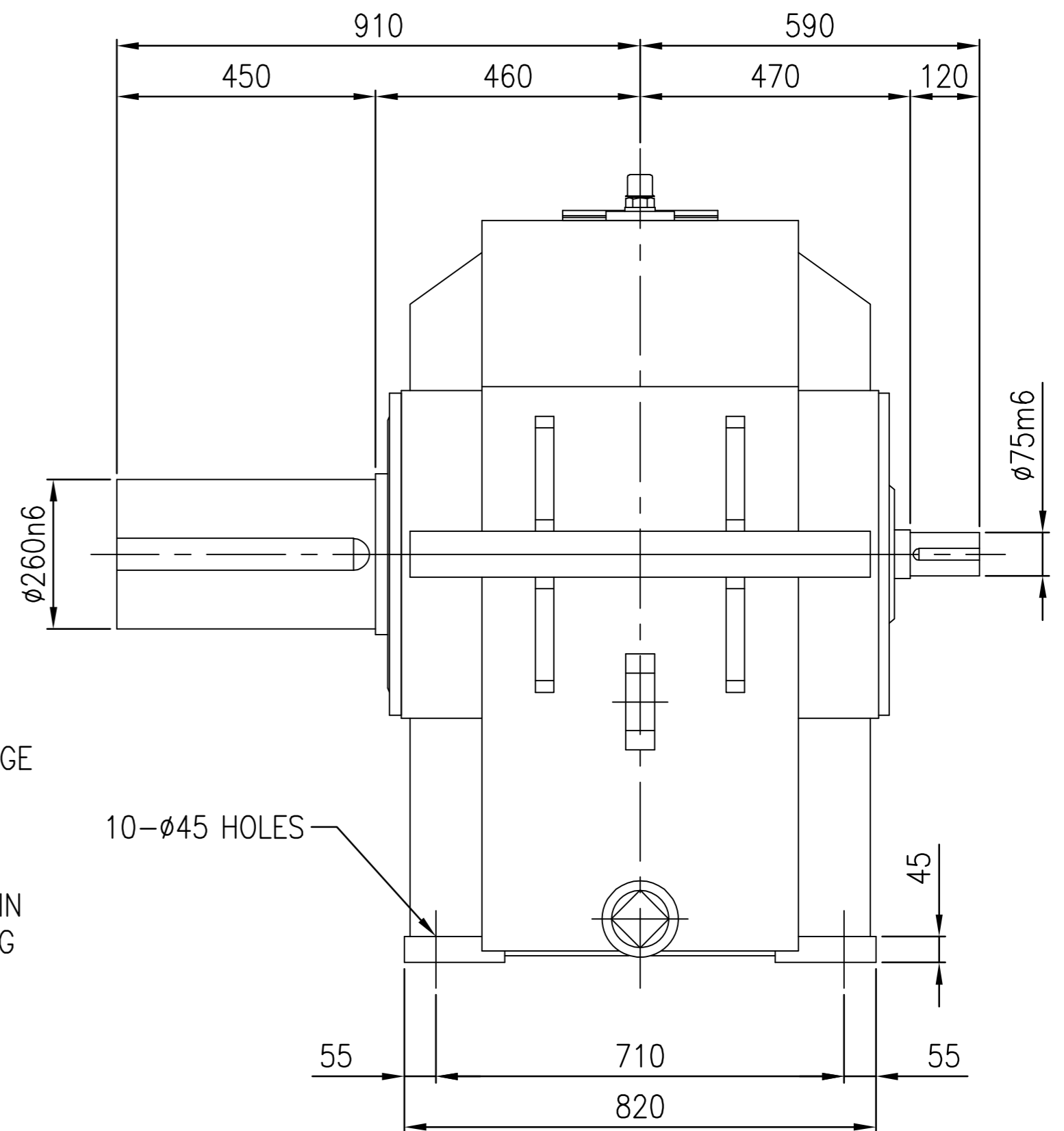
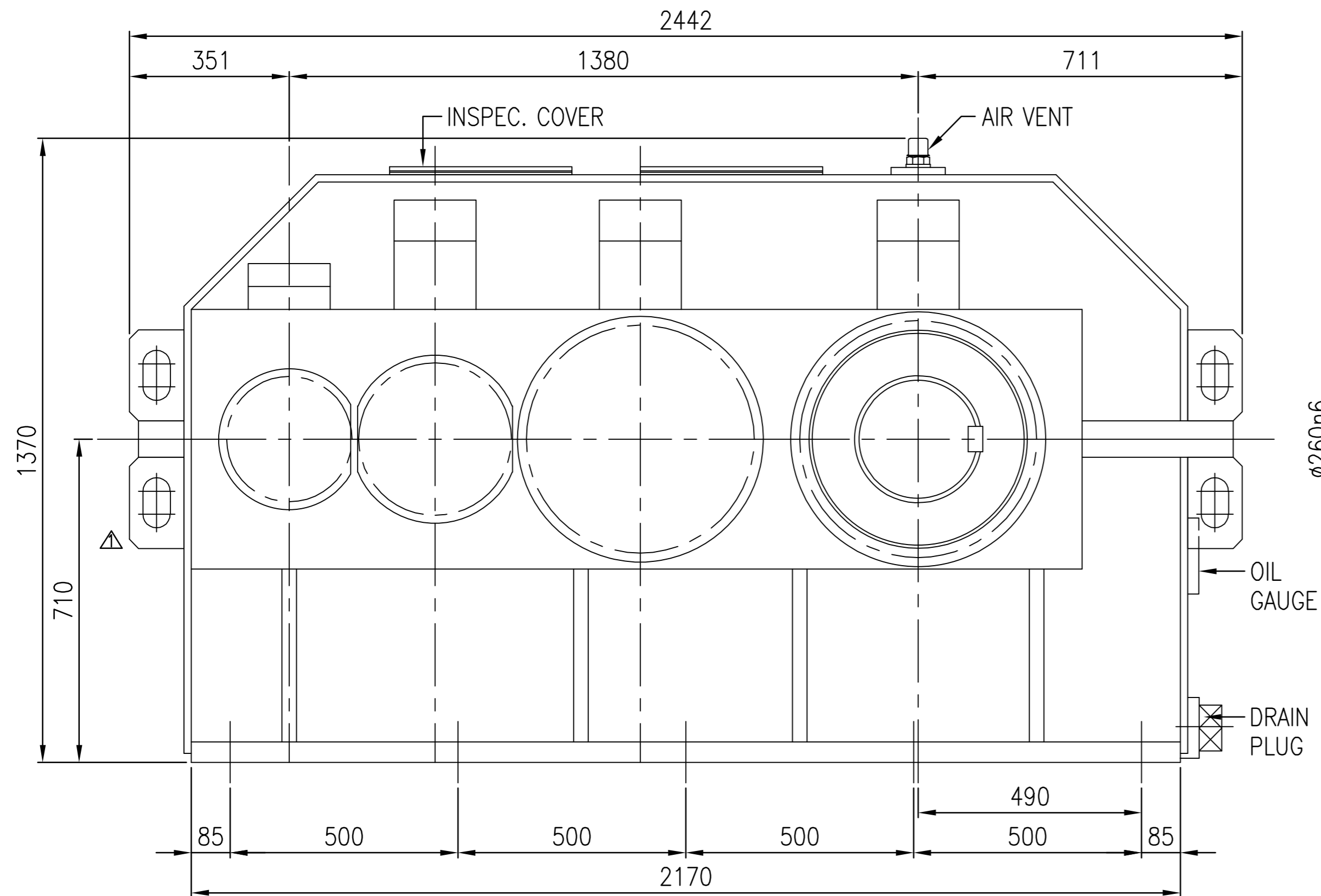


No.	NAME	MATERIAL	DWG/MATL No.	CODE	Q'TY	SIZE	WEIGHT	REMARK
-----	------	----------	--------------	------	------	------	--------	--------



SHAFT ARRANGEMENT & DIRECTION of ROTATION

DWG NAME		기어박스 외형도						
DIMENSION		DIMENSION						
No.	DATE	DESCRIPTION of REVISION	DESIGNED	CHECKED	REVIEWED	APPROVED	DATE	2013-09-26
2013.09.26.		CHANGED LIFTING LUG	박선향	서성민		김기동		
FORM		HYOSUNG		REVISION NO.		01		
CE-14-0100-442		SHC61 (i=71~112)		PROJECTION		A		
2012.02.08		REF. NO.		DSKEN578				
UNIT		mm		SCALE		1:9		