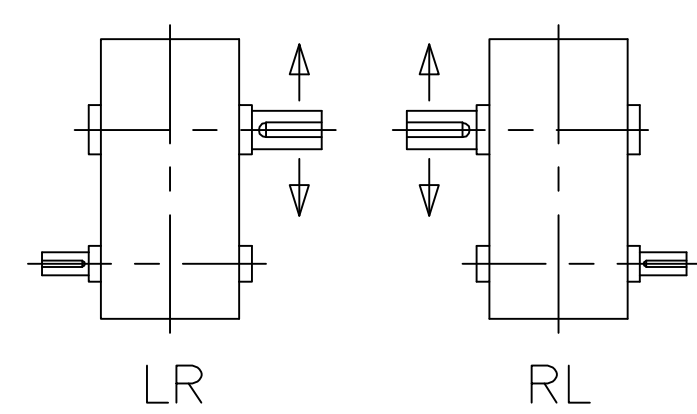
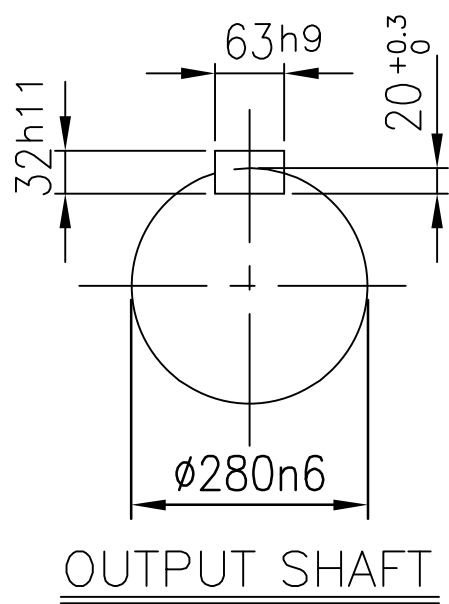
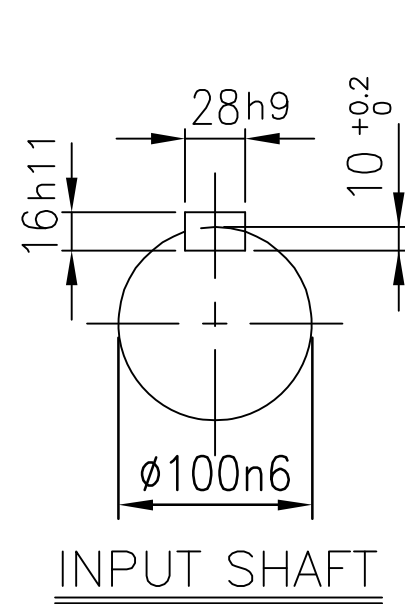
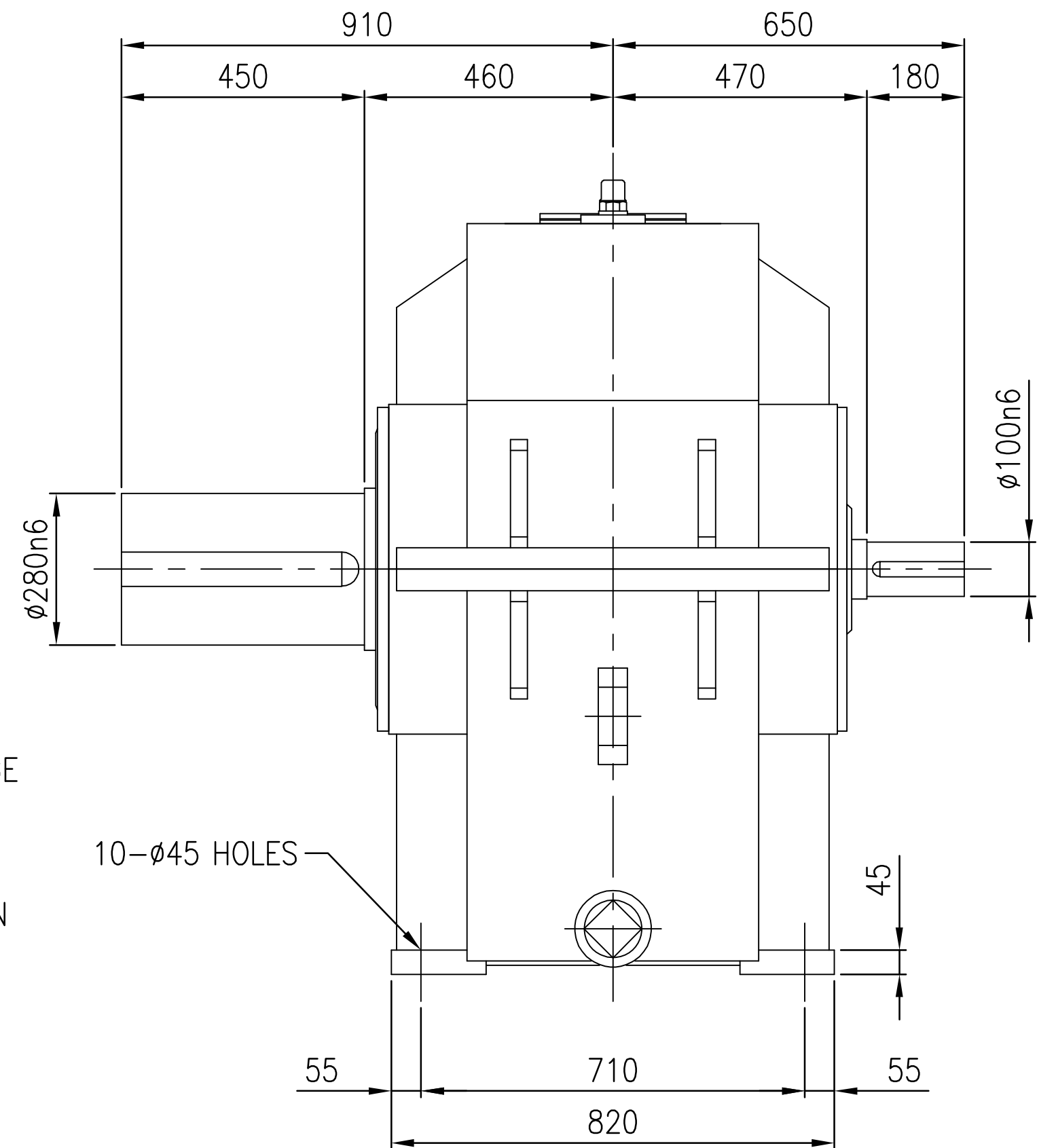
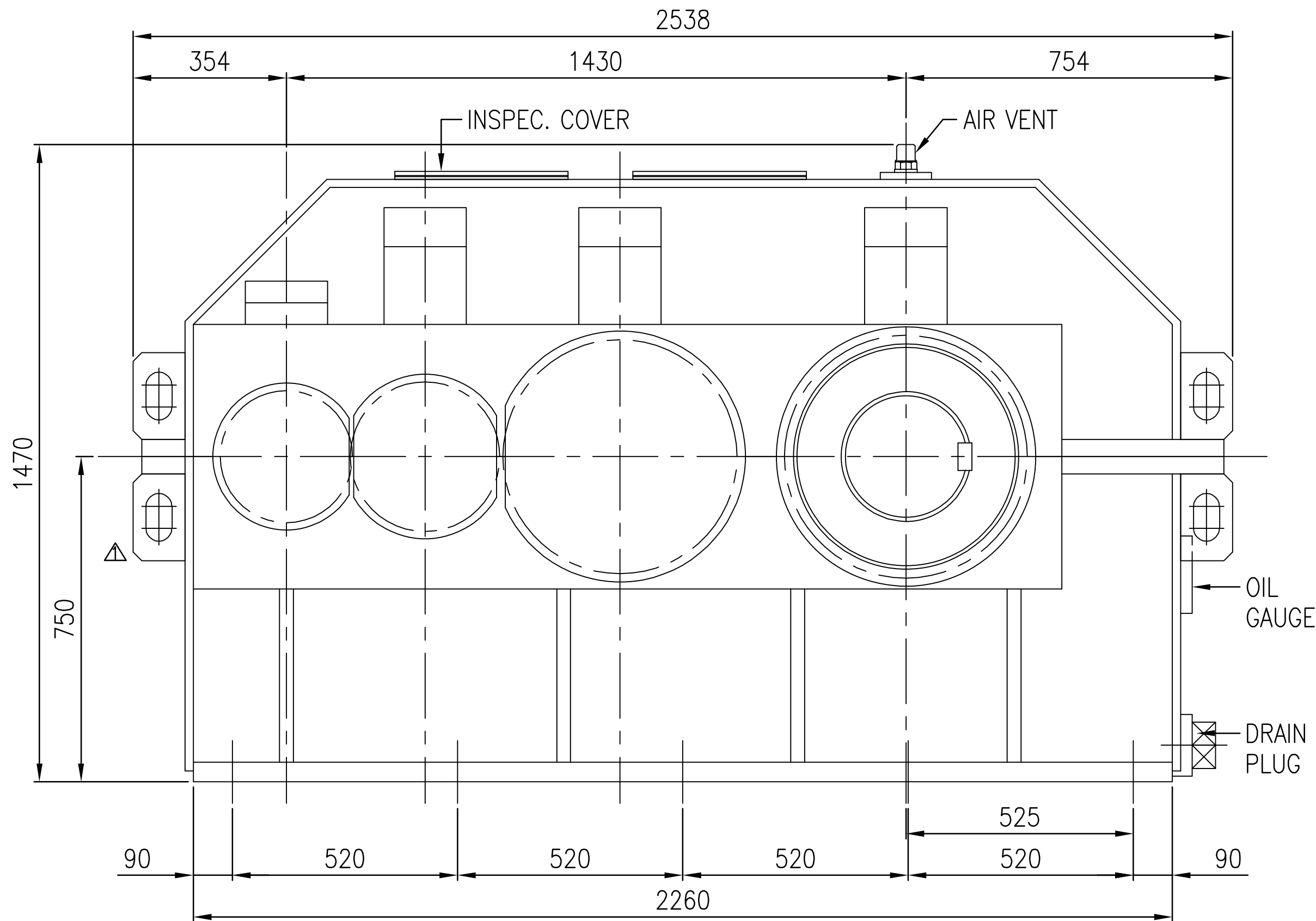


No.	NAME	MATERIAL	DWG/MATL No.	CODE	Q'TY	SIZE	WEIGHT	REMARK
-----	------	----------	--------------	------	------	------	--------	--------



DWG NAME		기어박스 외형도				DIMENSION	
2013.09.26		CHANGED LIFTING LUG				EYK1D000138	
No. DATE		DESIGNED		CHECKED		REVIEWED	
2013.10.24		박선향		서성민		2013.10.24	
FORM		APPROVED		DATE		REVISION NO.	
CE-14-0100-442		김기동		2013-09-26		01	
ITEM		SHC66 (i=28~63)		REF. NO.		DSKEN579	
UNIT		mm		SCALE		1:9.5	
PROJECTION		A					