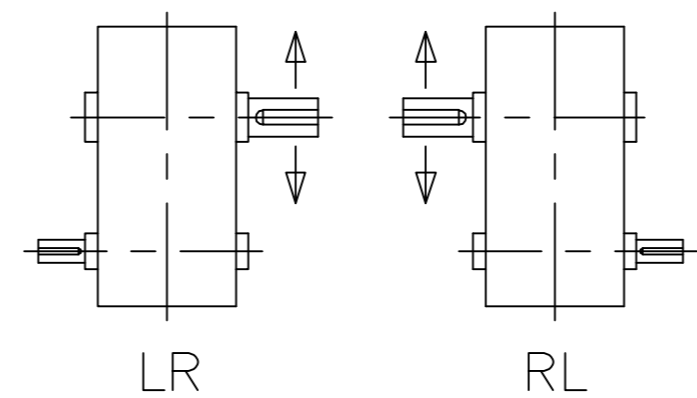
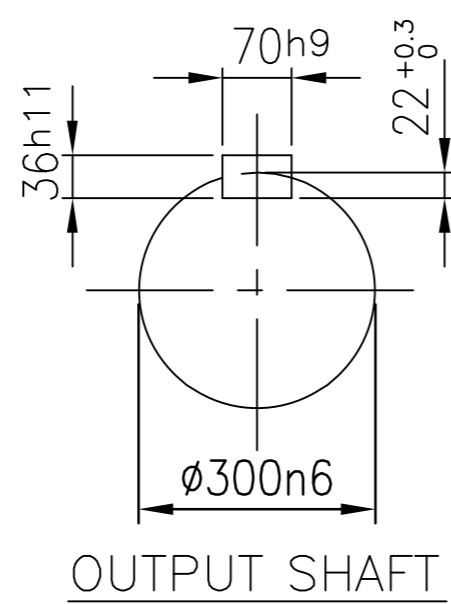
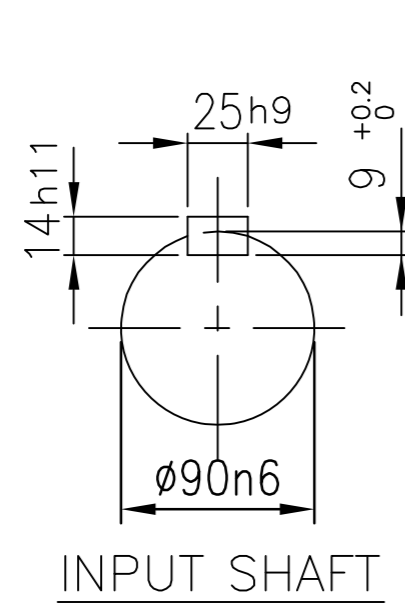
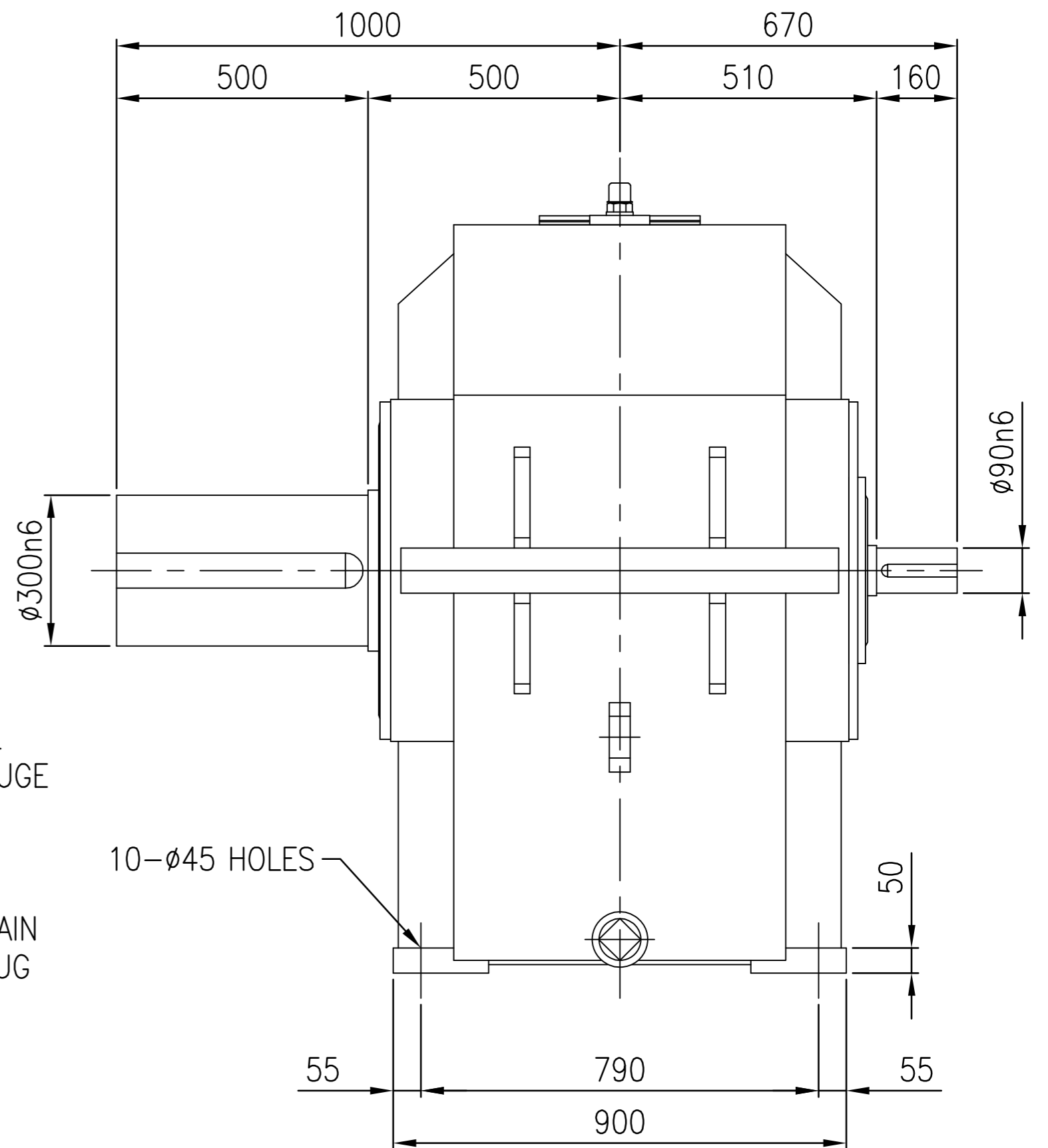
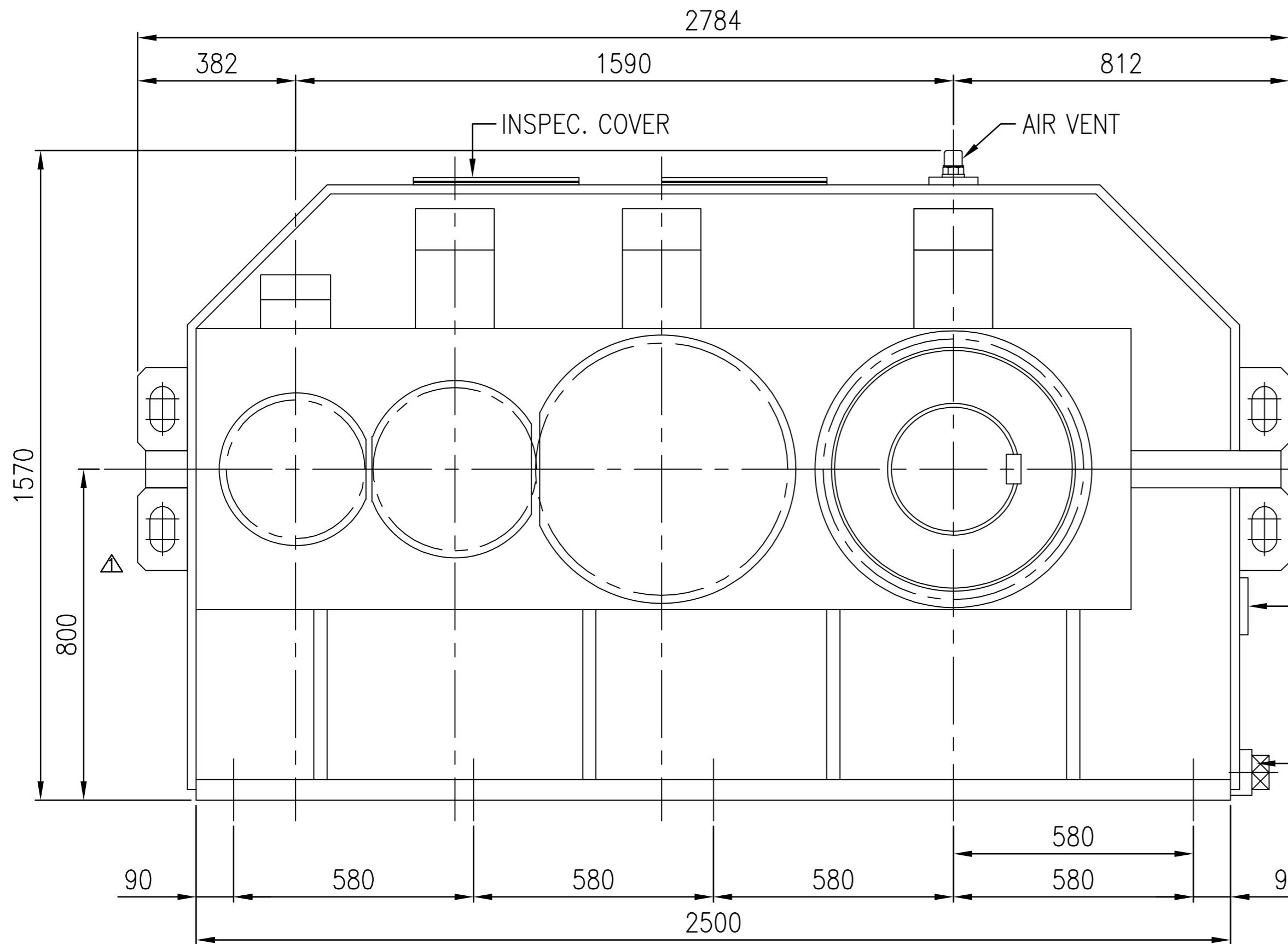


No.	NAME	MATERIAL	DWG/MATL No.	CODE	Q'TY	SIZE	WEIGHT	REMARK
-----	------	----------	--------------	------	------	------	--------	--------



SHAFT ARRANGEMENT  
& DIRECTION of ROTATION

DWG NAME		기어박스 외형도				DIMENSION	
No.	DATE	DESCRIPTION of REVISION	DESIGNED	CHECKED	REVIEWED	APPROVED	DATE
2013.09.26.		CHANGED LIFTING LUG	박선향	서성민		김기동	2013-09-26
DWG No.		EK1D000141		UNIT	mm		
SCALE		1:10		REVISION NO.	01		
ITEM		SHC71 (i=71~112)		REF. NO.	DSKEN582		