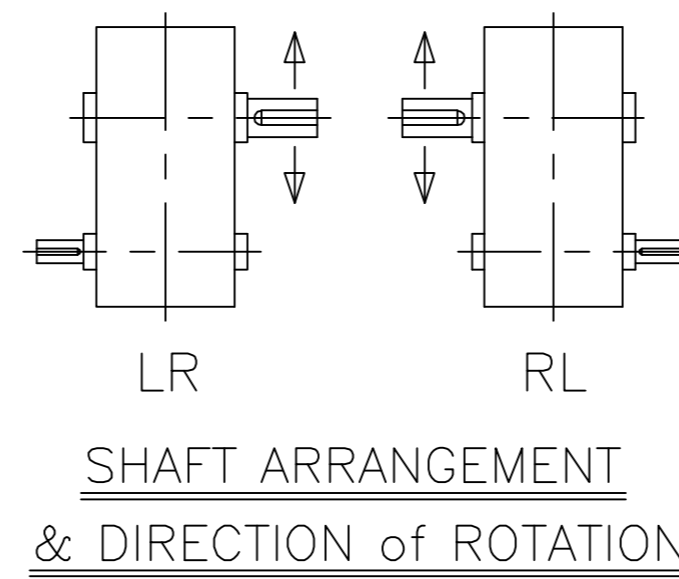
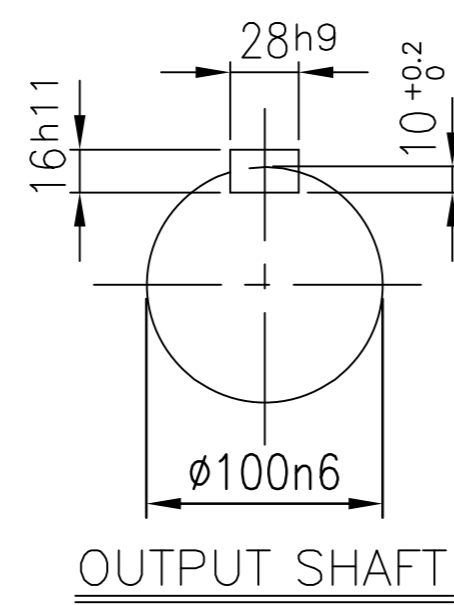
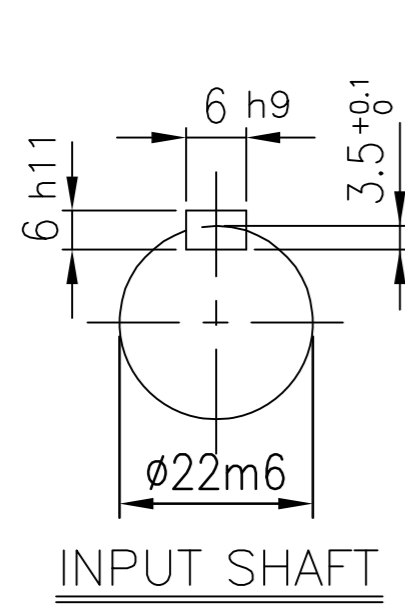
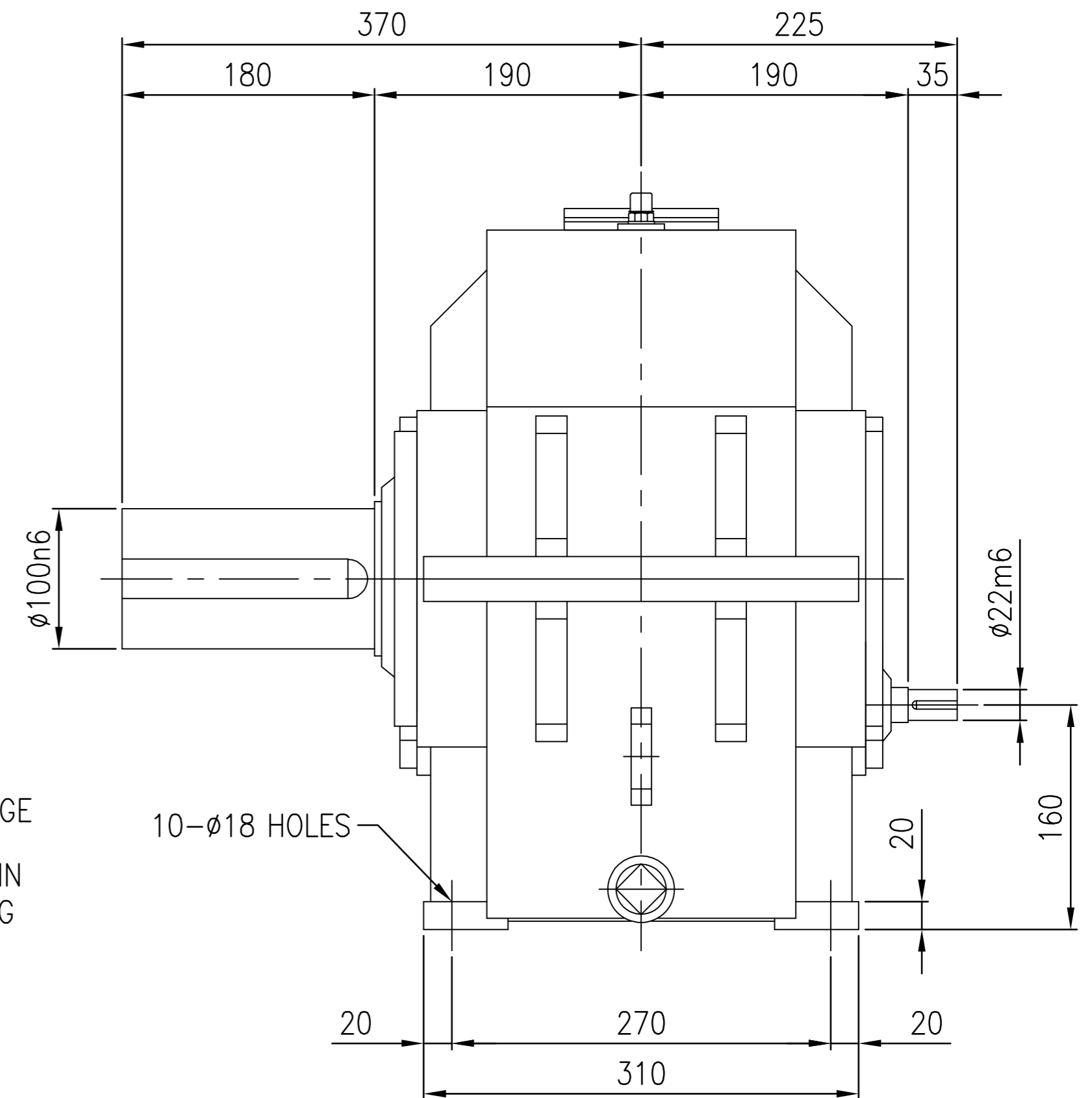
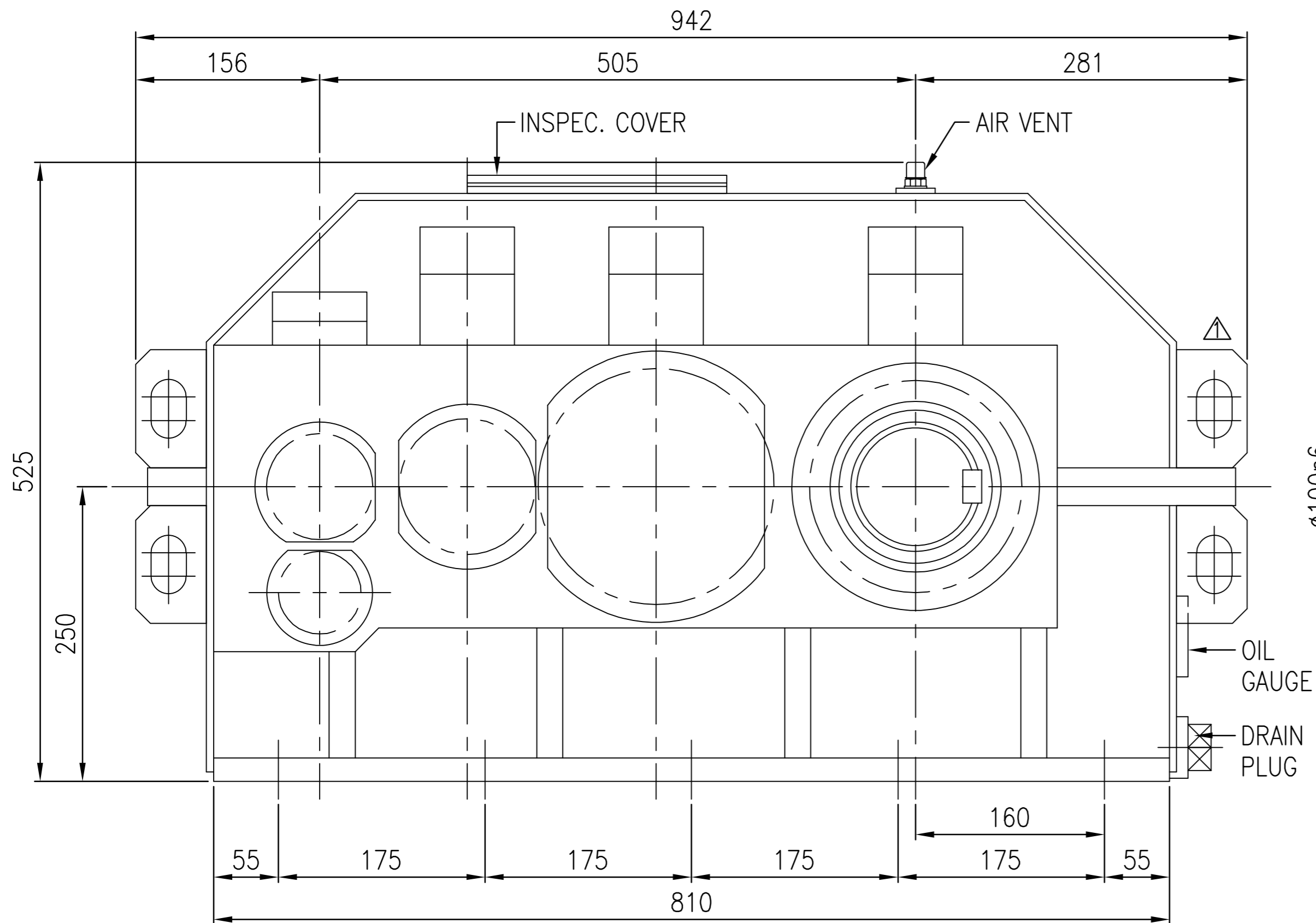


No.	NAME	MATERIAL	DWG/MATL No.	CODE	Q'TY	SIZE	WEIGHT	REMARK
-----	------	----------	--------------	------	------	------	--------	--------



DWG NAME		기어박스 외형도						
DIMENSION		DIMENSION						
No.	DATE	DESCRIPTION of REVISION	DESIGNED	CHECKED	REVIEWED	APPROVED	DATE	2013-09-26
2013.09.26		CHANGED LIFTING LUG						
FORM CE-14-010-42 2012.02.08		HYOSUNG		2013.10.24	2013.10.24	2013.10.24	REVISION NO.	01
ITEM		SHD22 (i=112~280)		REF. NO.	DSKEN583		PROJECTION	(A)