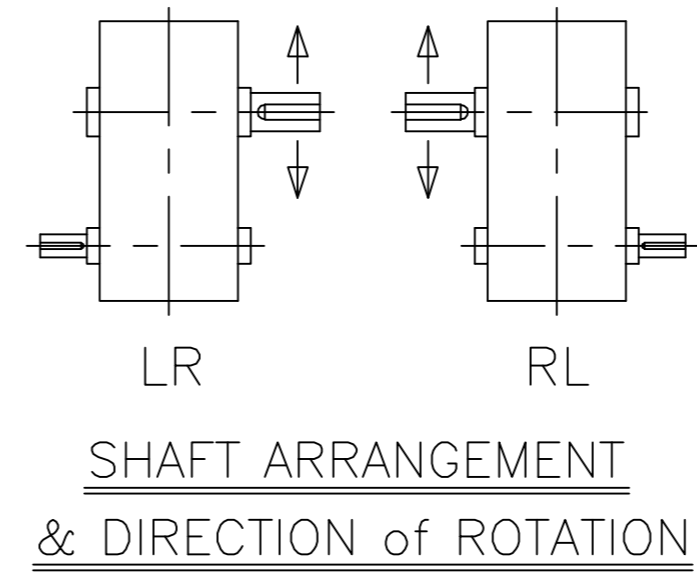
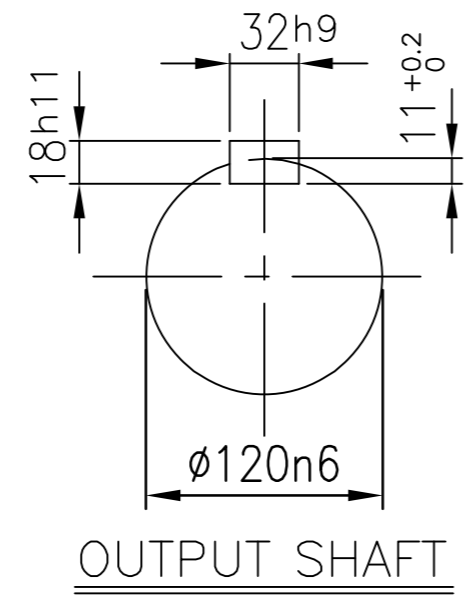
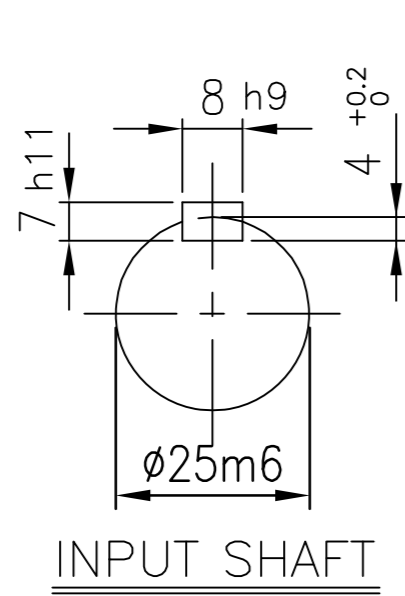
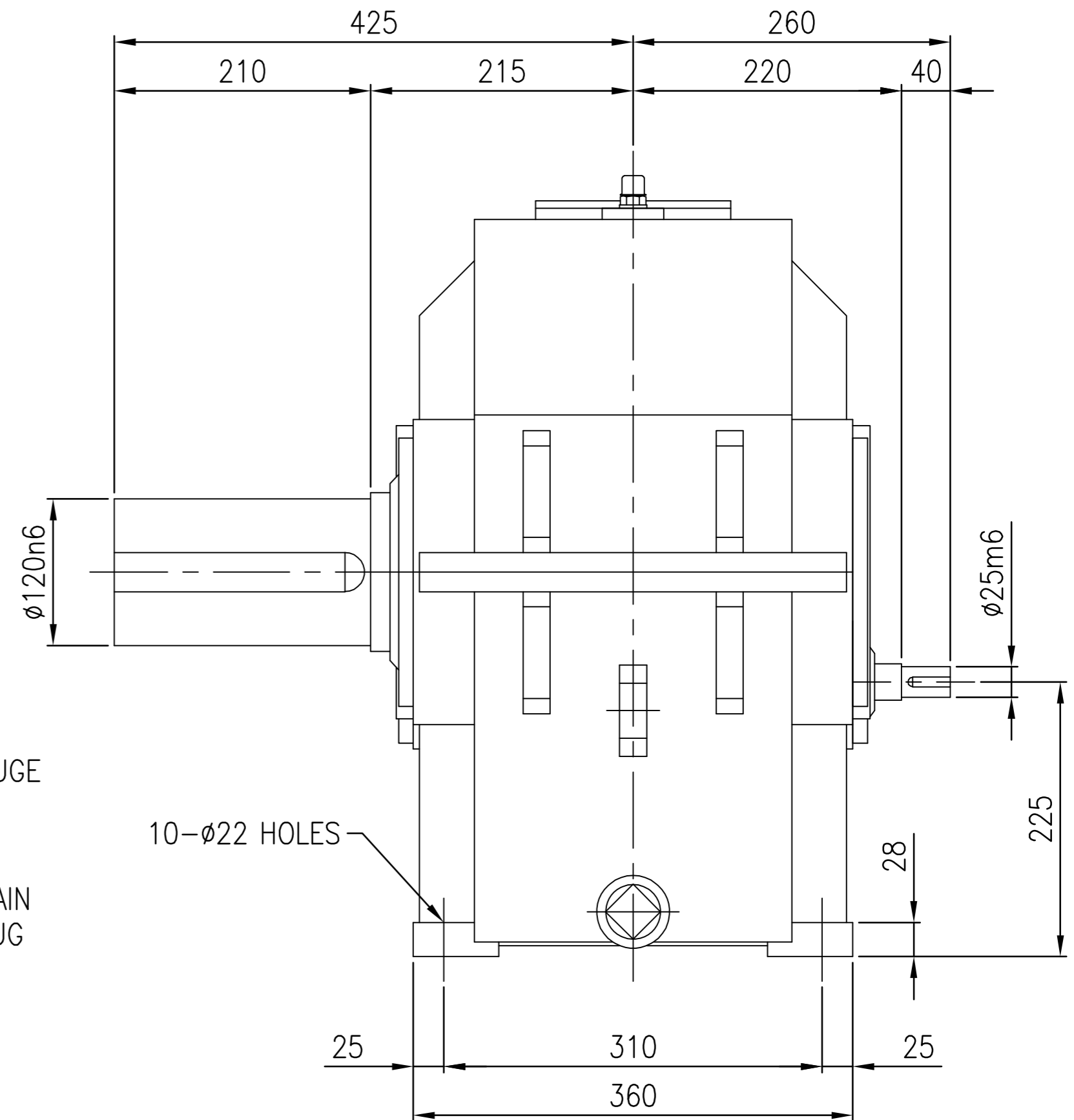
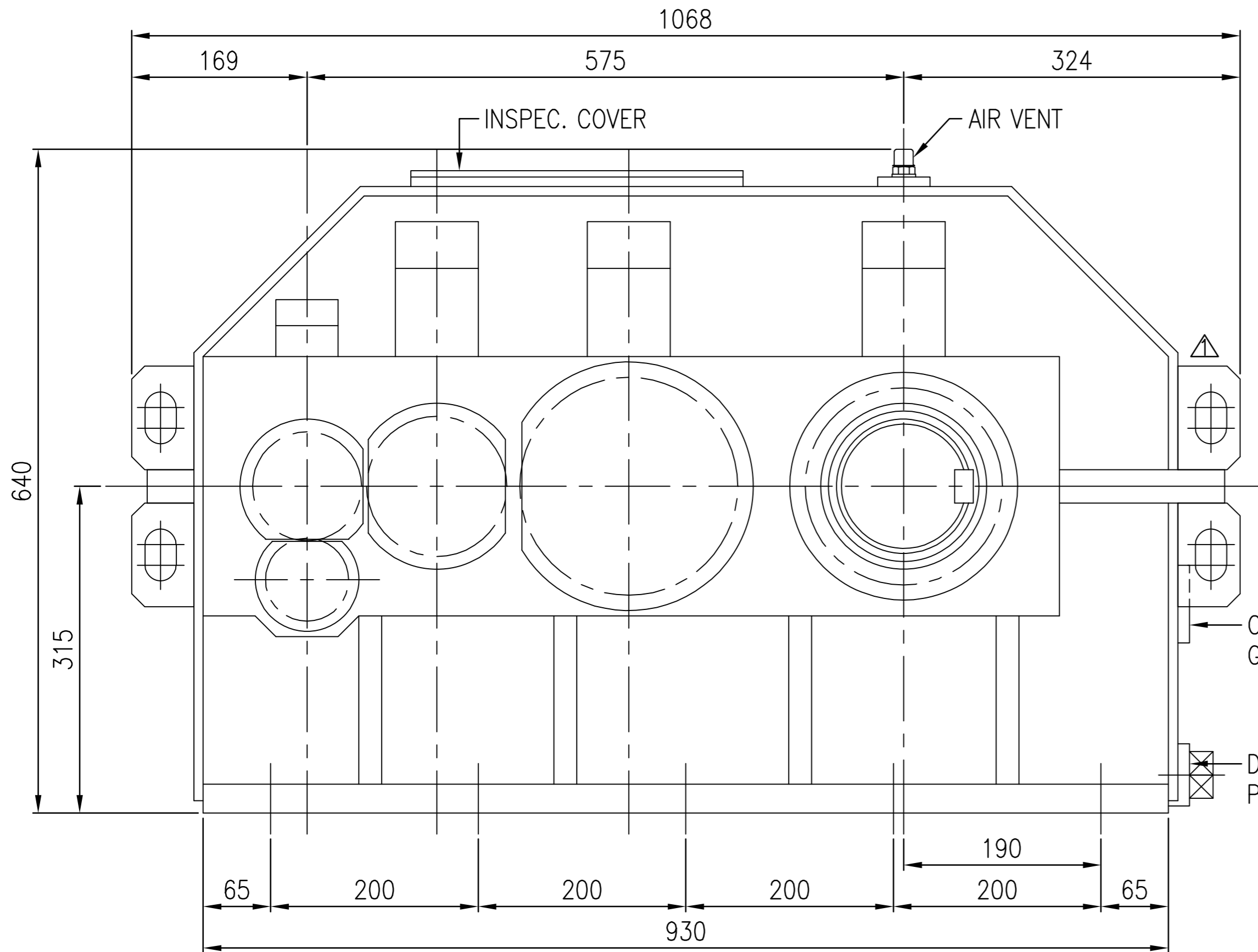


No.	NAME	MATERIAL	DWG/MATL No.	CODE	Q'TY	SIZE	WEIGHT	REMARK
-----	------	----------	--------------	------	------	------	--------	--------



DWG NAME		기어박스 외형도			
DIMENSION		DIMENSION			
2013.09.26	CHANGED LIFTING LUG	DWG No. EK1D000144		UNIT	mm
No.	DATE	DESIGNED	CHECKED	REVIEWED	APPROVED
		박선향	서성민		김기동
FORM CE-14-010-42 2012.02.08		HYOSUNG		REVISION NO.	01
ITEM SHD26 (i=112~280)		REF. NO.		DSKEN585	(A)
		DATE		2013-09-26	
		SCALE		1:4	
		PROJECTION			