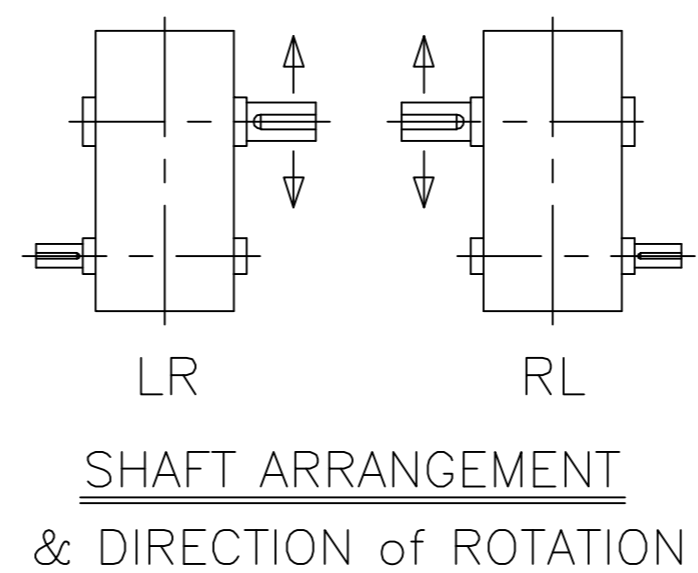
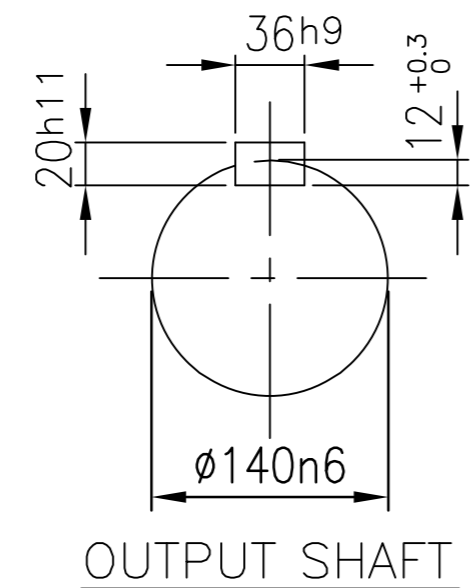
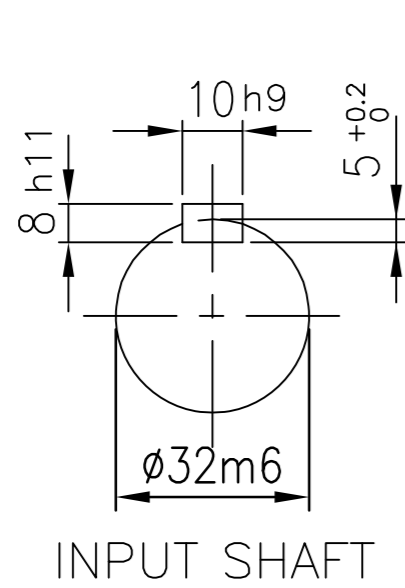
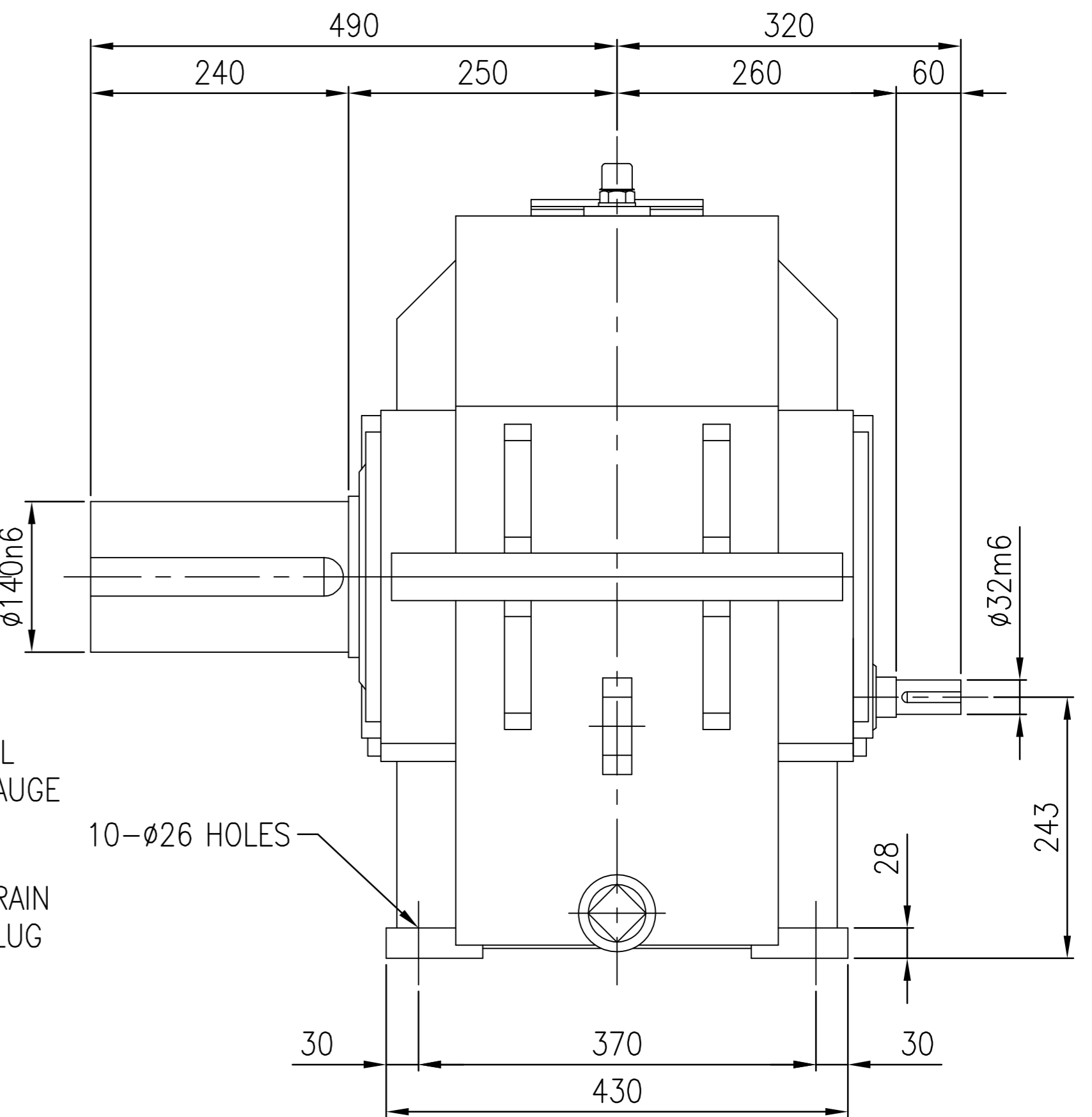
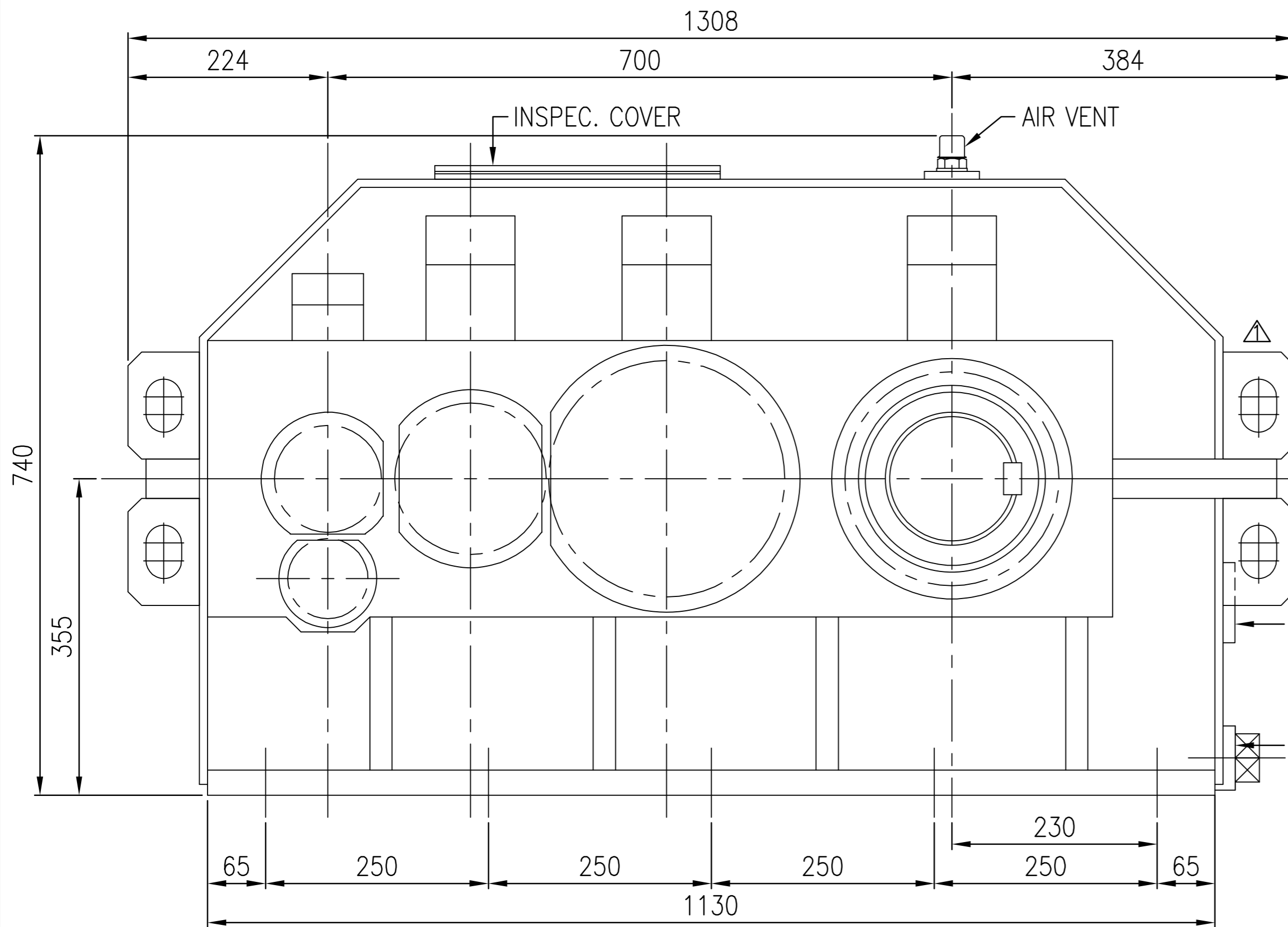


No.	NAME	MATERIAL	DWG/MATL No.	CODE	Q'TY	SIZE	WEIGHT	REMARK
-----	------	----------	--------------	------	------	------	--------	--------



DWG NAME		기어박스 외형도 DIMENSION			
2013.09.26	CHANGED LIFTING LUG	DWG No. <b>EK1D000146</b>		UNIT	mm
No.	DATE	DESIGNED	CHECKED	REVIEWED	APPROVED
		박선희	서성민	김기동	
FORM CE-14-0100-442 2012.02.06		HYOSUNG		REVISION NO.	01
ITEM SHD32 (i=112~280)		REF. NO.		DSKEN587	(A)