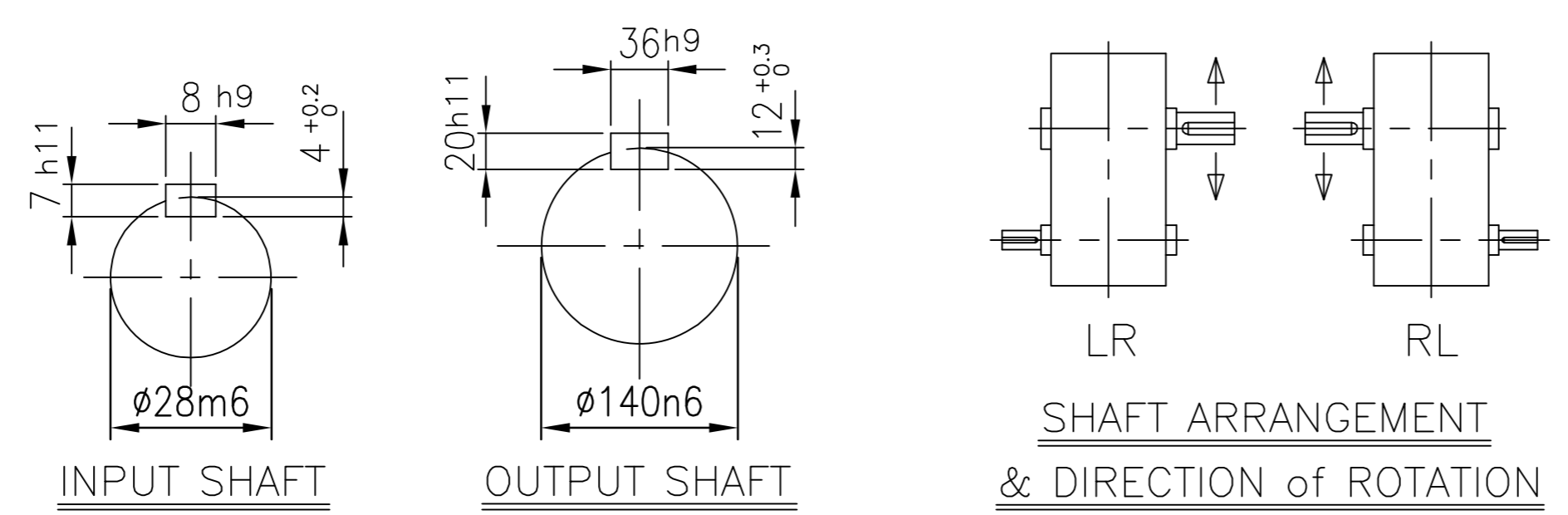
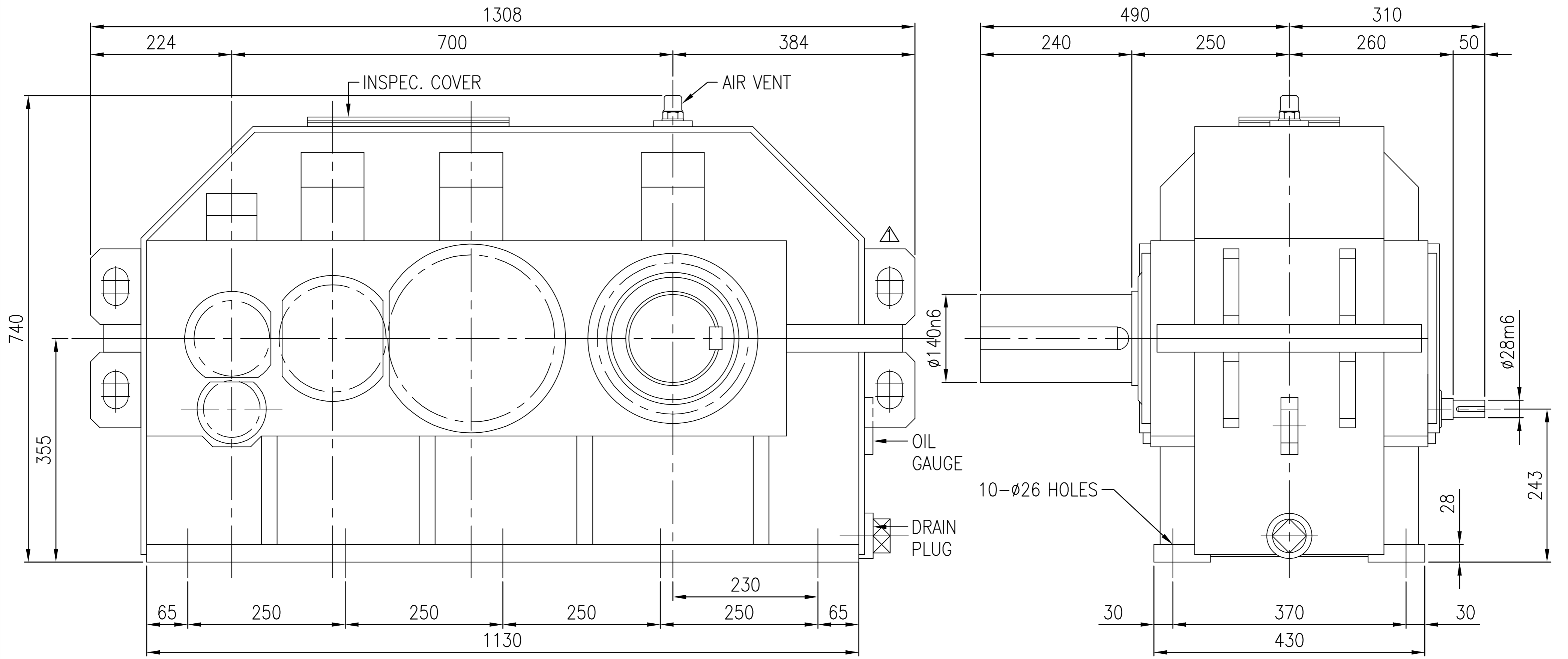


No.	NAME	MATERIAL	DWG/MATL No.	CODE	Q'TY	SIZE	WEIGHT	REMARK
-----	------	----------	--------------	------	------	------	--------	--------



DWG NAME		기어박스 외형도 DIMENSION			
2013.09.26	CHANGED LIFTING LUG	DWG No. EK1D000147		UNIT	mm
No.	DATE	DESIGNED	CHECKED	REVIEWED	APPROVED
		2013.10.24	2013.10.24		2013.10.24
		박선희	서성민		김기동
FORM		HYOSUNG		REVISION NO.	01
CE-14-0100-442		ITEM		PROJECTION	☉
2012.02.08		SHD32 (i=315~500)		REF. NO.	DSKEN588