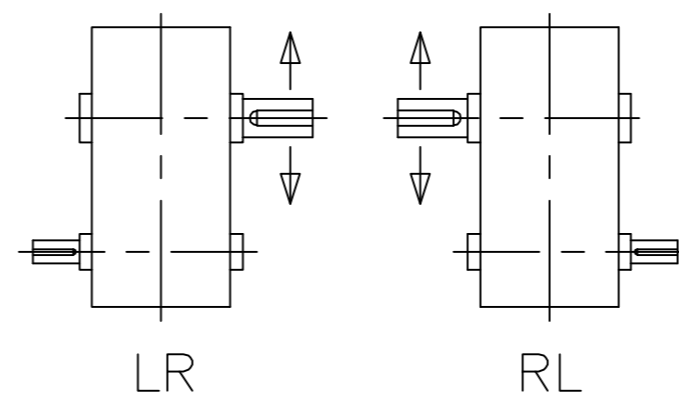
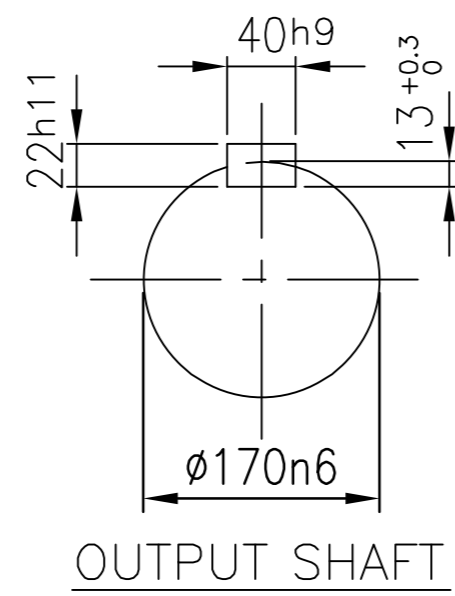
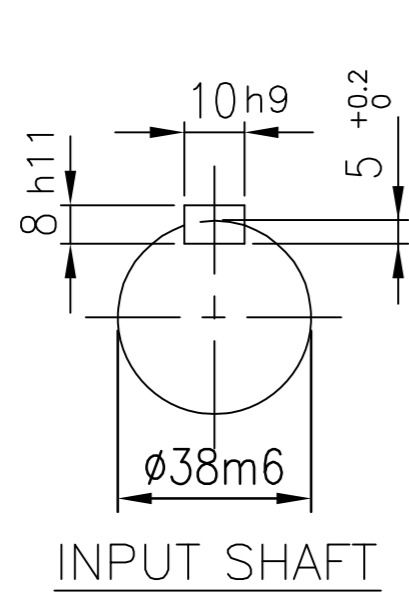
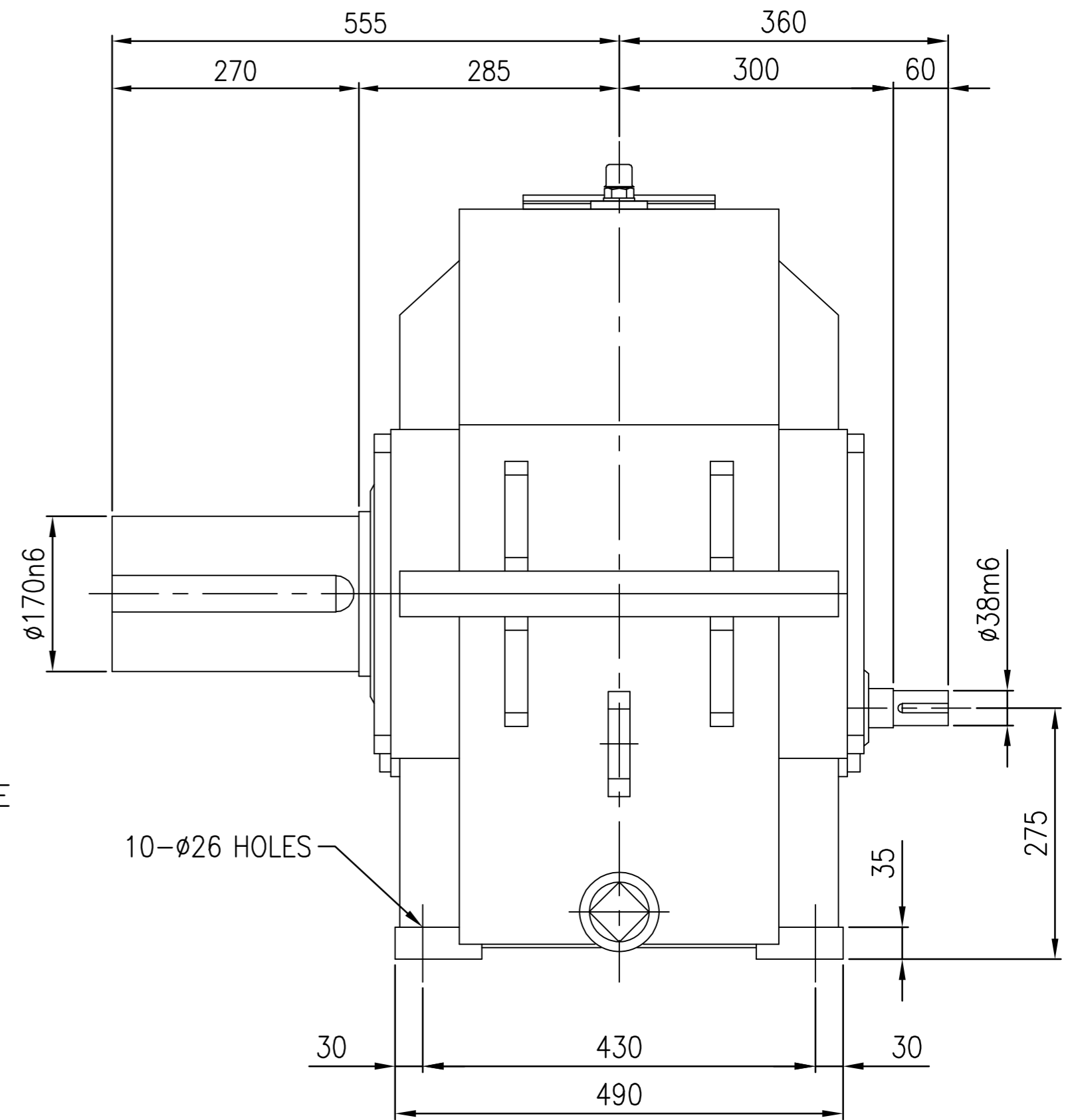
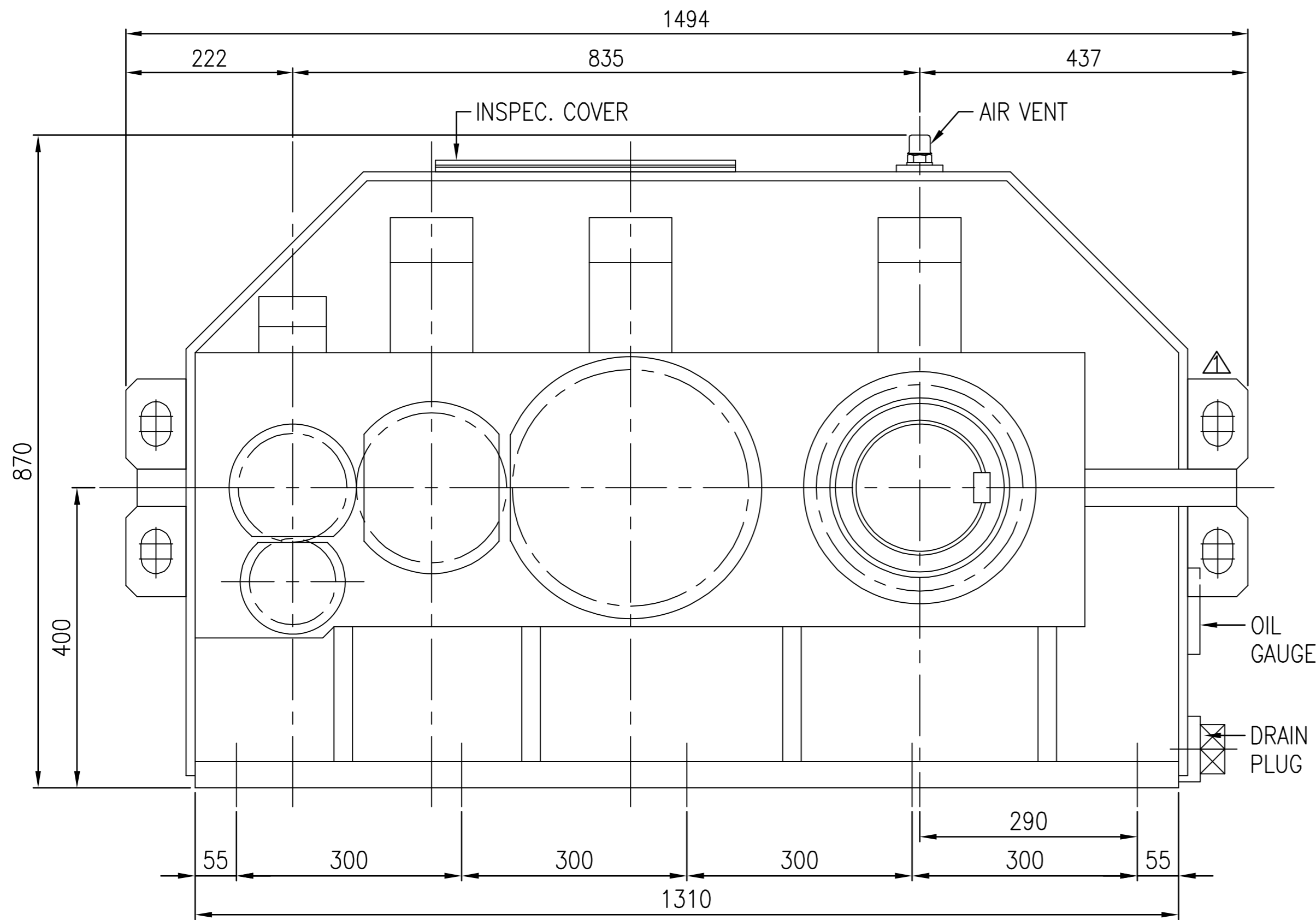


No.	NAME	MATERIAL	DWG/MATL No.	CODE	Q'TY	SIZE	WEIGHT	REMARK
-----	------	----------	--------------	------	------	------	--------	--------



SHAFT ARRANGEMENT
& DIRECTION of ROTATION

DWG NAME		기어박스 외형도 DIMENSION						
No.	DATE	DESCRIPTION of REVISION	DESIGNED	CHECKED	REVIEWED	APPROVED	DATE	2013-09-26
2013.09.26		CHANGED LIFTING LUG	EY		EK1D000148		UNIT	mm
							SCALE	1:5.5
			2013.10.24		2013.10.24		REVISION NO. 01	
			박선향		서성민		PROJECTION	
			김기동					
FORM		SHD38 (i=112~280)		REF. NO.		DSKEN589		(A)
CE-14-0100-442								
2012.02.08								