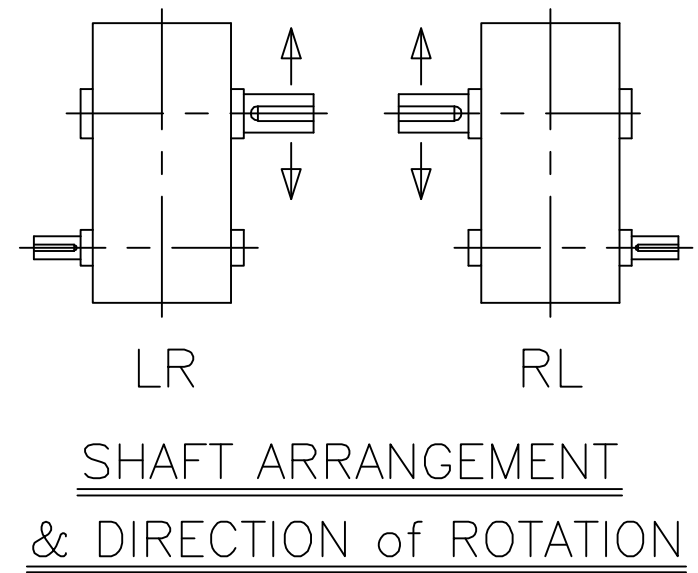
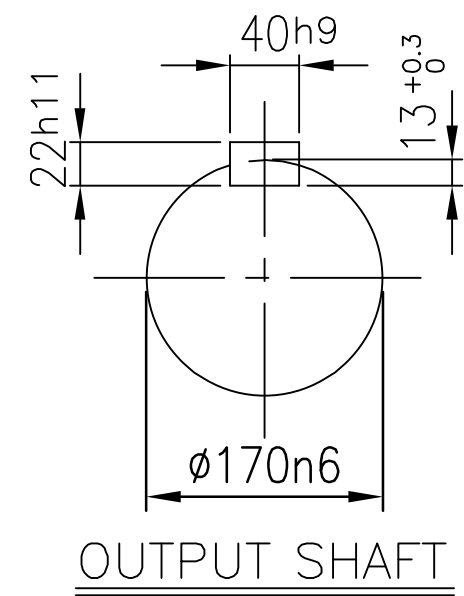
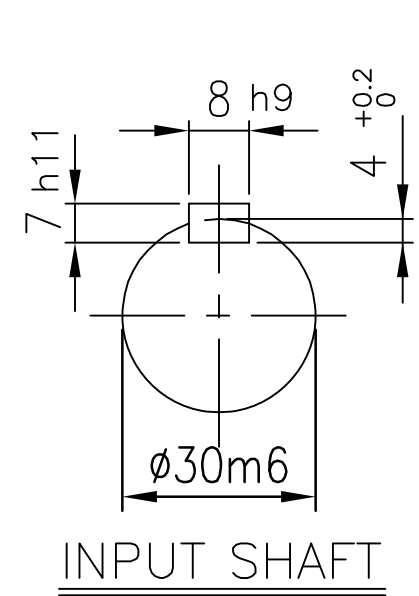
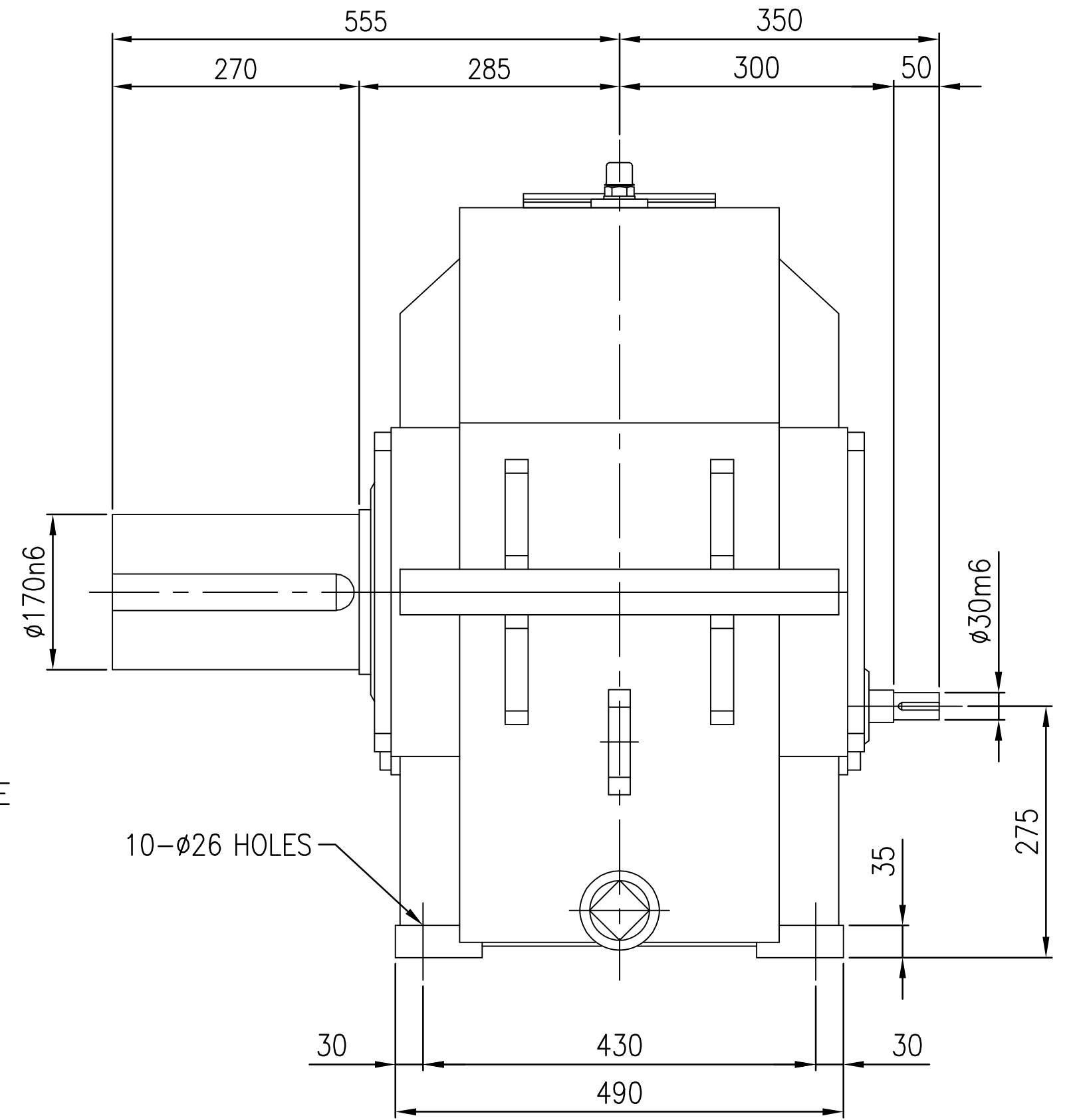
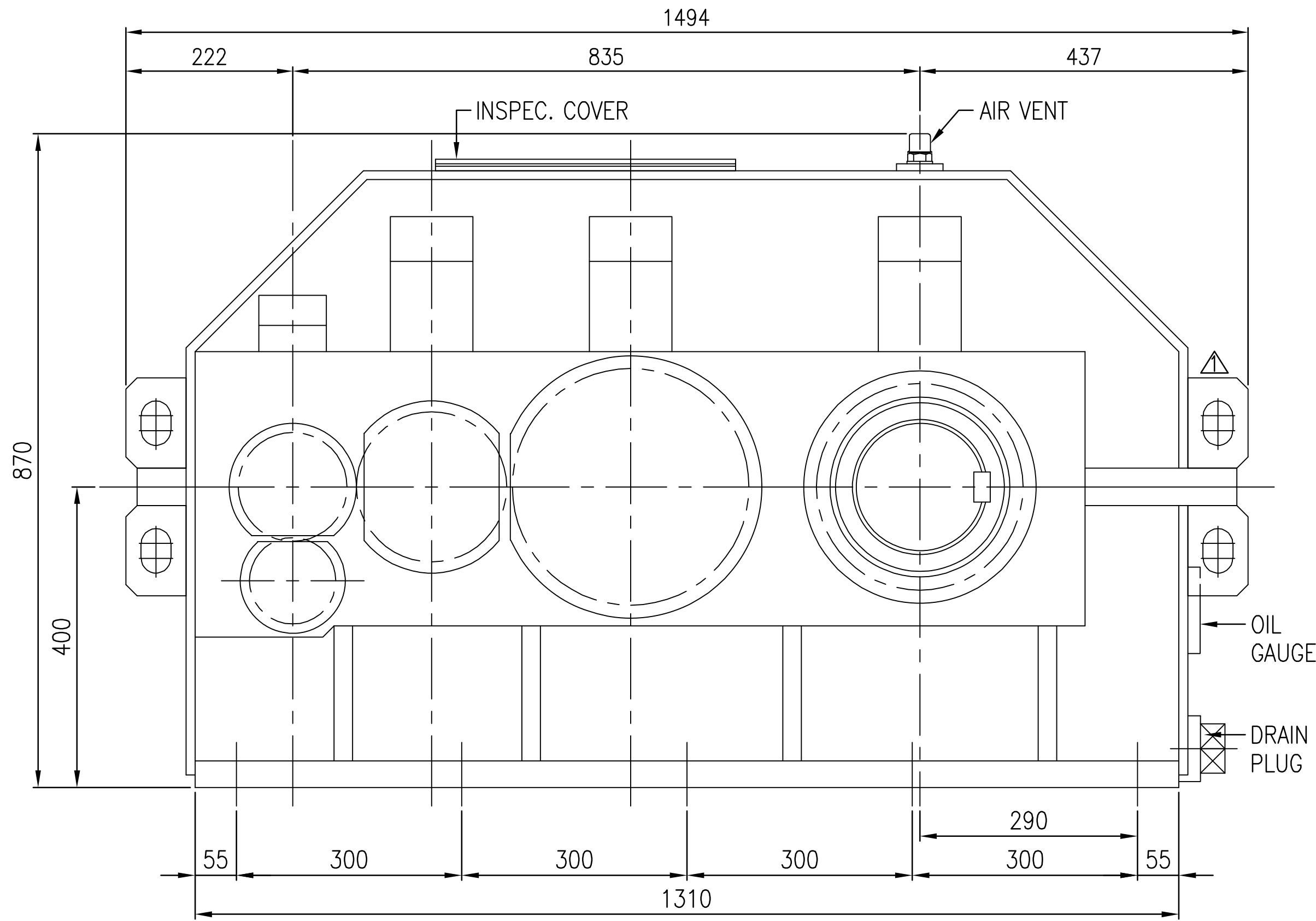


No.	NAME	MATERIAL	DWG/MATL No.	CODE	Q'TY	SIZE	WEIGHT	REMARK
-----	------	----------	--------------	------	------	------	--------	--------



FORM		DWG NAME		기어박스 외형도	
CE-14-0100-442		DIMENSION		EK1DO00149	
2012.02.08		UNIT		mm	
2013.09.26		SCALE		1:5.5	
CHANGED LIFTING LUG		DESIGNED	CHECKED	REVIEWED	APPROVED
DESCRIPTION of REVISION		2013.10.24	2013.10.24		2013.10.24
2013.10.24		REVISION NO.		01	
2012.02.08		PROJECTION		A	
HYOSUNG		REF. NO.		DSKEN590	
ITEM		SHD38 (i=315~500)			