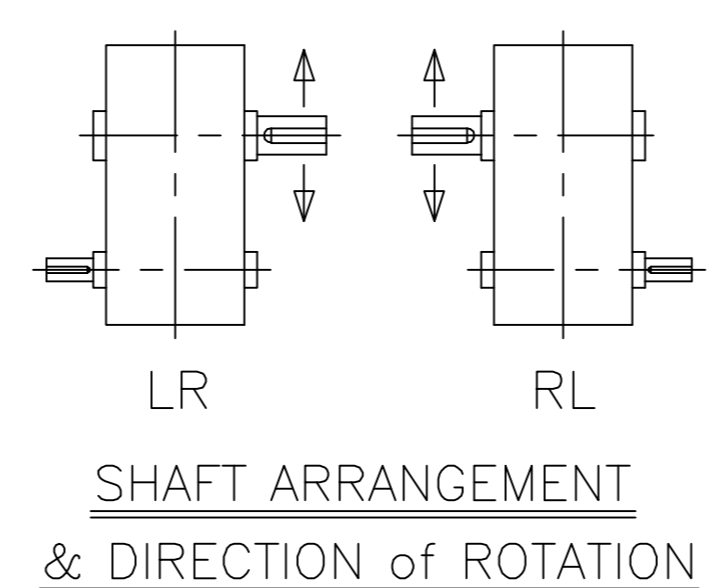
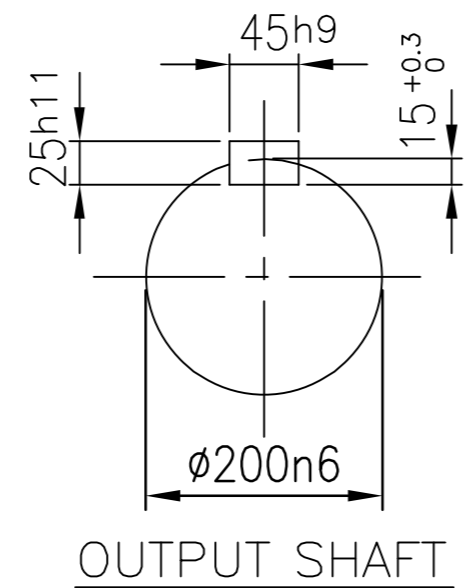
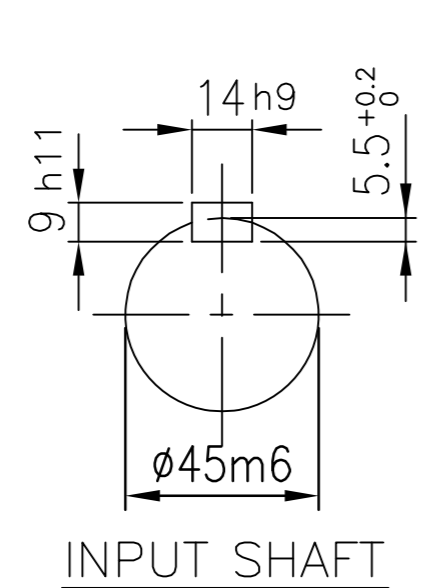
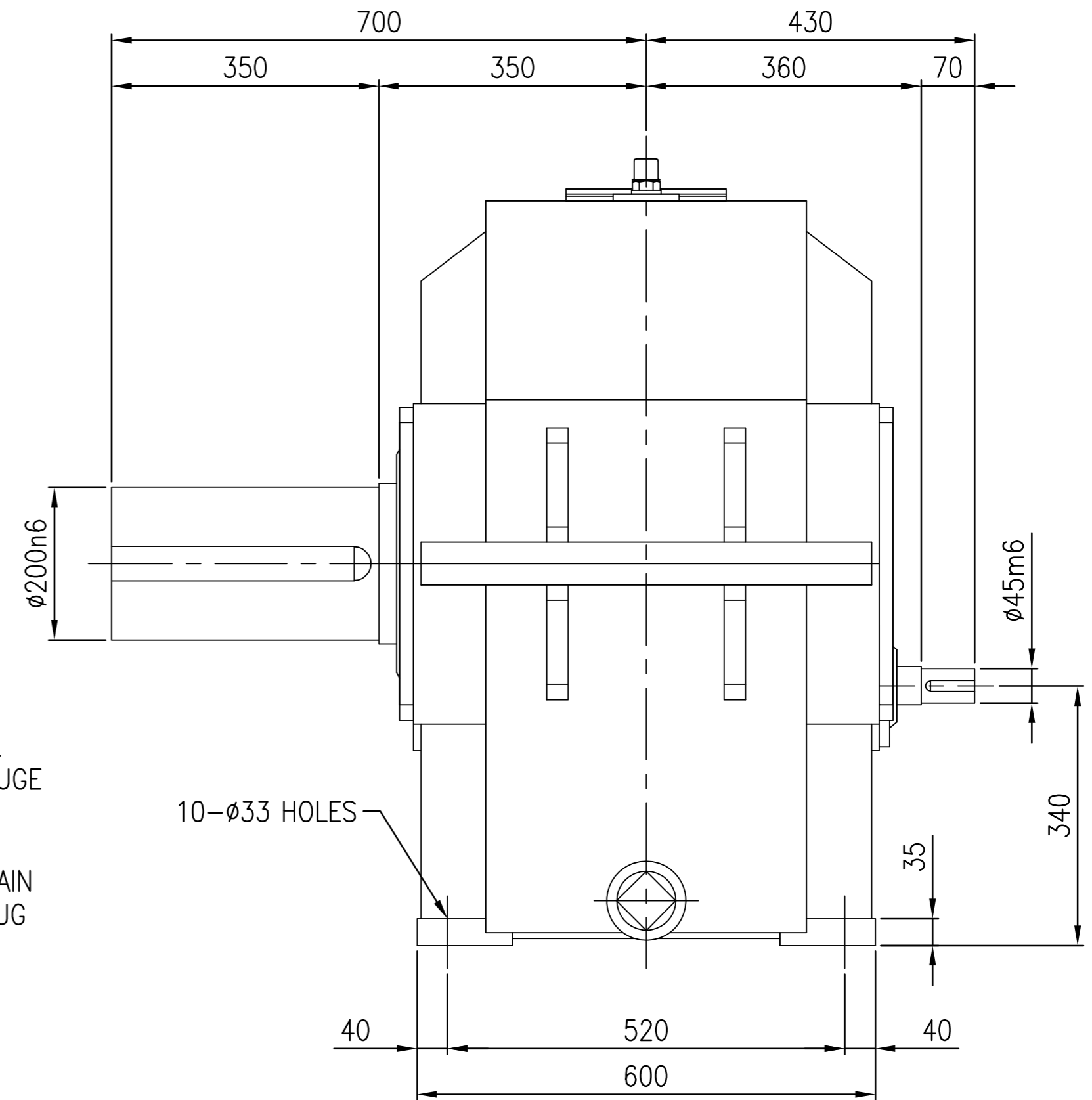
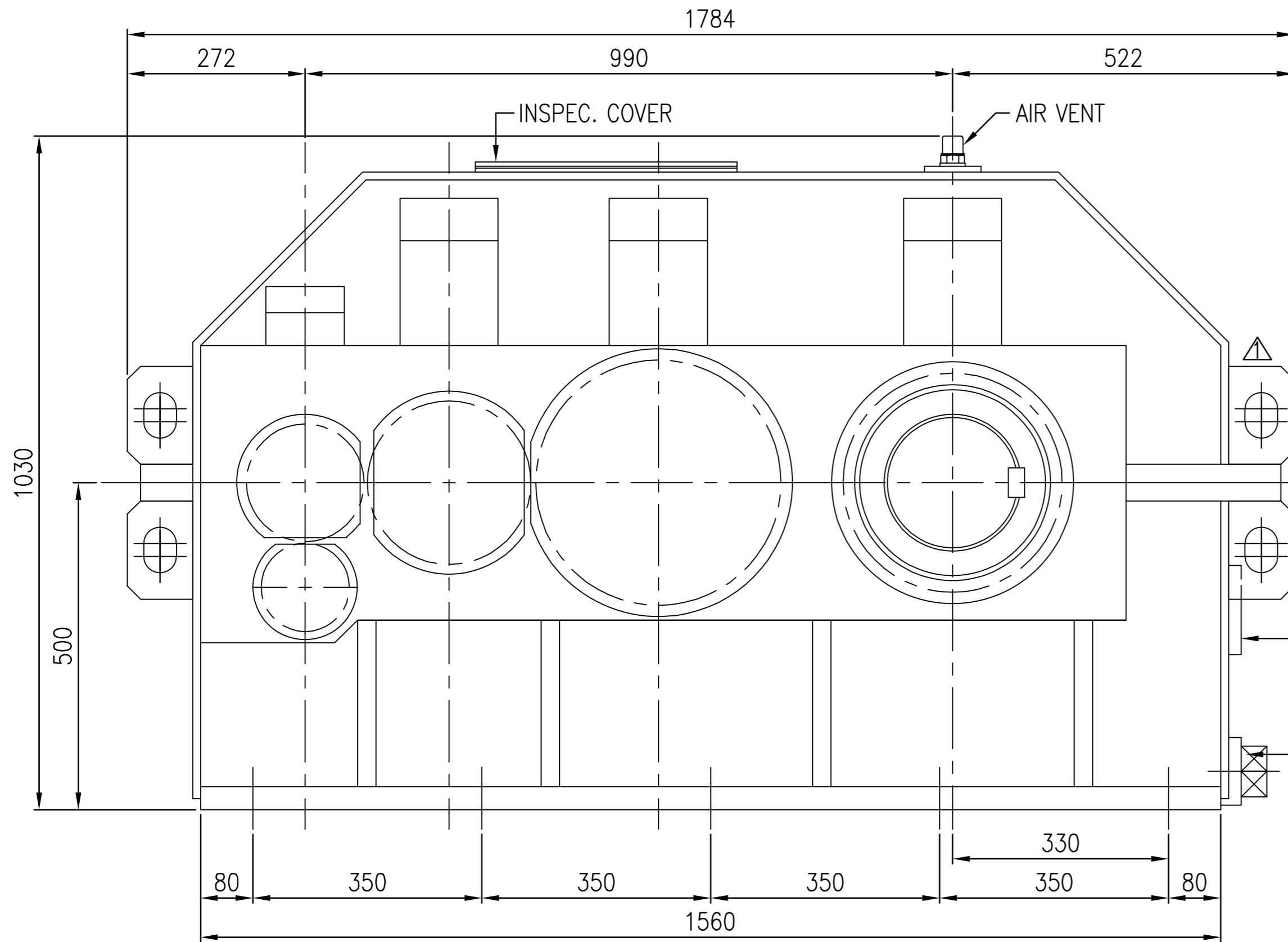


No.	NAME	MATERIAL	DWG/MATL No.	CODE	Q'TY	SIZE	WEIGHT	REMARK
-----	------	----------	--------------	------	------	------	--------	--------



DWG NAME		기어박스 외형도 DIMENSION			
2013.09.26	CHANGED LIFTING LUG	DWG No. EK1D000150		UNIT	mm
No.	DATE	DESIGNED	CHECKED	REVIEWED	APPROVED
1	2013.10.24	박선희	서성민		2013.10.24
FORM CE-14-0100-442 2012.02.08		HYOSUNG		REVISION NO.	01
ITEM SHD45 (i=112~280)		REF. NO.		DSKEN591	(A)