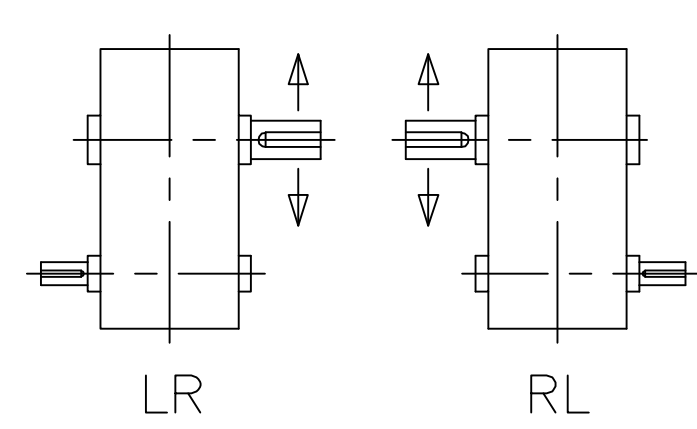
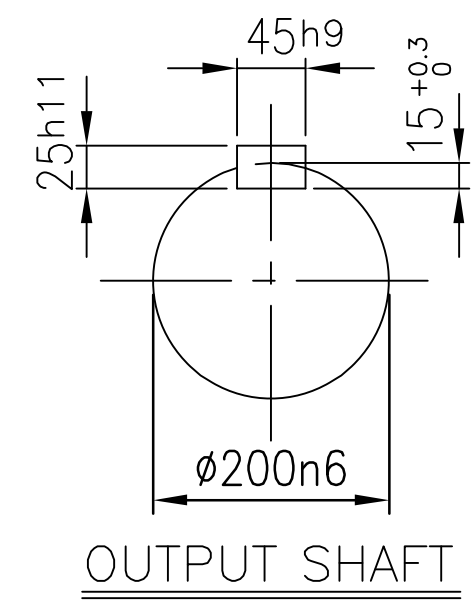
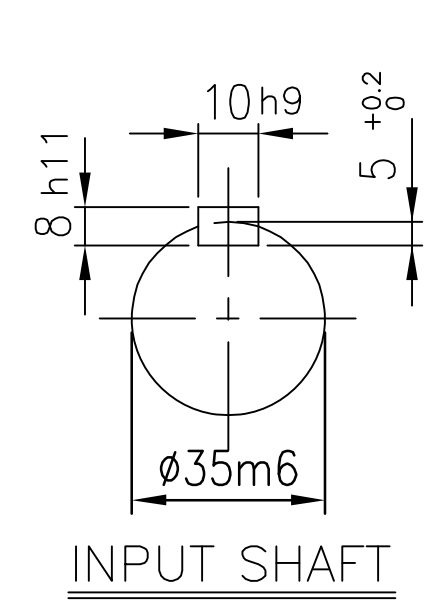
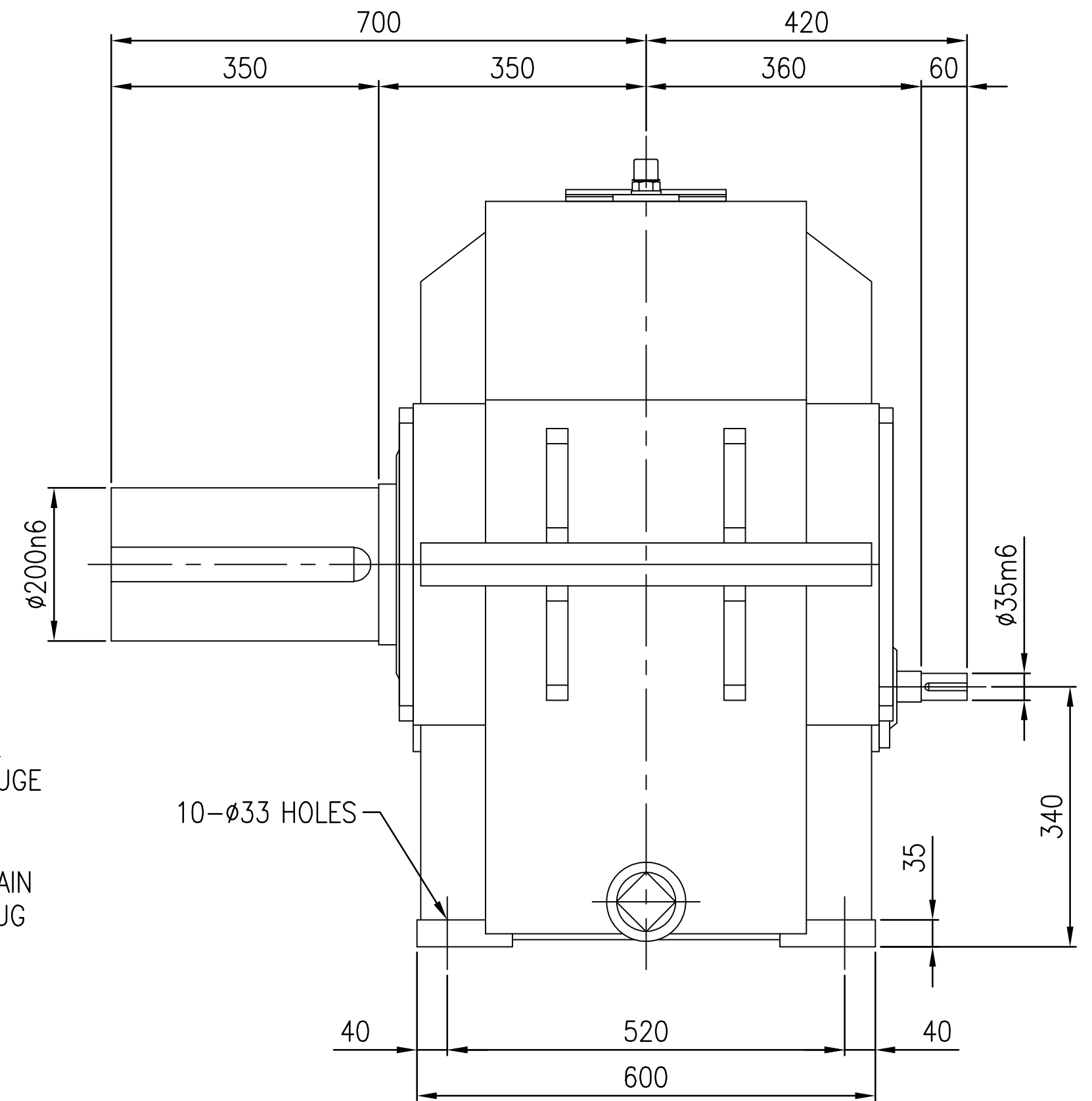
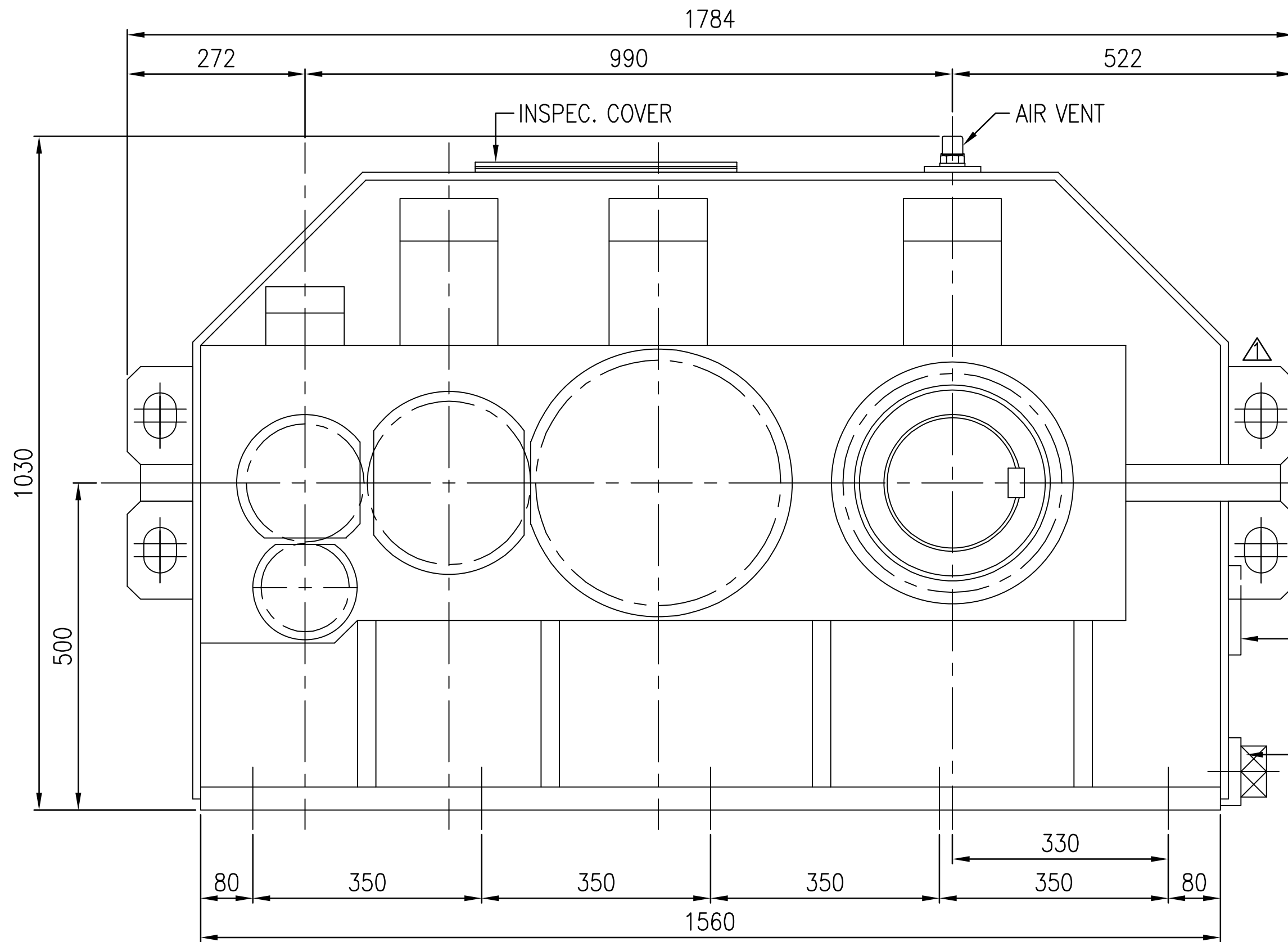


| No. | NAME | MATERIAL | DWG/MATL No. | CODE | Q'TY | SIZE | WEIGHT | REMARK |
|-----|------|----------|--------------|------|------|------|--------|--------|
|-----|------|----------|--------------|------|------|------|--------|--------|



SHAFT ARRANGEMENT  
& DIRECTION of ROTATION

|                |      |                         |          |            |          |            |      |              |    |
|----------------|------|-------------------------|----------|------------|----------|------------|------|--------------|----|
| DWG NAME       |      | 기어박스 외형도                |          |            |          |            |      |              |    |
| DIMENSION      |      | DIMENSION               |          |            |          |            |      |              |    |
| DWG No.        |      | EKG1D000151             |          | UNIT       | mm       |            |      |              |    |
| SCALE          |      | 1:6.5                   |          |            |          |            |      |              |    |
| No.            | DATE | DESCRIPTION of REVISION | DESIGNED | CHECKED    | REVIEWED | APPROVED   | DATE | 2013-09-26   |    |
| FORM           |      | HYOSUNG                 |          | 2013.10.24 |          | 2013.10.24 |      | REVISION NO. | 01 |
| CE-14-0100-442 |      | 박선향                     |          | 서성민        |          | 김기동        |      | PROJECTION   | ☉  |
| 2012.02.06     |      | SHD45 (i=315~500)       |          | REF. NO.   |          | DSKEN592   |      | (A)          |    |