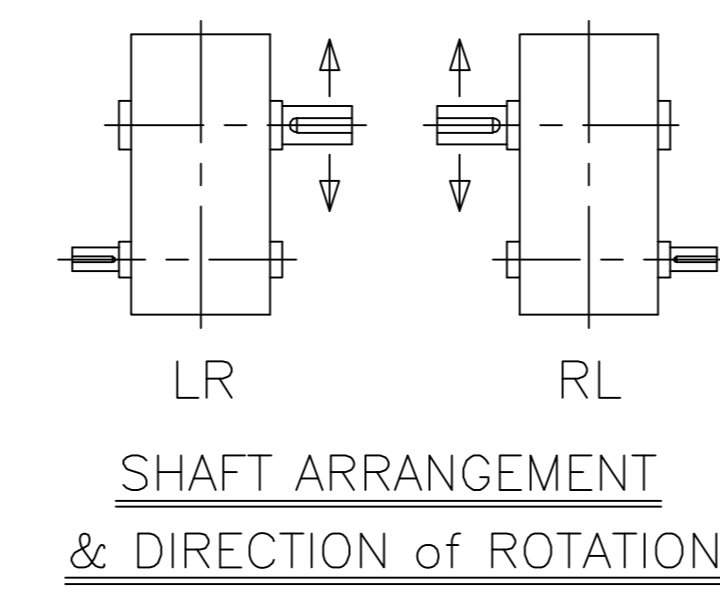
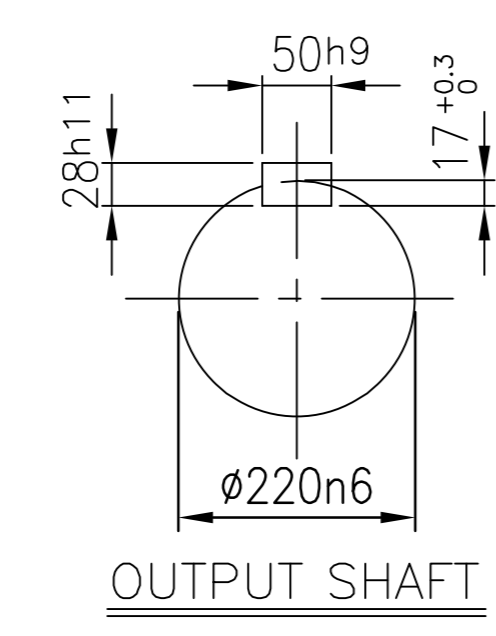
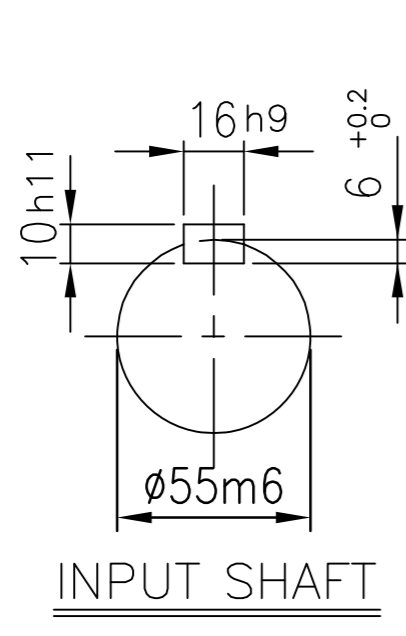
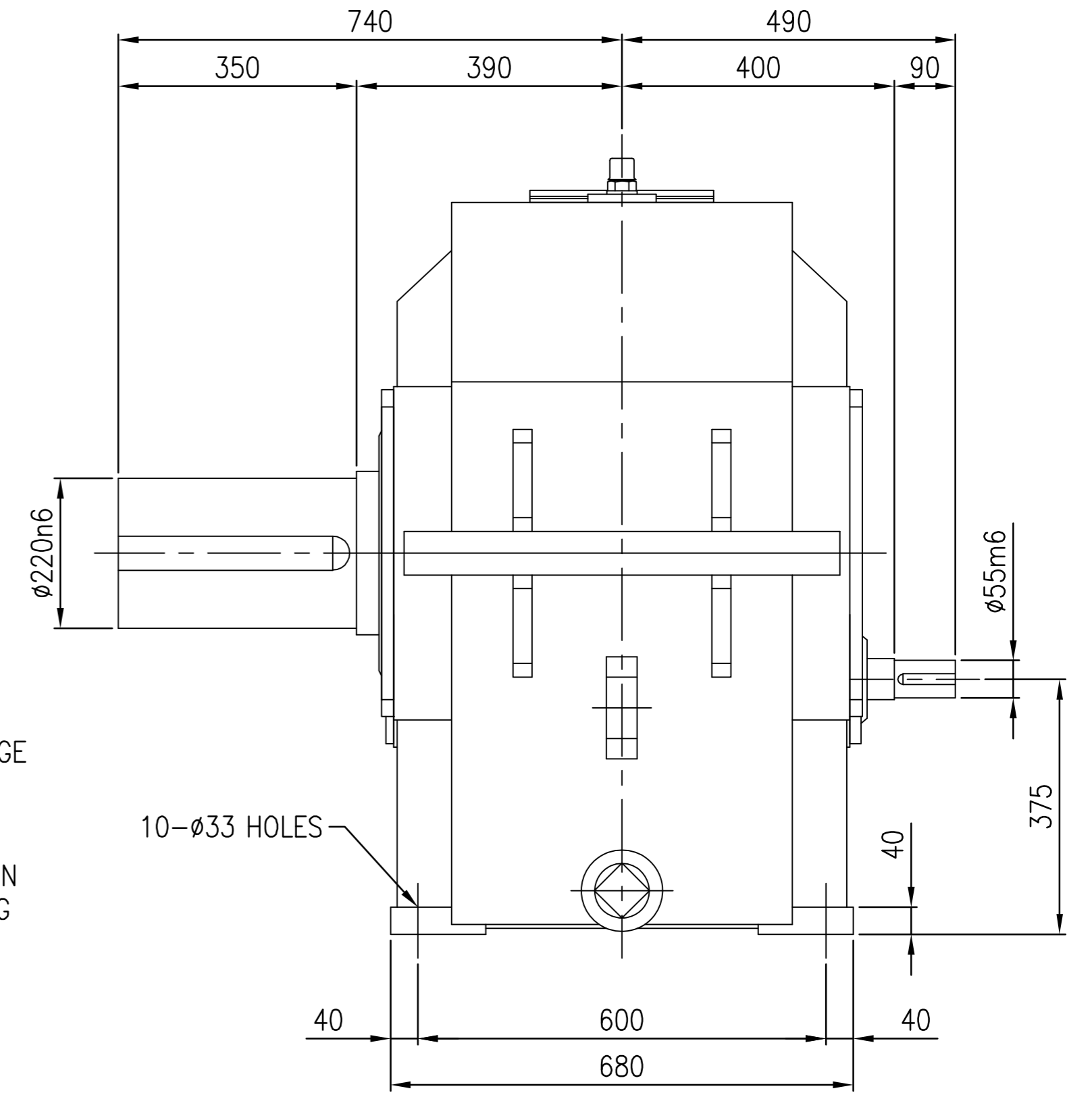
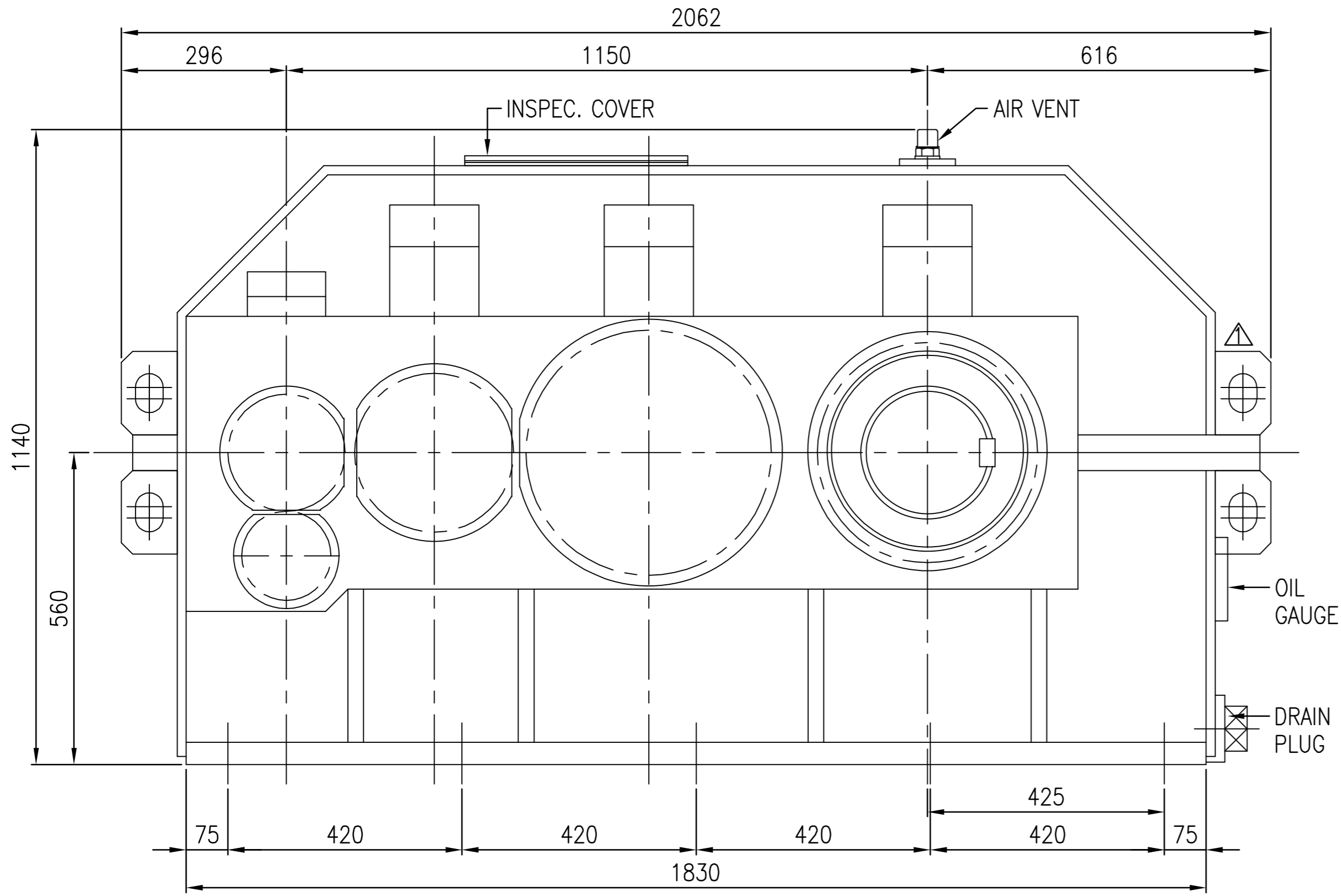


No.	NAME	MATERIAL	DWG/MATL No.	CODE	Q'TY	SIZE	WEIGHT	REMARK
-----	------	----------	--------------	------	------	------	--------	--------



DWG NAME		기어박스 외형도 DIMENSION			
2013.09.26		CHANGED LIFTING LUG		DWG No.	EK1D000152
No.	DATE	DESIGNER	CHECKED	REVIEWED	APPROVED
1	2013.10.24	박선향	서성민		2013.10.24
FORM		HYOSUNG		REVISION NO.	01
CE-14-0100-442		SHD50 (i=112~280)		PROJECTION	☉
DATE		2012.02.08		REF. NO.	DSKEN593
ITEM		SHD50 (i=112~280)		A	