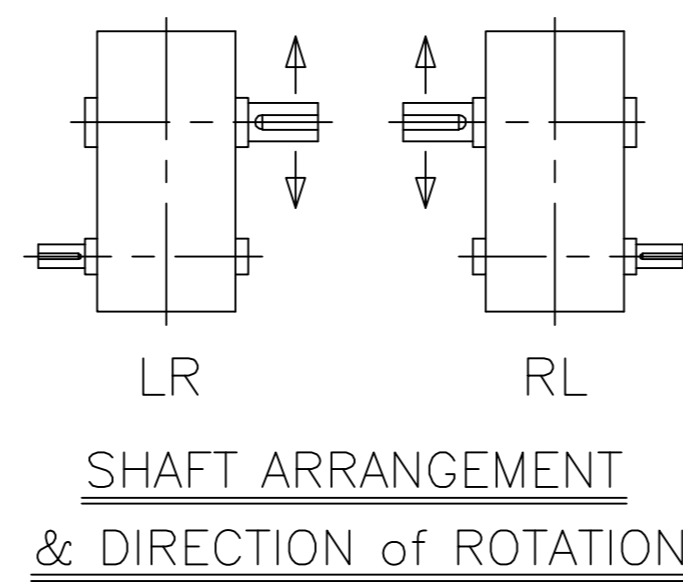
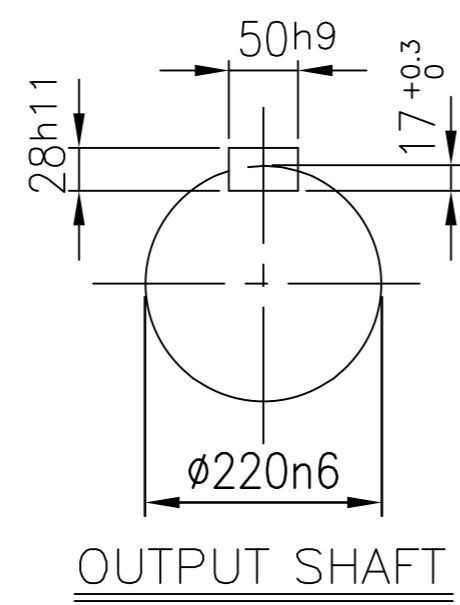
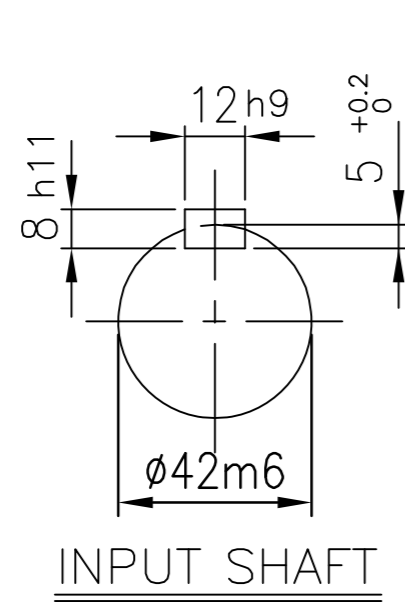
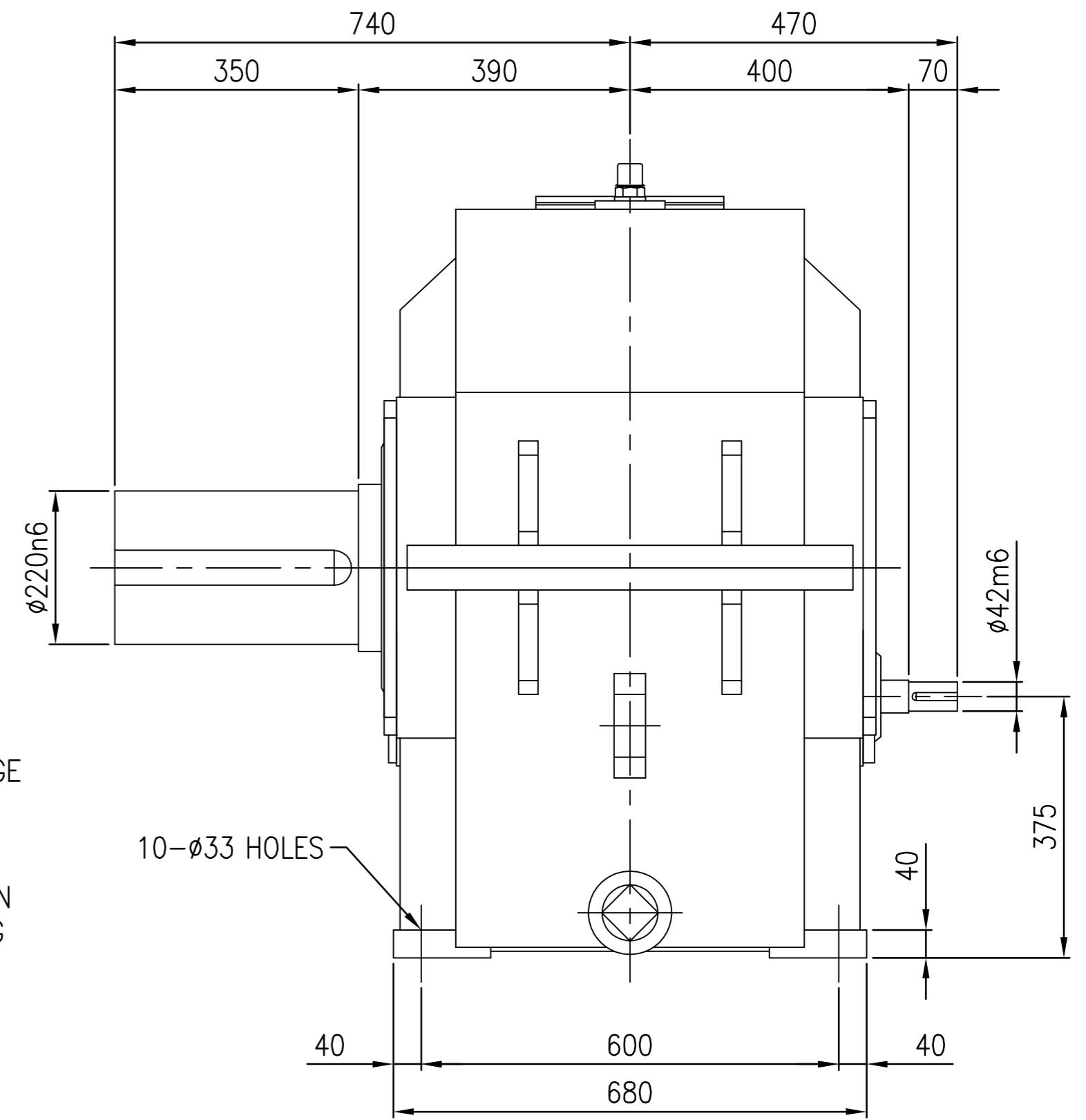
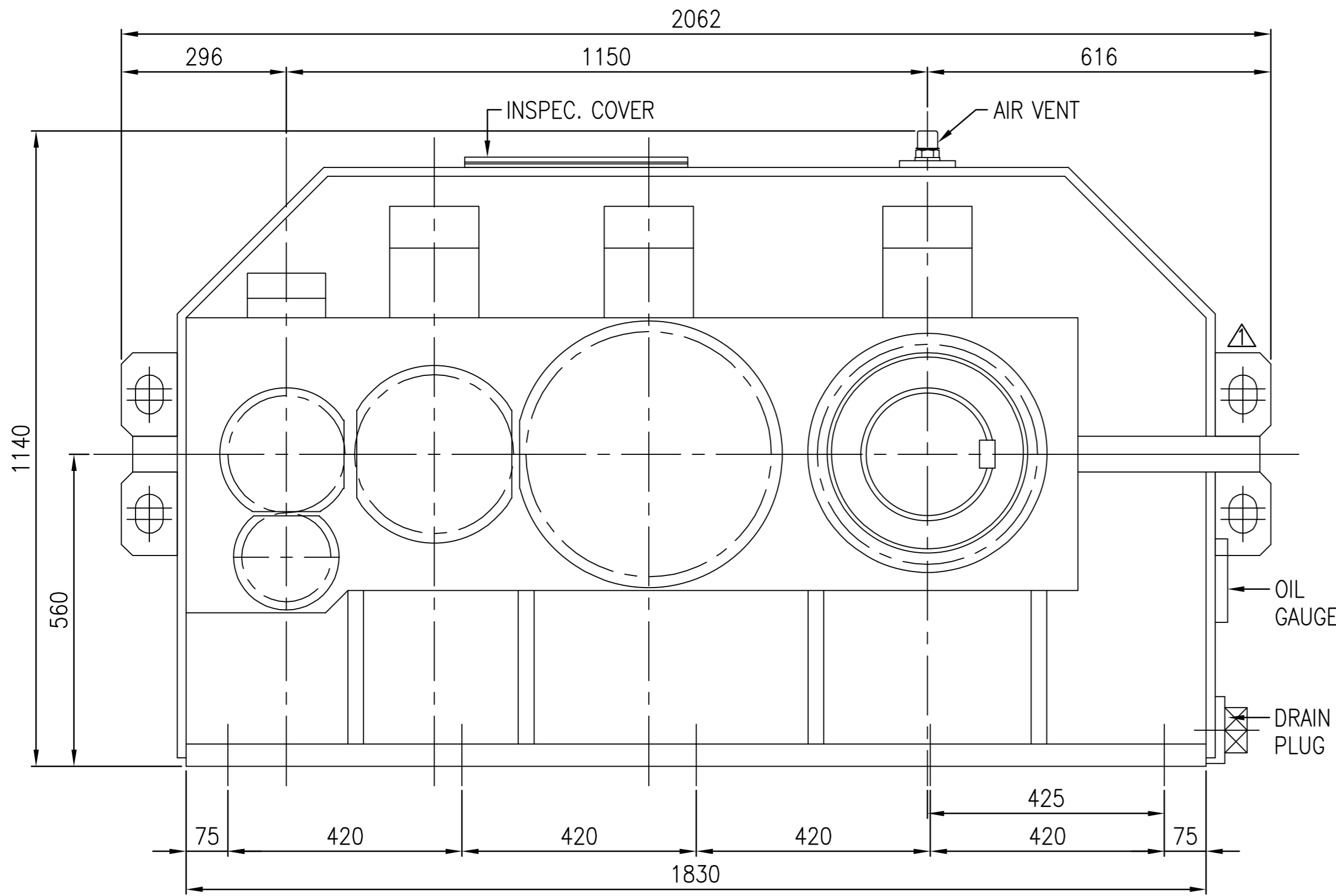


No.	NAME	MATERIAL	DWG/MATL No.	CODE	Q'TY	SIZE	WEIGHT	REMARK
-----	------	----------	--------------	------	------	------	--------	--------



DWG NAME		기어박스 외형도 DIMENSION			
2013.09.26	CHANGED LIFTING LUG	DWG No. <b>EK1D000153</b>		UNIT	mm
No.	DATE	DESIGNED	CHECKED	REVIEWED	APPROVED
		박선헌	서성민		김기동
FORM		REVISION NO.		DATE	
CE-14-0100-442		01		2013-06-26	
2012.02.08		PROJECTION			
ITEM		REF. NO.		DATE	
SHD50 (i=315~500)		DSKEN594			