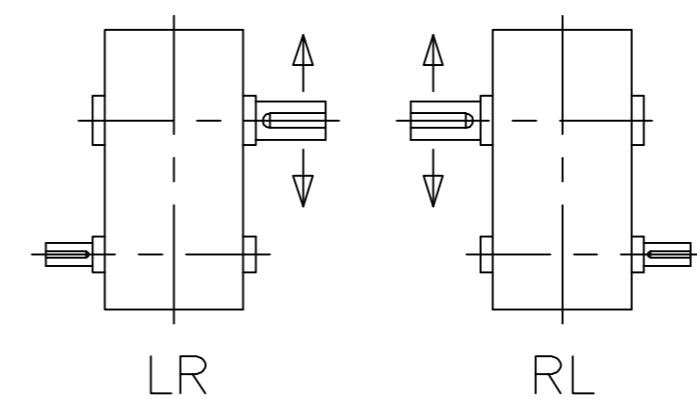
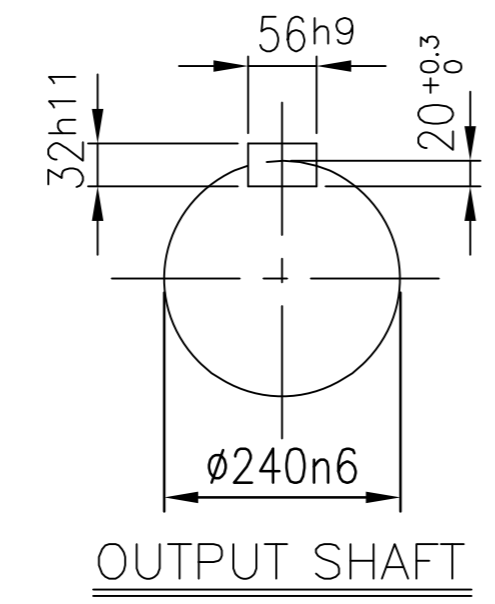
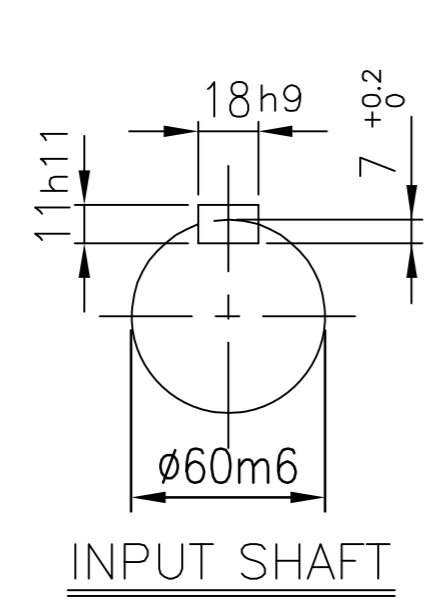
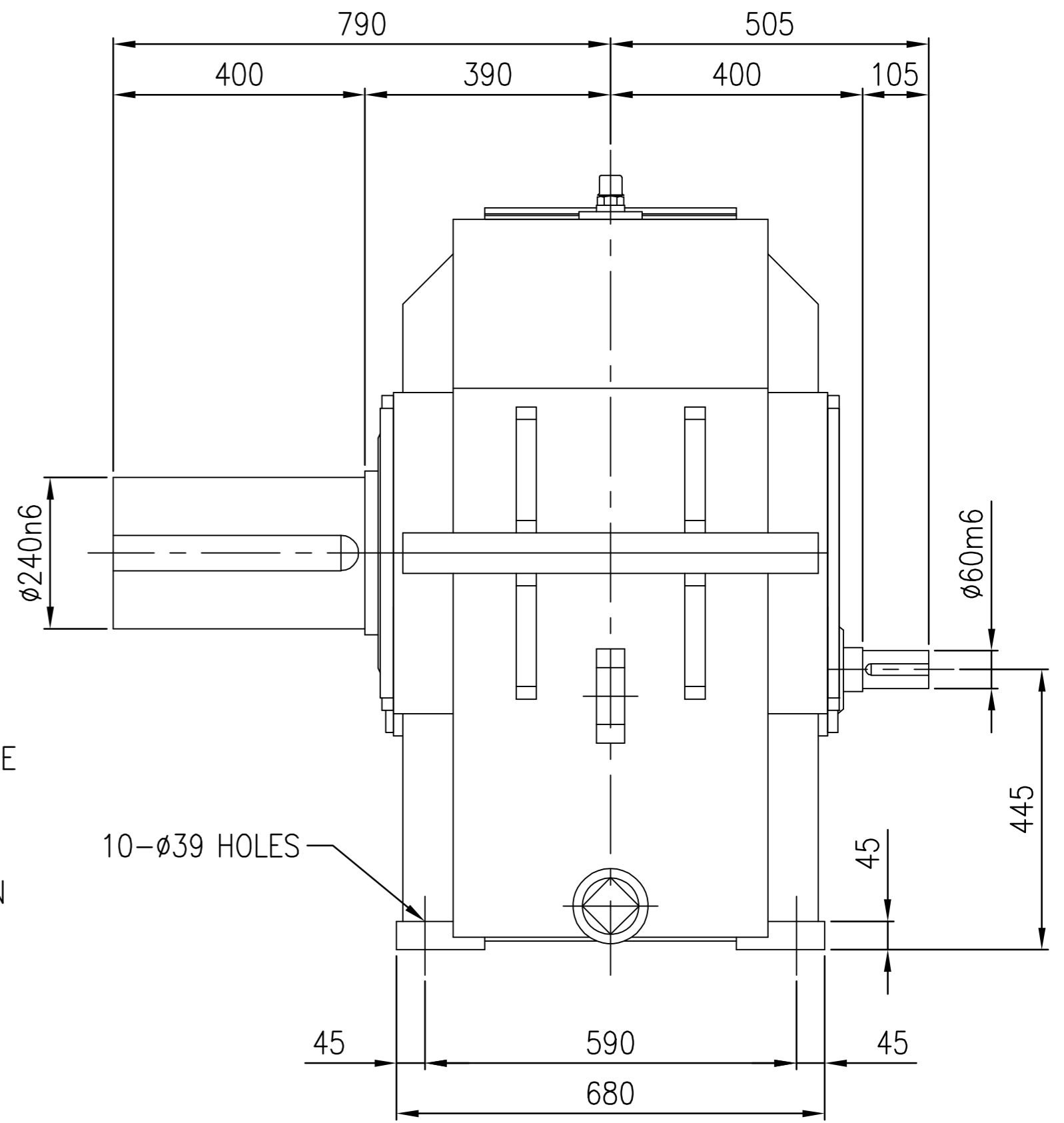
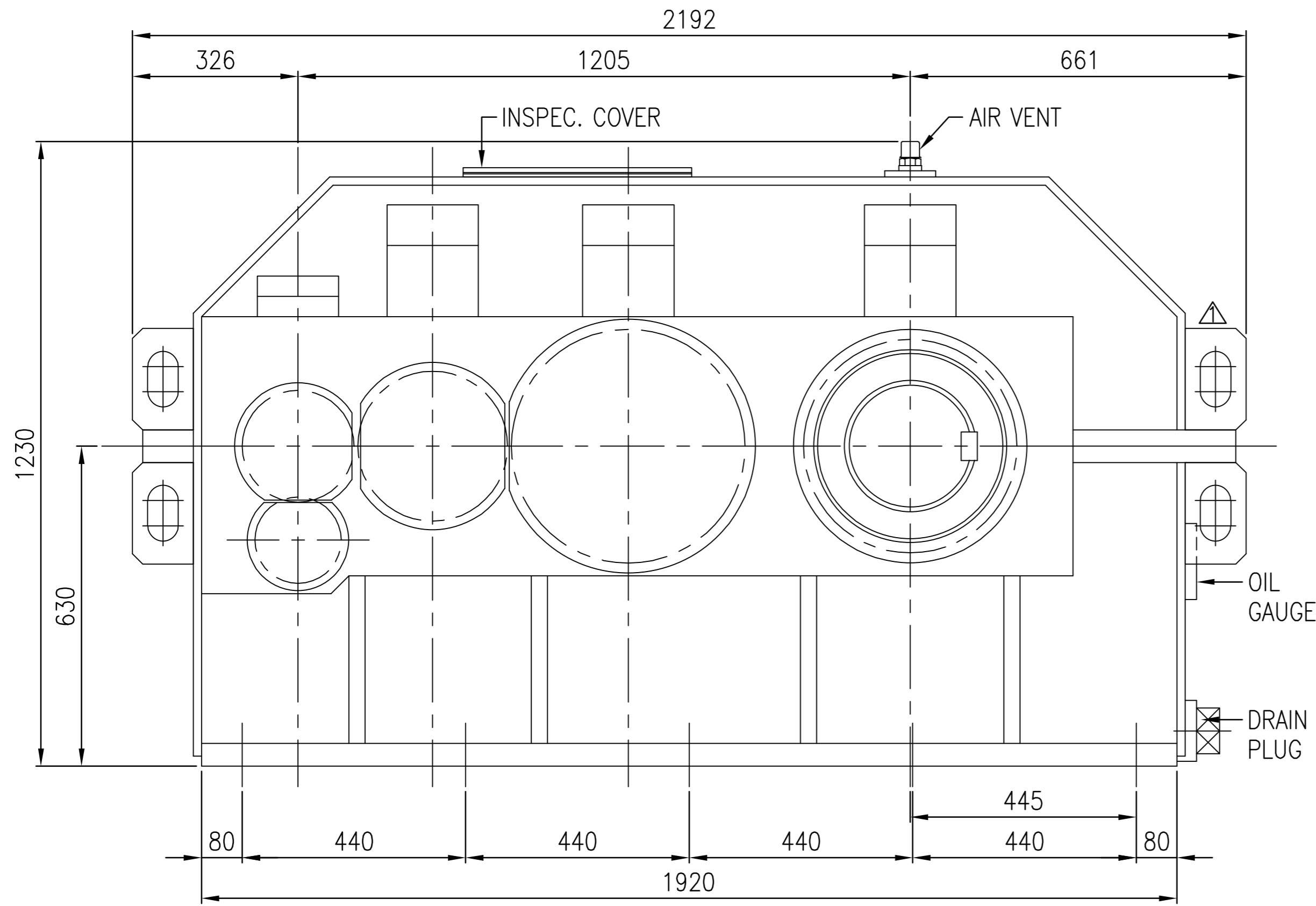


| No. | NAME | MATERIAL | DWG/MATL No. | CODE | Q'TY | SIZE | WEIGHT | REMARK |
|-----|------|----------|--------------|------|------|------|--------|--------|
|-----|------|----------|--------------|------|------|------|--------|--------|



SHAFT ARRANGEMENT  
& DIRECTION of ROTATION

| DWG NAME   |                     | 기어박스 외형도<br>DIMENSION     |          |              |            |
|------------|---------------------|---------------------------|----------|--------------|------------|
| 2013.09.26 | CHANGED LIFTING LUG | DWG No. <b>EK1D000154</b> |          | UNIT         | mm         |
| No.        | DATE                | DESCRIPTION of REVISION   | DESIGNED | CHECKED      | REVIEWED   |
| 1          | 2012.02.08          |                           | 박선향      | 서성민          | 김기동        |
| FORM       |                     | HYOSUNG                   |          | SCALE        | 1:8        |
| ITEM       |                     | SHD56 (i=112~280)         |          | DATE         | 2013-09-26 |
| REF. NO.   |                     | DSKEN595                  |          | REVISION NO. | 01         |
|            |                     |                           |          | PROJECTION   |            |