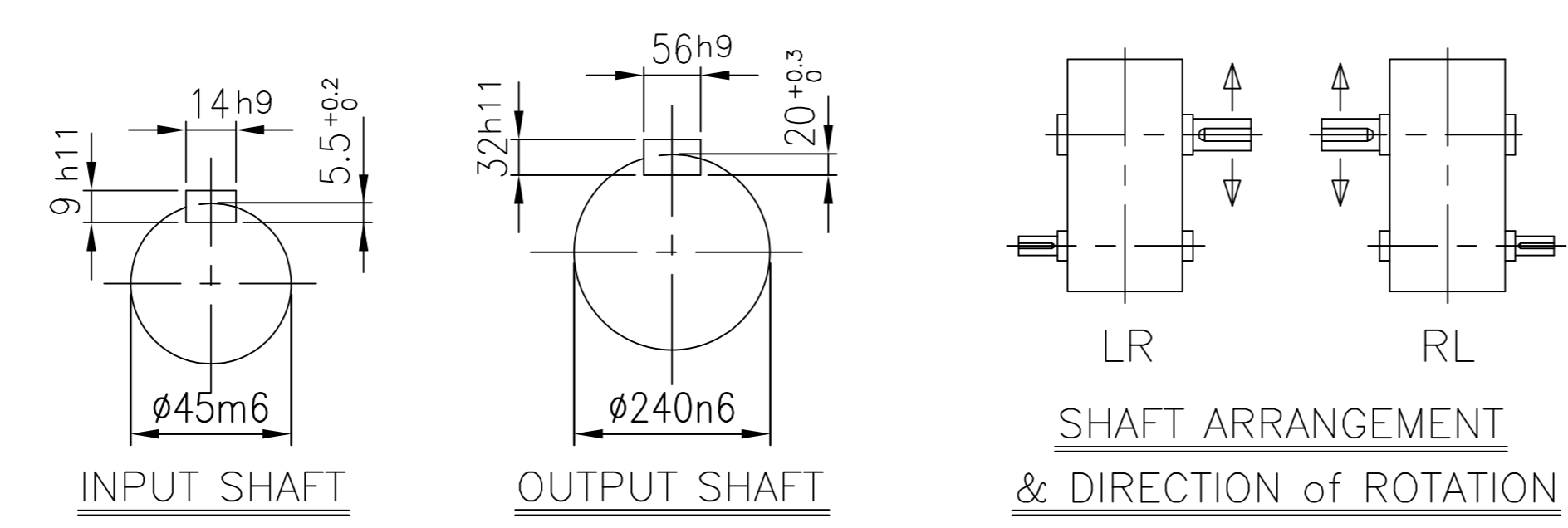
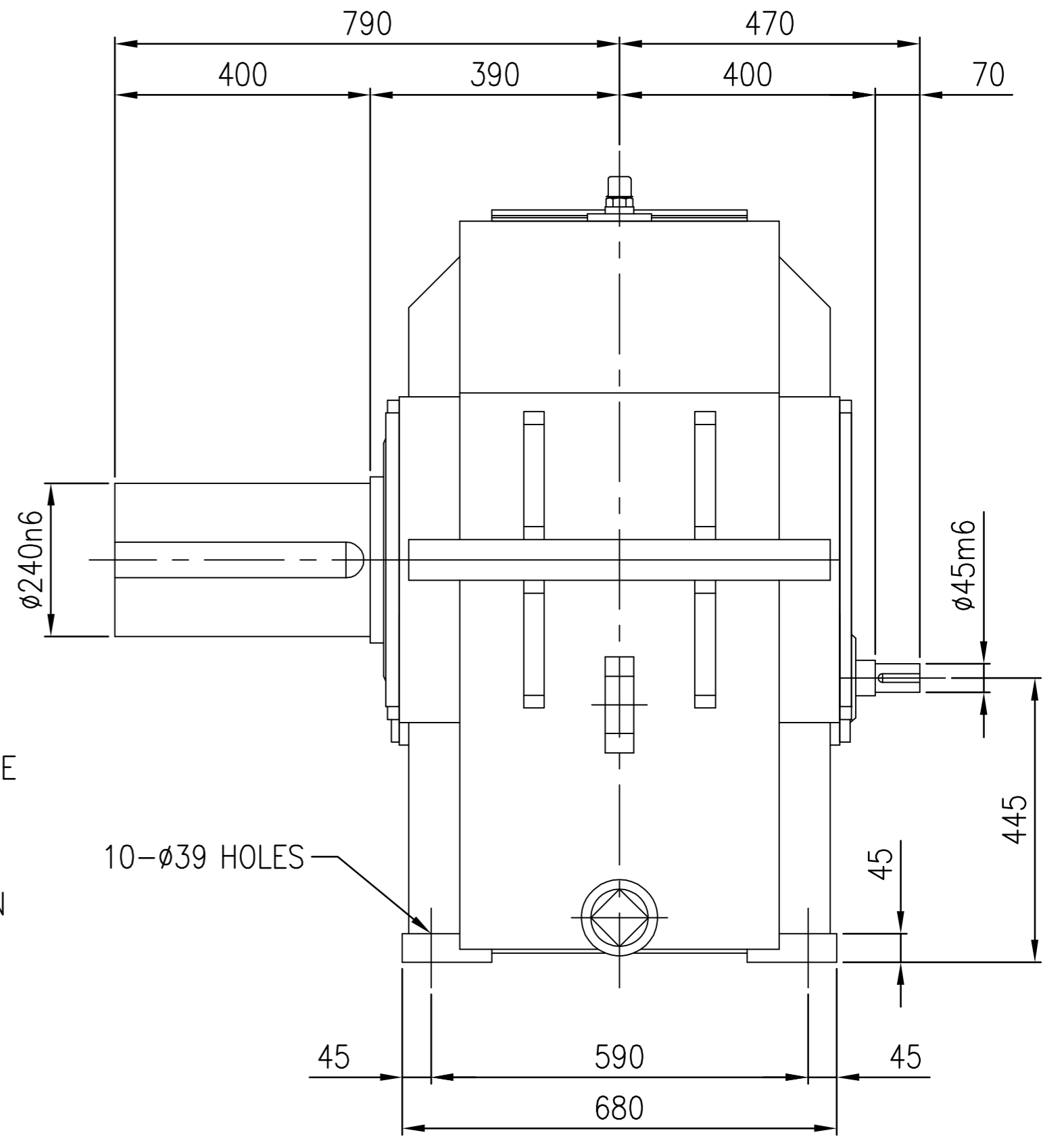
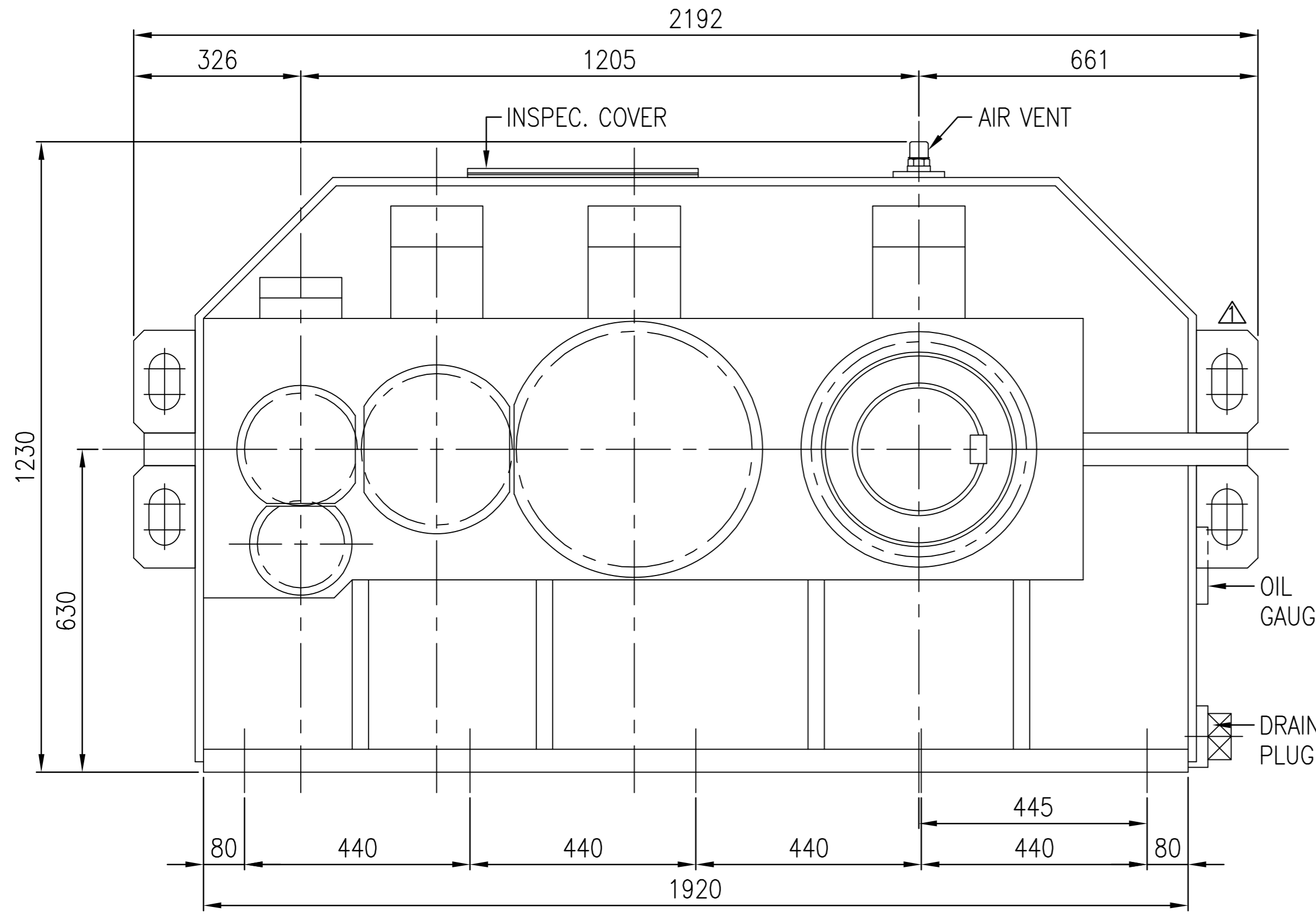


No.	NAME	MATERIAL	DWG/MATL No.	CODE	Q'TY	SIZE	WEIGHT	REMARK
-----	------	----------	--------------	------	------	------	--------	--------



DWG NAME		기어박스 외형도			
DIMENSION		DIMENSION			
2013.09.26	CHANGED LIFTING LUG	DWG No. <b>EK1D000155</b>		UNIT	mm
No.	DATE	DESIGNED	CHECKED	REVIEWED	APPROVED
		2013.10.24	2013.10.24		2013.10.24
		박선향	서성민		김기동
					REVISION NO. 01
					PROJECTION
FORM CE-14-0100-42 2012.02.08		HYOSUNG		REF. NO.	DSKEN596
ITEM SHD56 (i=315~500)					(A)