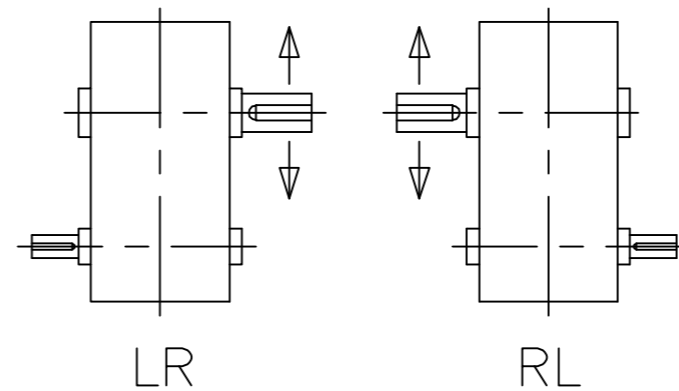
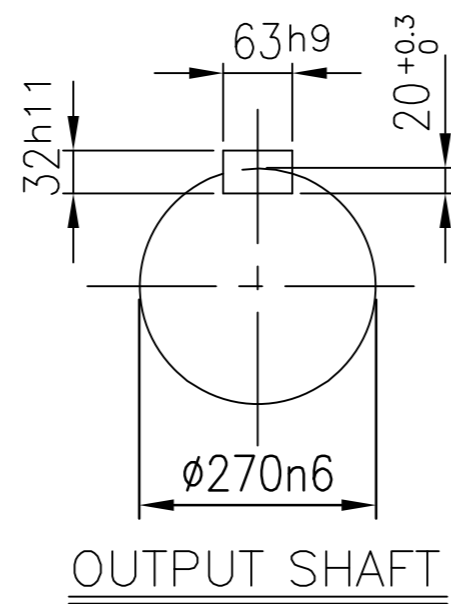
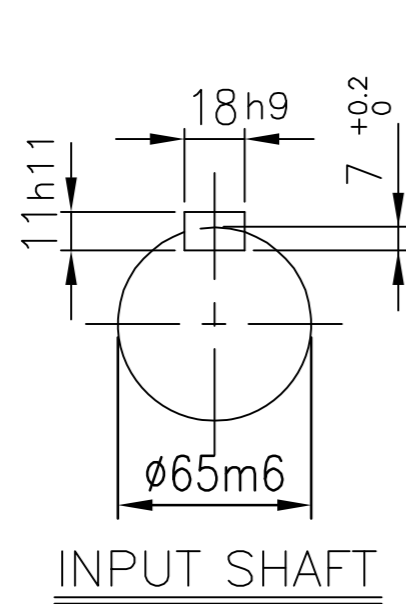
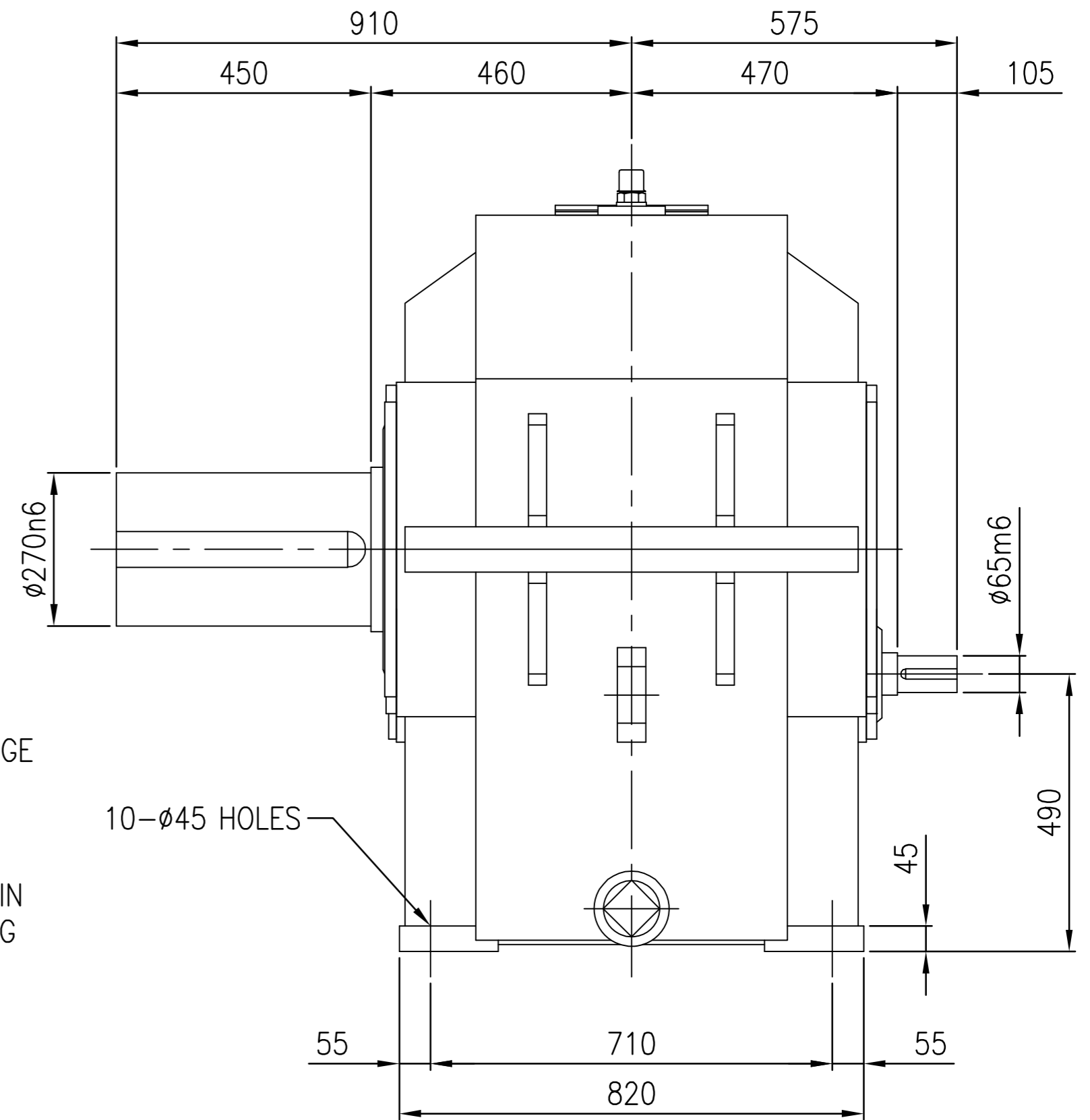
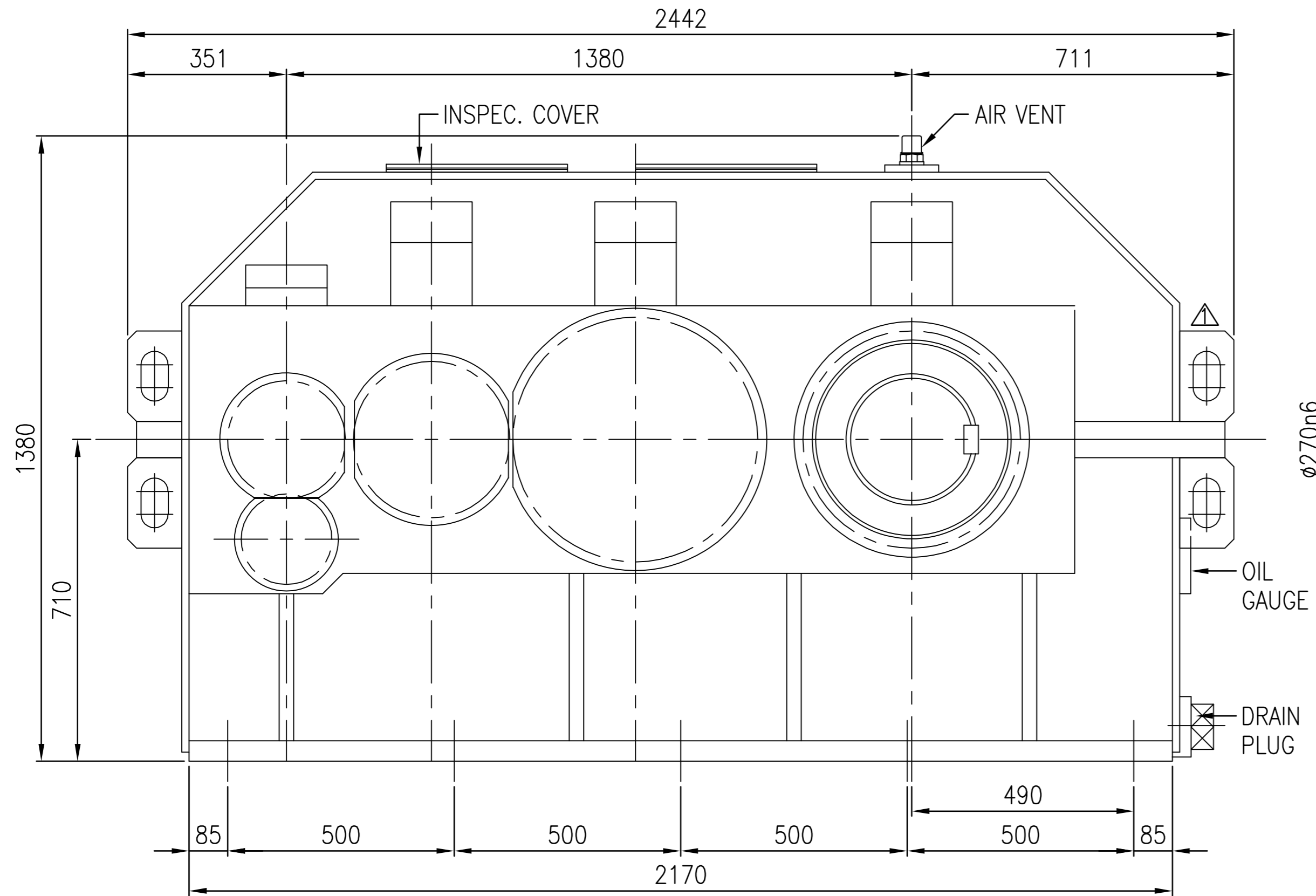


No.	NAME	MATERIAL	DWG/MATL No.	CODE	Q'TY	SIZE	WEIGHT	REMARK
-----	------	----------	--------------	------	------	------	--------	--------



SHAFT ARRANGEMENT & DIRECTION of ROTATION

DWG NAME		기어박스 외형도 DIMENSION						
No.	DATE	DESCRIPTION of REVISION	DESIGNED	CHECKED	REVIEWED	APPROVED	DATE	2013-09-26
FORM		DWG No.		EY		UNIT	mm	
CE-14-0100-442		2012.02.08		EK1D000156		SCALE	1:9	
ITEM		SHD61 (i=112~280)		REF. NO.		DSKEN597		(A)
2013.09.26		CHANGED LIFTING LUG		2013.10.24		2013.10.24		REVISION NO. 01
박선향		서성민		김기동		PROJECTION		