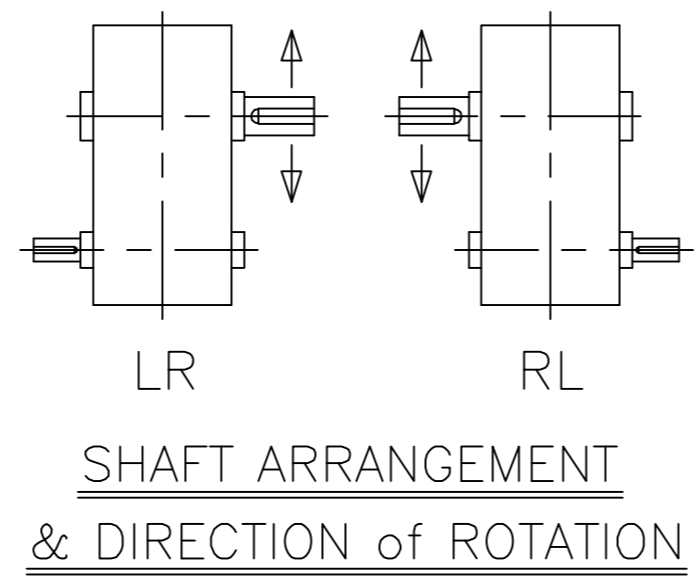
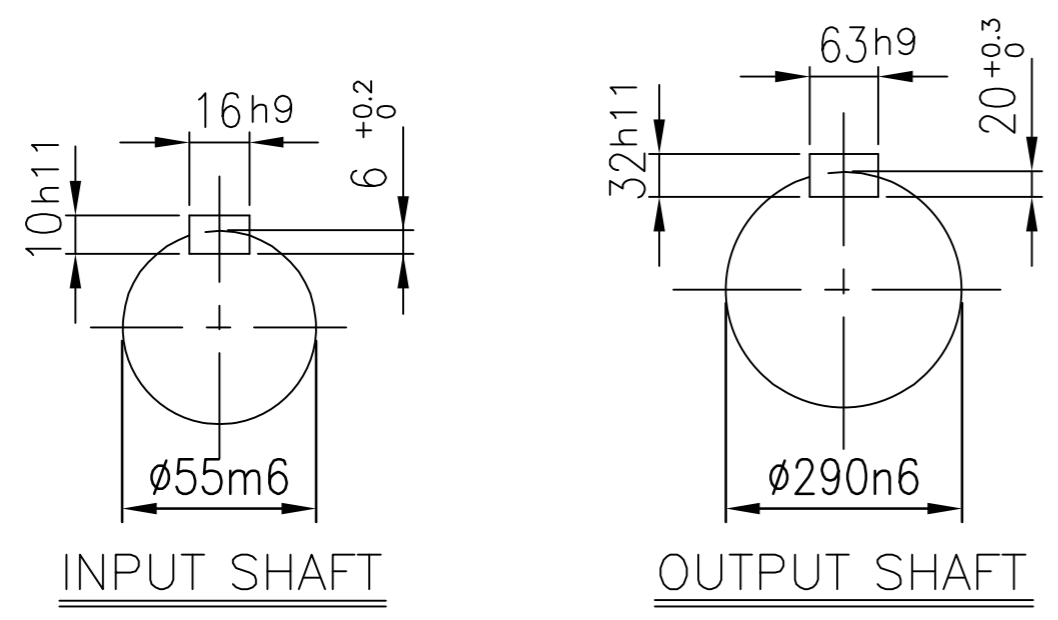
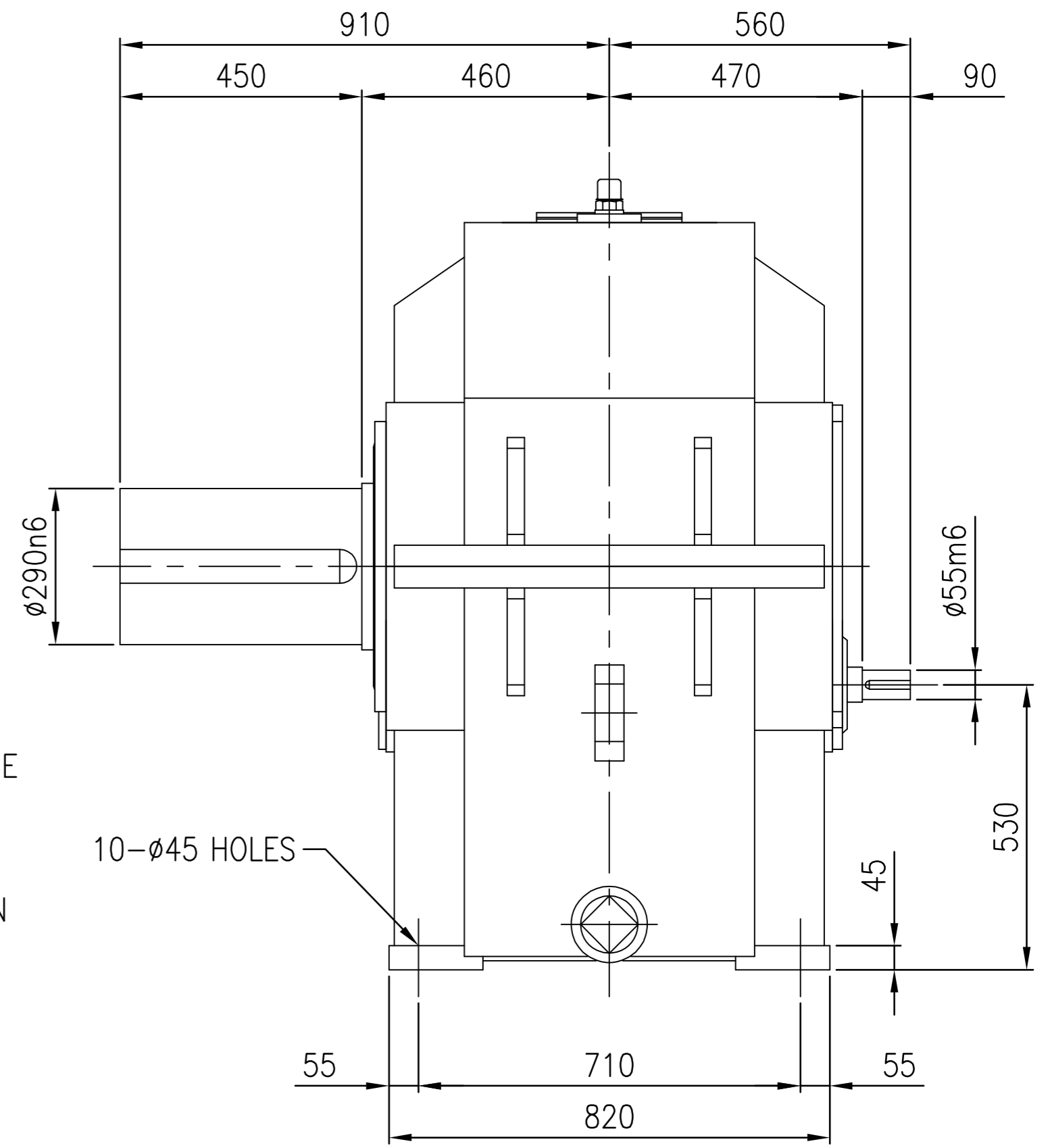
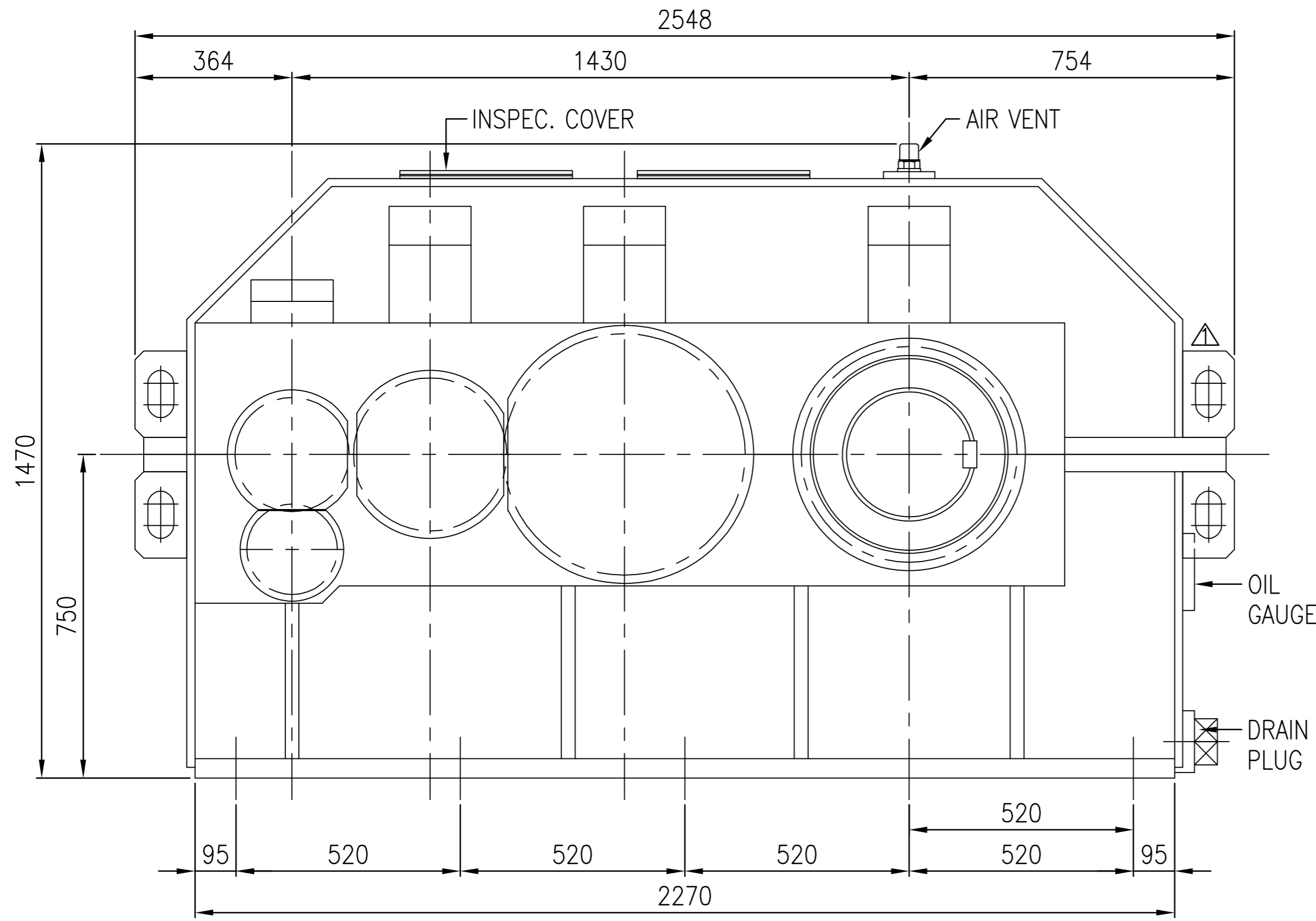


No.	NAME	MATERIAL	DWG/MATL No.	CODE	Q'TY	SIZE	WEIGHT	REMARK
					0			



DWG NAME		기어박스 외형도			
DIMENSION					
2013.09.26	CHANGED LIFTING LUG	DWG No. EK1D000159		UNIT	mm
No.	DATE	DESIGNED	CHECKED	REVIEWED	APPROVED
		박선향	서성민		2013-09-26
DESCRIPTION of REVISION		DATE	REVISION NO.	01	
FORM		DESIGNED	CHECKED	REVIEWED	APPROVED
CE-14-0100-442		2013.10.24	2013.10.24		2013.10.24
2012.02.08		HYOSUNG		김기동	PROJECTION
ITEM		SHD66 (i=315~500)		REF. NO. DSKEN600	