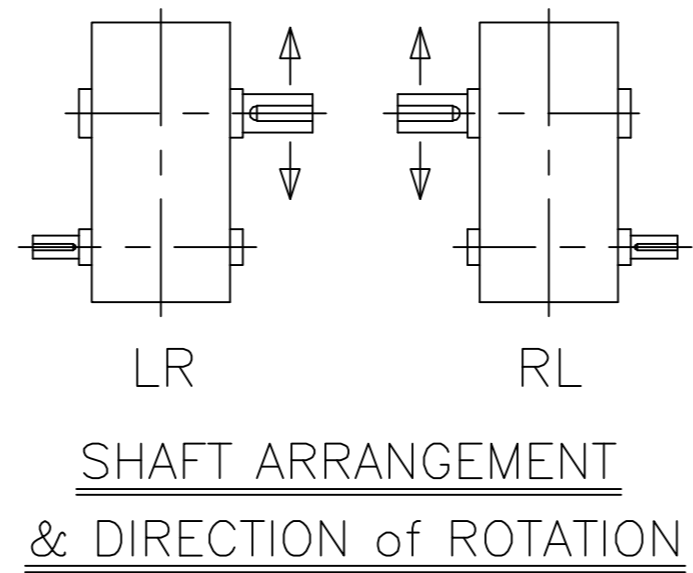
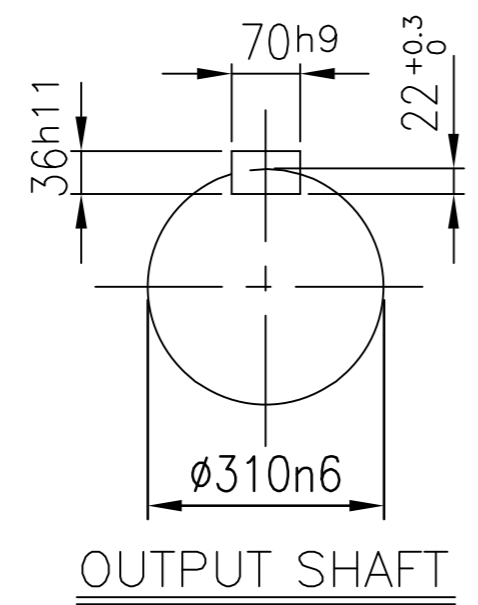
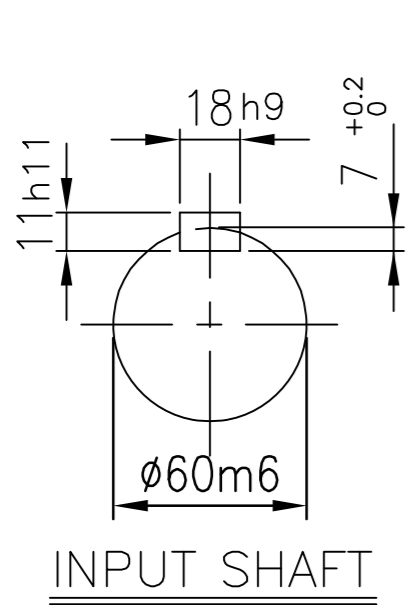
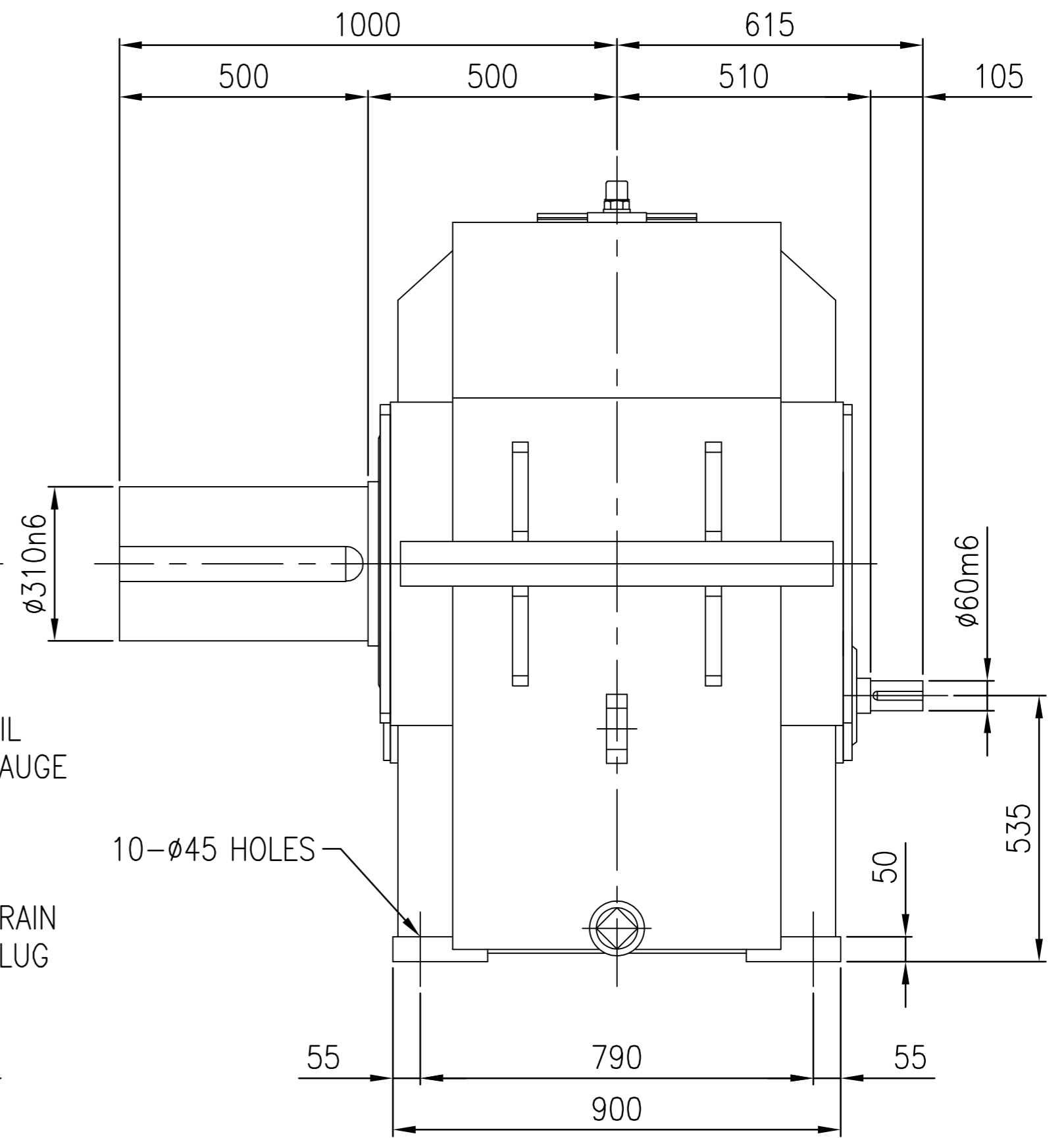
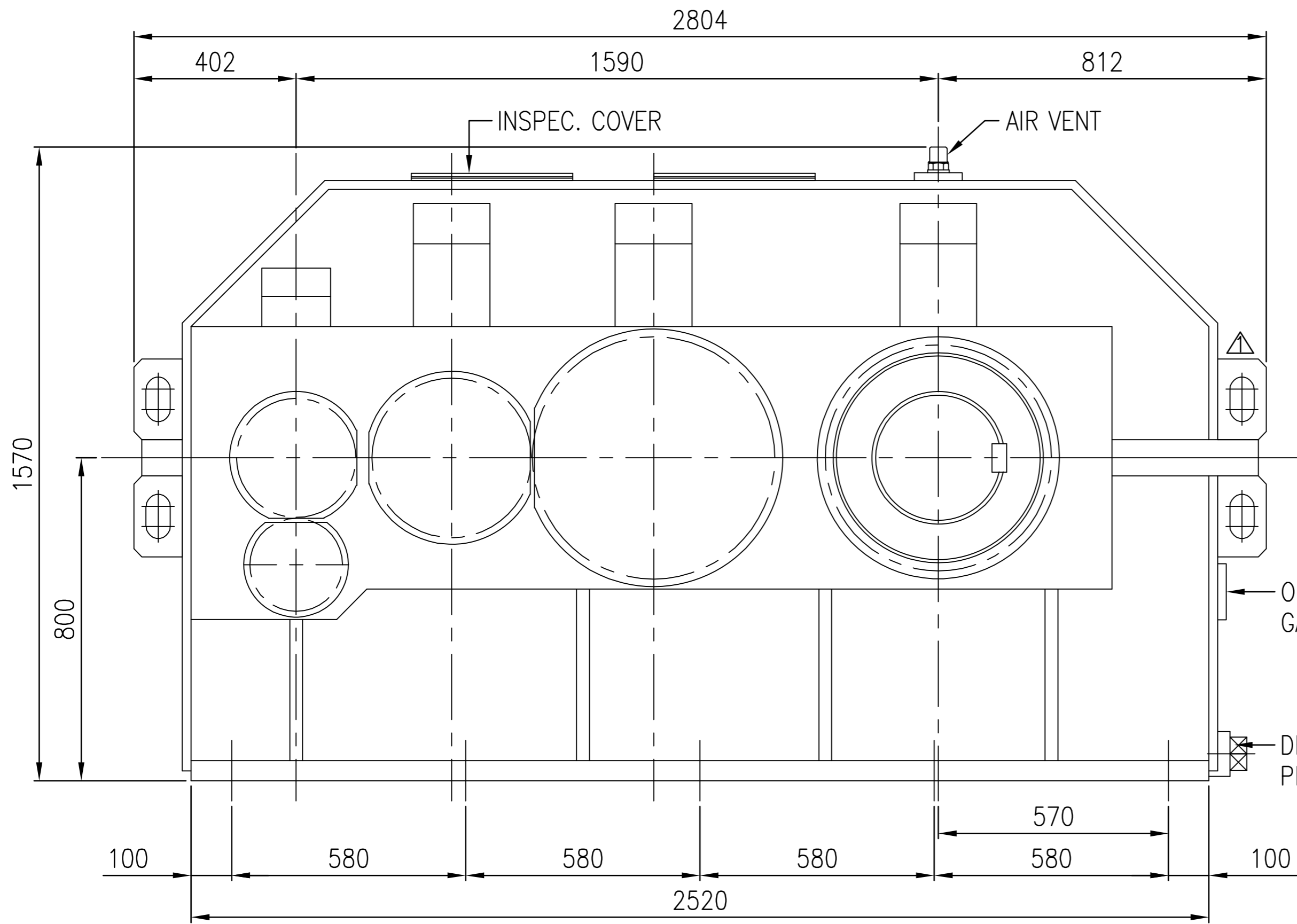


No.	NAME	MATERIAL	DWG/MATL No.	CODE	Q'TY	SIZE	WEIGHT	REMARK
-----	------	----------	--------------	------	------	------	--------	--------



DWG NAME		기어박스 외형도 DIMENSION						
No.	DATE	DESCRIPTION of REVISION	DESIGNED	CHECKED	REVIEWED	APPROVED	DATE	2013-09-26
FORM		CHANGED LIFTING LUG		EKG1D000161		UNIT	mm	
CE-14-0100-442						SCALE	1:10	
2012.02.08						REVISION NO.	01	
						PROJECTION	1	
ITEM		SHD71 (i=315~500)		REF. NO.		DSKEN602		(A)