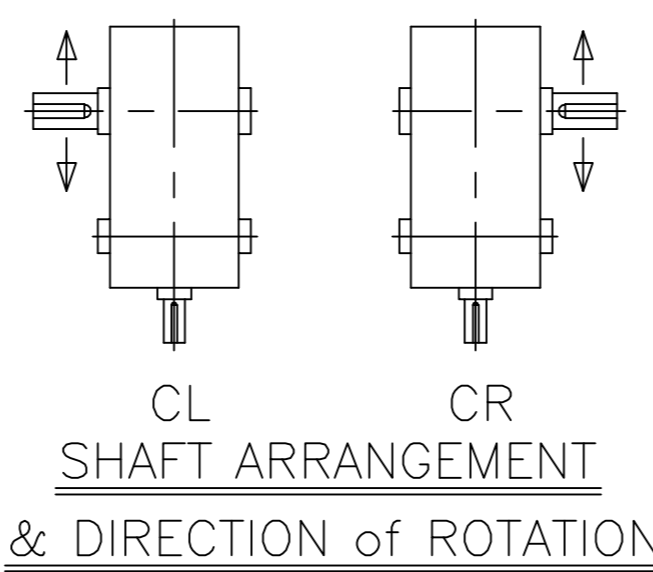
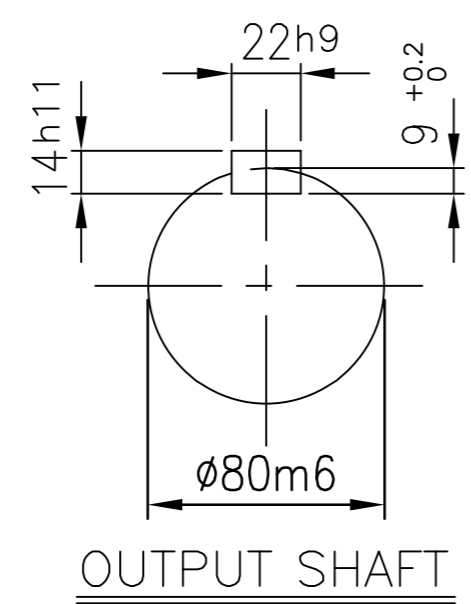
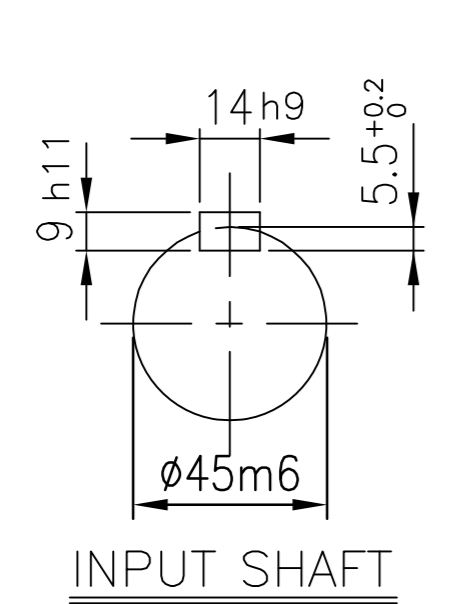
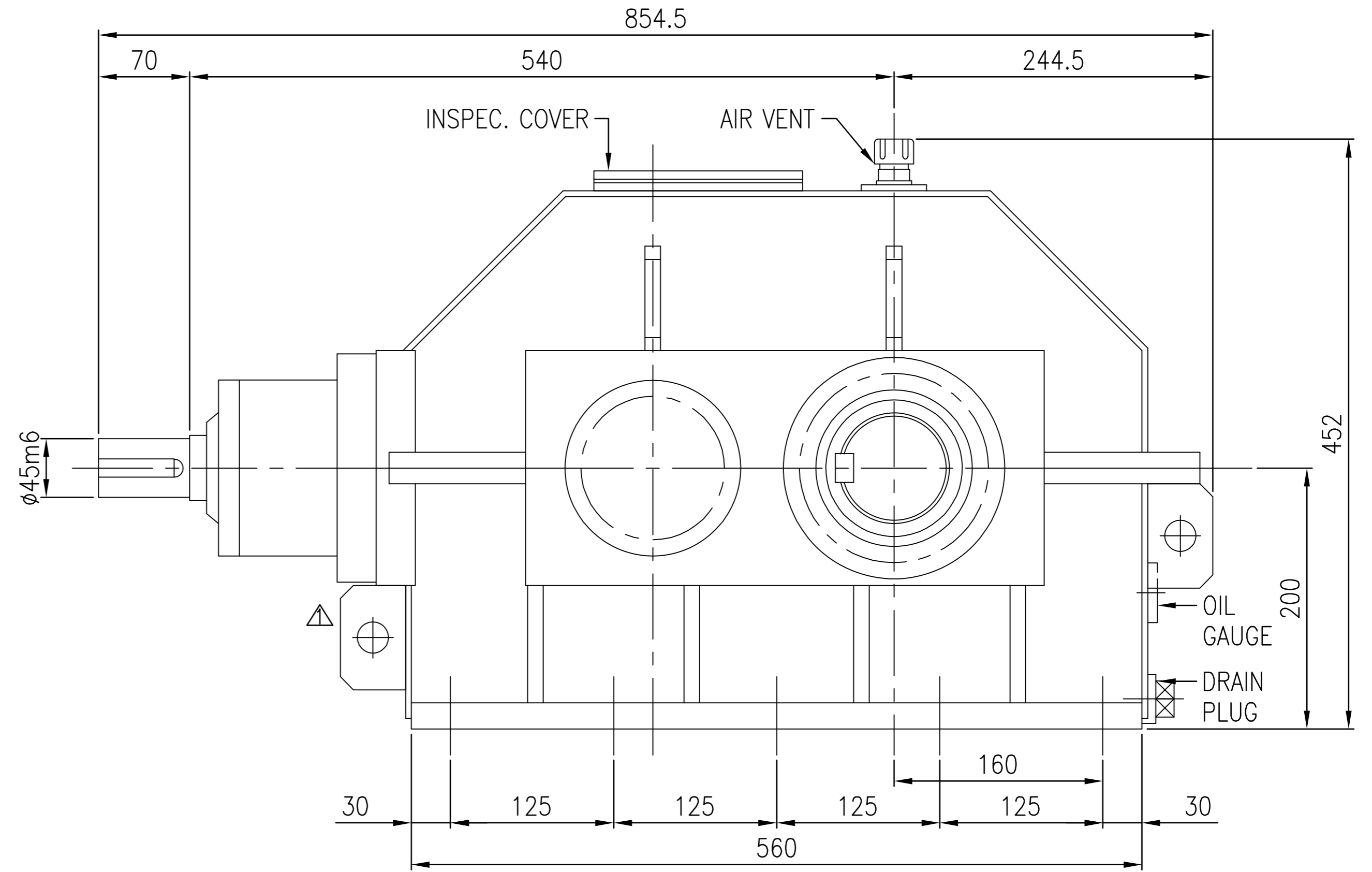
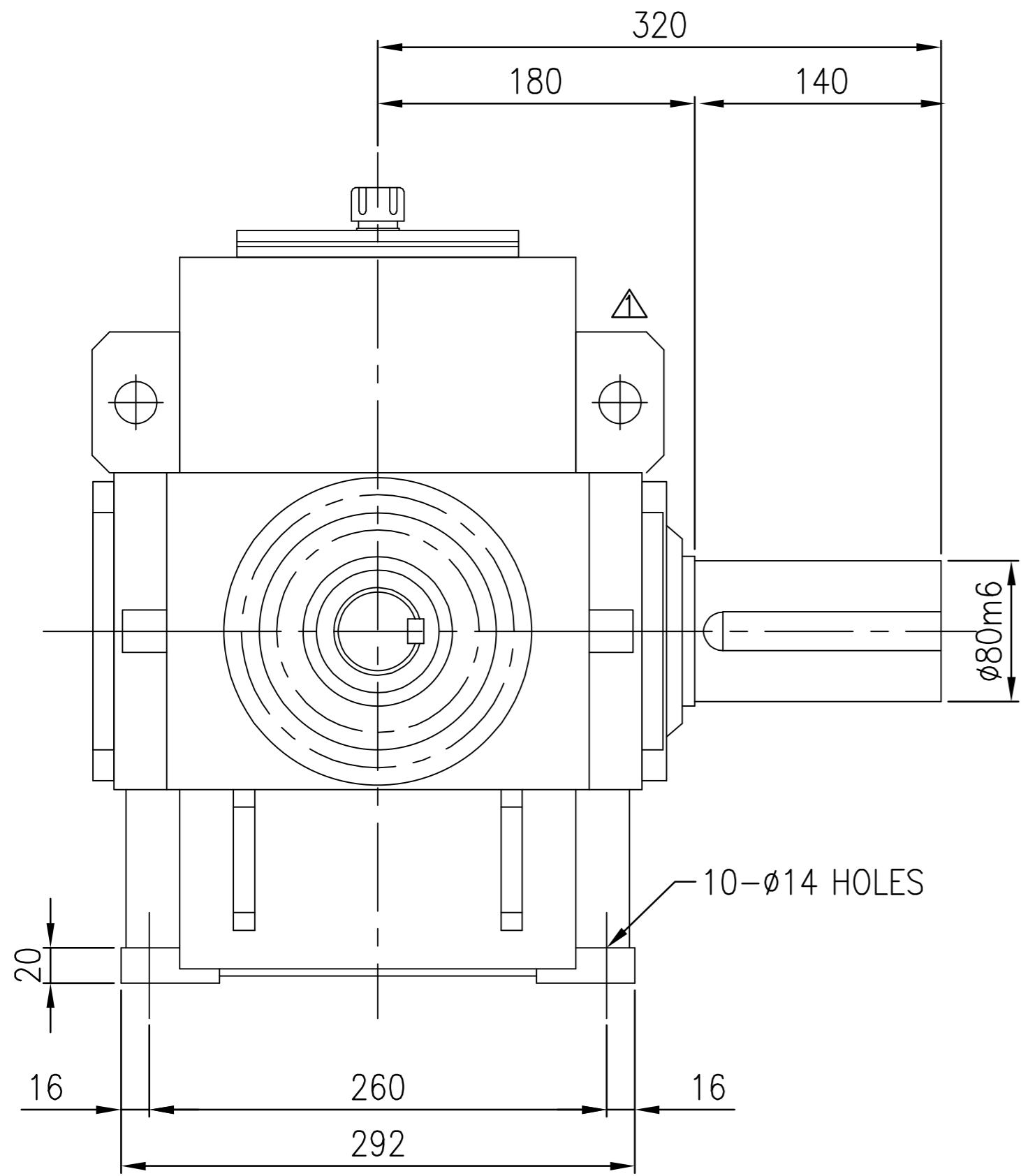


No.	NAME	MATERIAL	DWG/MATL No.	CODE	Q'TY	SIZE	WEIGHT	REMARK
-----	------	----------	--------------	------	------	------	--------	--------



DWG NAME		기어박스 외형도			
DIMENSION		DIMENSION			
DWG No.		EK1D000162		UNIT	mm
SCALE		1:3		DATE	2013-09-26
No.	DATE	DESCRIPTION of REVISION		DESIGNED	CHECKED
2013.09.26		CHANGED LIFTING LUG		2013.10.24	2013.10.24
FORM		HYOSUNG		APPROVED	REVISION NO.
CE-14-0100-442		2012.02.08		2013.10.24	01
ITEM		SKB18 (i=5.6~10)		PROJECTION	01
REF. NO.		DSKEN603		A	