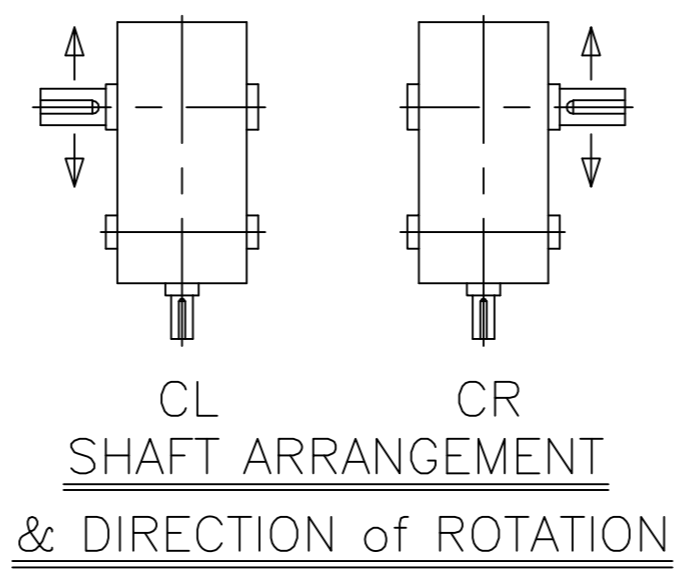
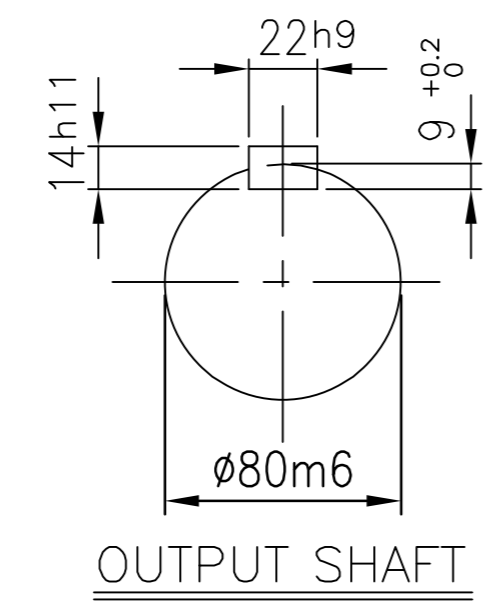
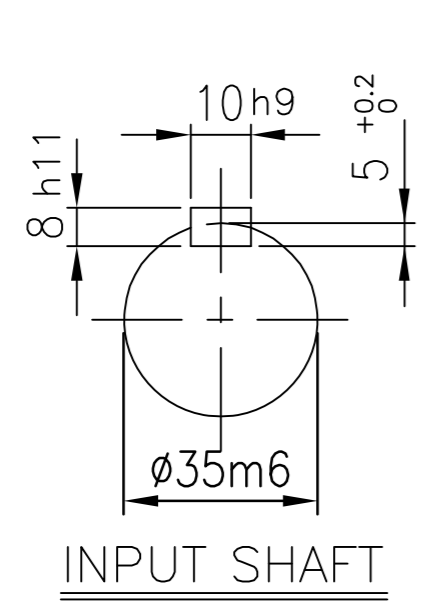
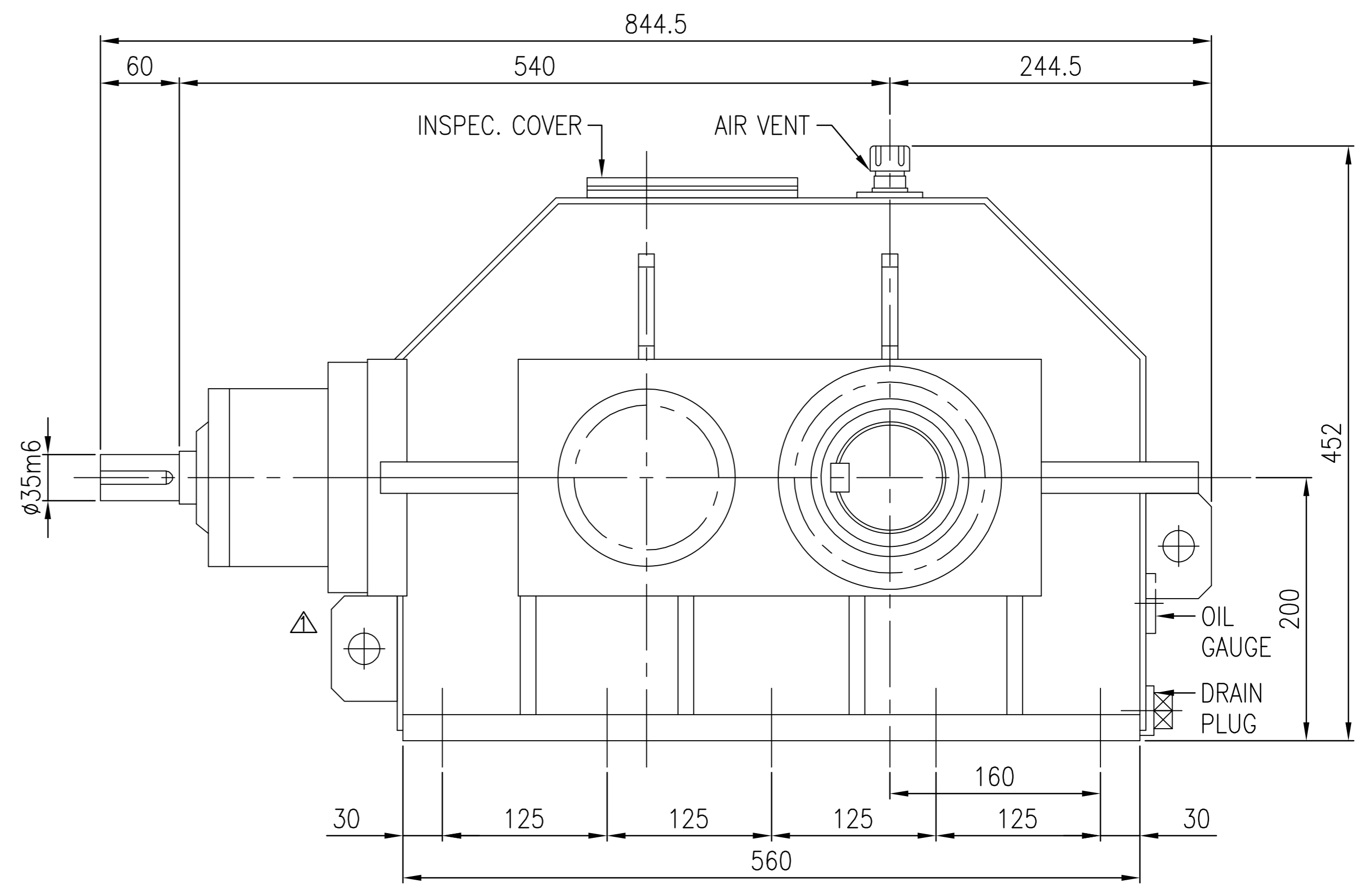
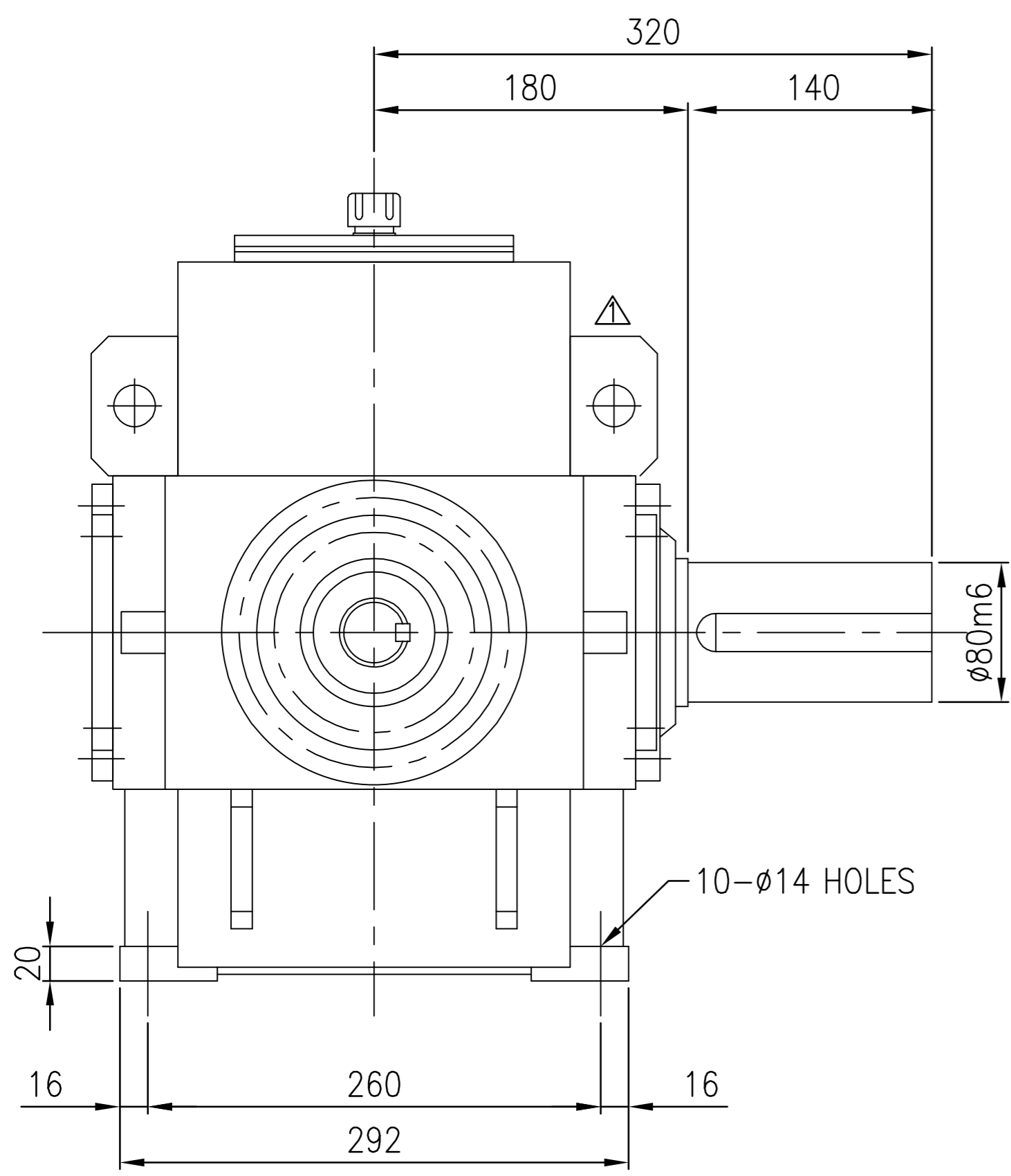


No.	NAME	MATERIAL	DWG/MATL No.	CODE	Q'TY	SIZE	WEIGHT	REMARK
-----	------	----------	--------------	------	------	------	--------	--------



DWG NAME		기어박스 외형도			
DIMENSION					
DWG No.	EK1D000163			UNIT	mm
SCALE	1:3			DATE	2013-09-26
No.	DATE	DESCRIPTION of REVISION	DESIGNED	CHECKED	REVIEWED
2013.09.26		CHANGED LIFTING LUG	박선향	서성민	2013.10.24
FORM		HYOSUNG		REVISION NO.	01
CE-14-0100-442		2012.02.06		PROJECTION	①
ITEM		SKB18 (i=11.2~18)		REF. NO.	DSKEN604