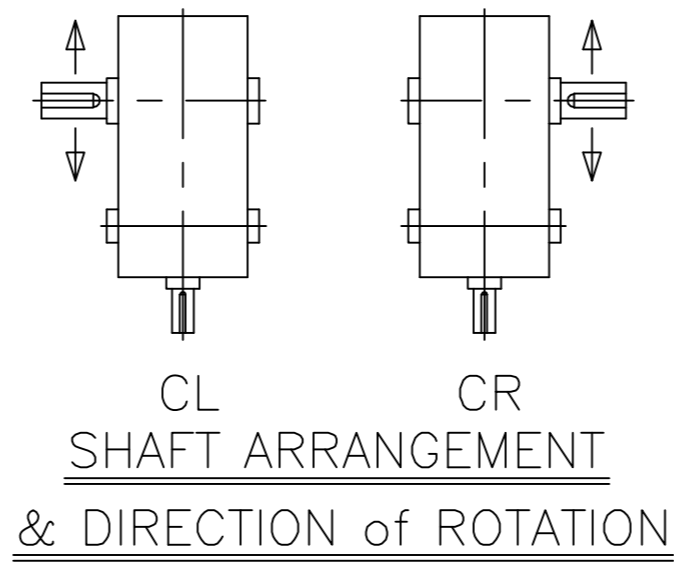
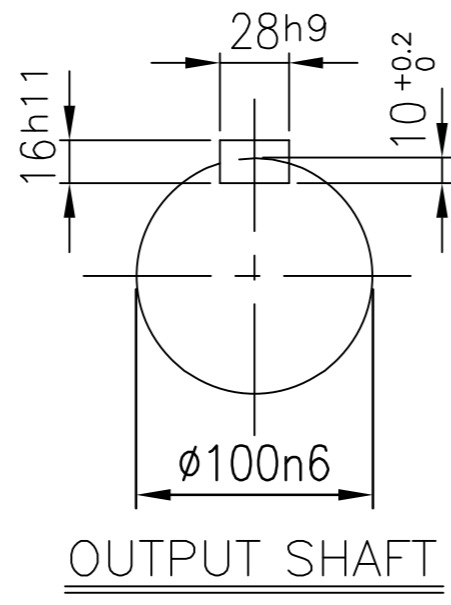
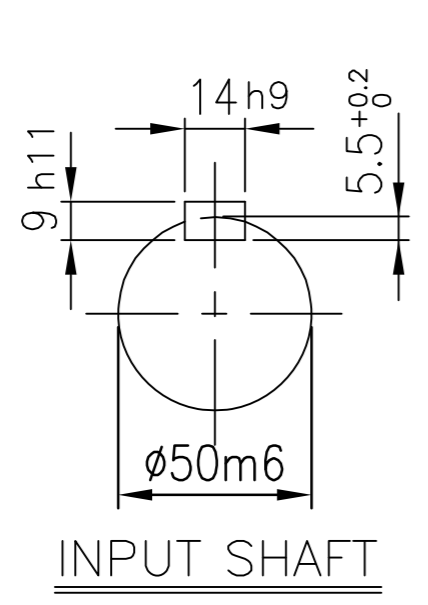
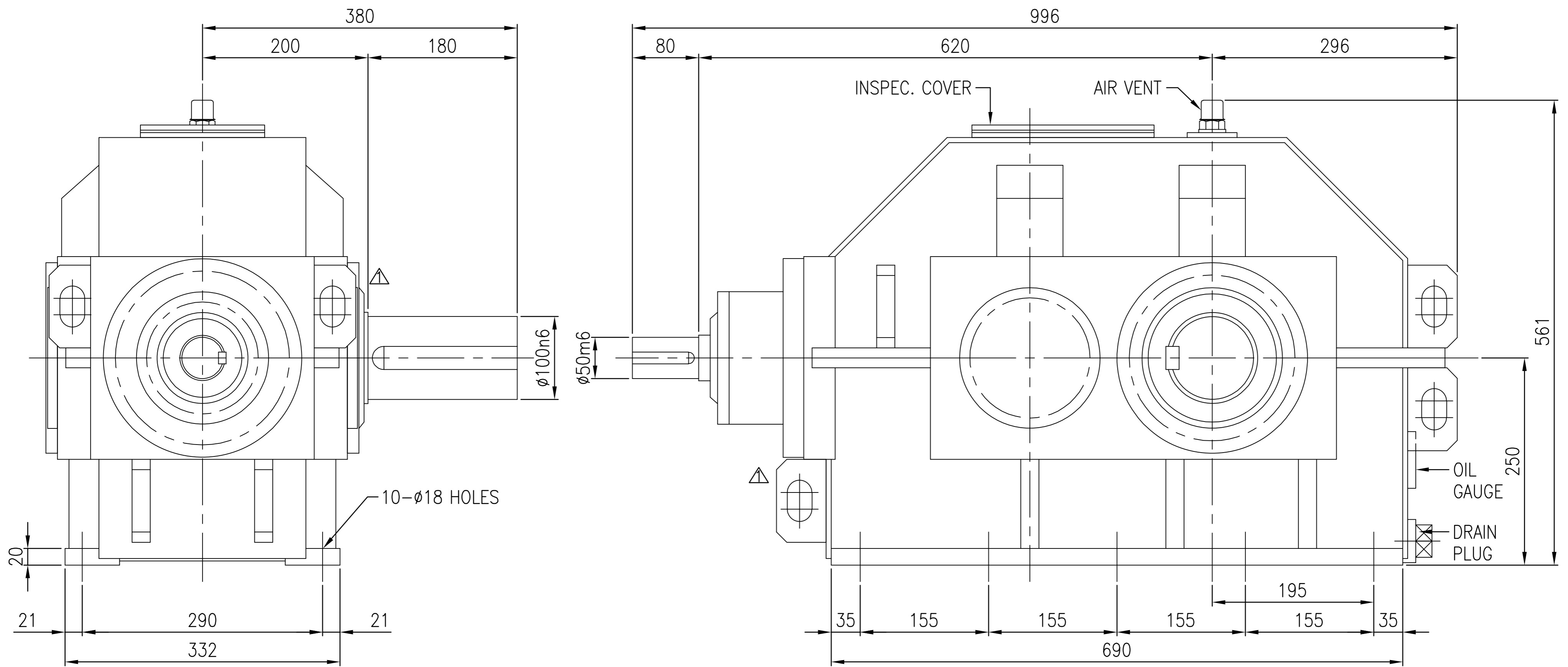


No.	NAME	MATERIAL	DWG/MATL No.	CODE	Q'TY	SIZE	WEIGHT	REMARK
-----	------	----------	--------------	------	------	------	--------	--------



DWG NAME		기어박스 외형도			
DIMENSION		DIMENSION			
2013.09.26	CHANGED LIFTING LUG	DWG No. <b>EK1D000164</b>		UNIT	mm
No.	DATE	DESIGNED	CHECKED	REVIEWED	APPROVED
1	2013.10.24	박선향	서성민		2013.10.24
DESCRIPTION of REVISION		REVISION NO.		DATE	
1		01		2013-09-26	
FORM		HYOSUNG		PROJECTION	
CE-14-0100-4A2		SKB22 (i=5.6~10)		DSKEN605	
2012.02.08		REF. NO.		A	