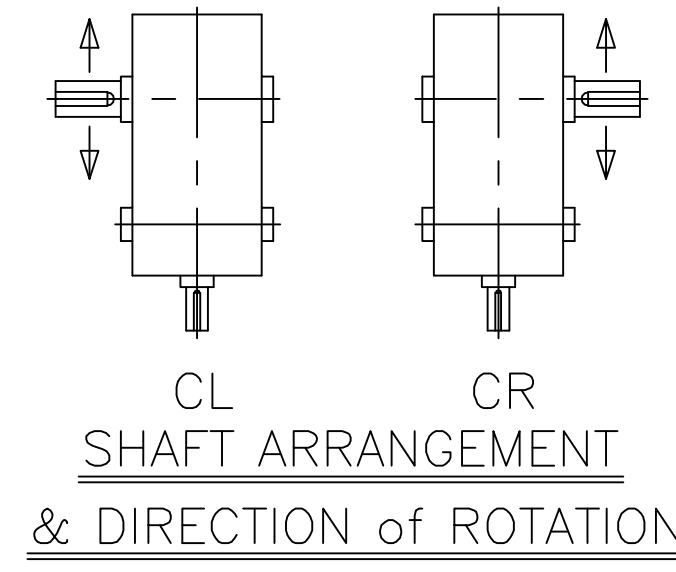
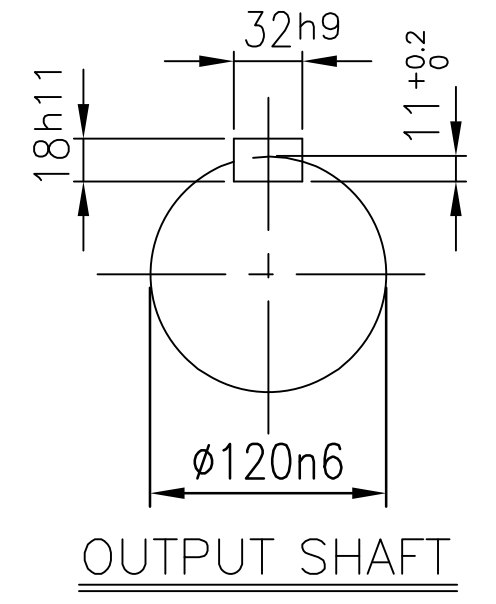
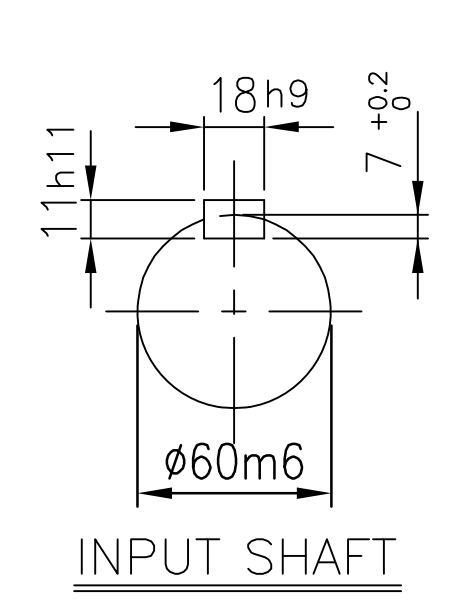
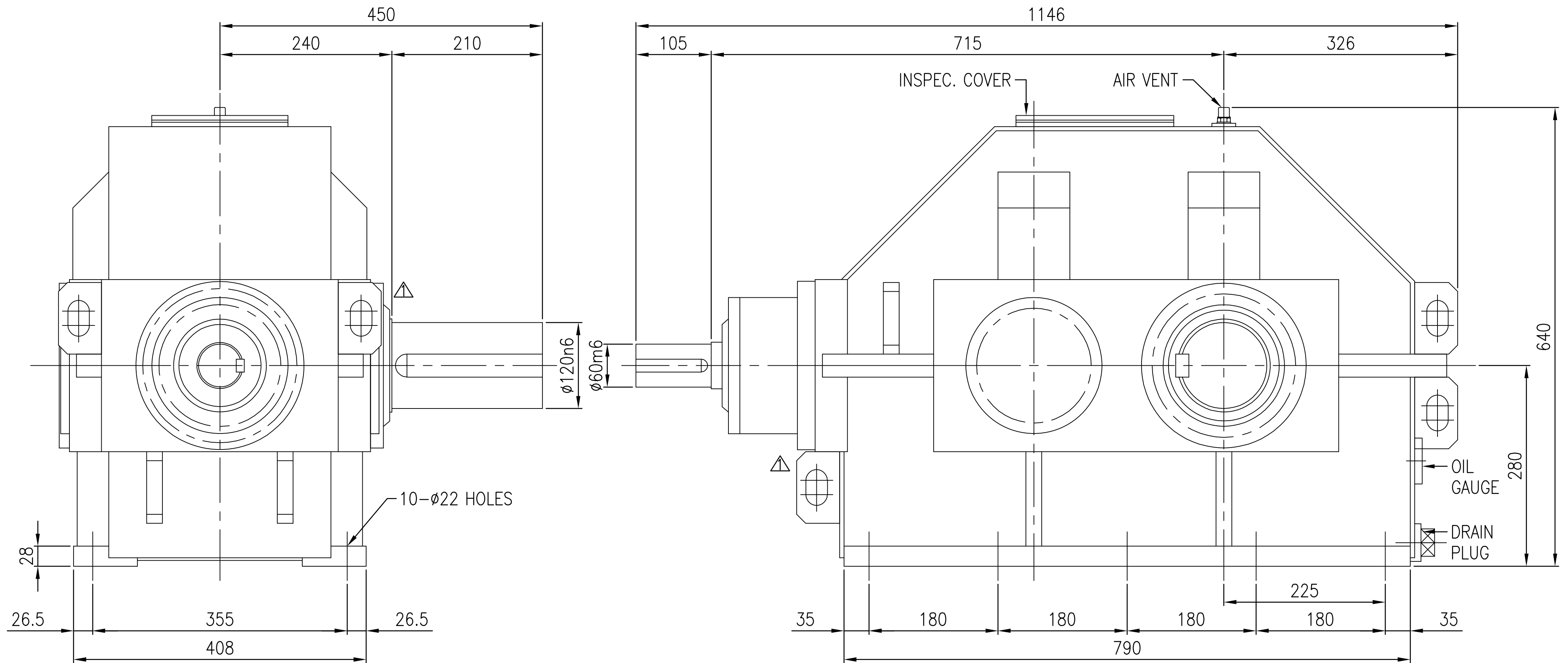


No.	NAME	MATERIAL	DWG/MATL No.	CODE	Q'TY	SIZE	WEIGHT	REMARK
-----	------	----------	--------------	------	------	------	--------	--------



DWG NAME		기어박스 외형도			
DIMENSION		DIMENSION			
DWG No.		EK1D000166		UNIT	mm
SCALE		1:4.5			
No.	DATE	DESCRIPTION of REVISION	DESIGNED	CHECKED	REVIEWED
2013.09.26		CHANGED LIFTING LUG			
APPROVED			DATE	2013-09-26	
REVISION NO.			01		
PROJECTOR			김기동		
ITEM		SKB26 (i=5.6~10)		REF. NO.	DSKEN607