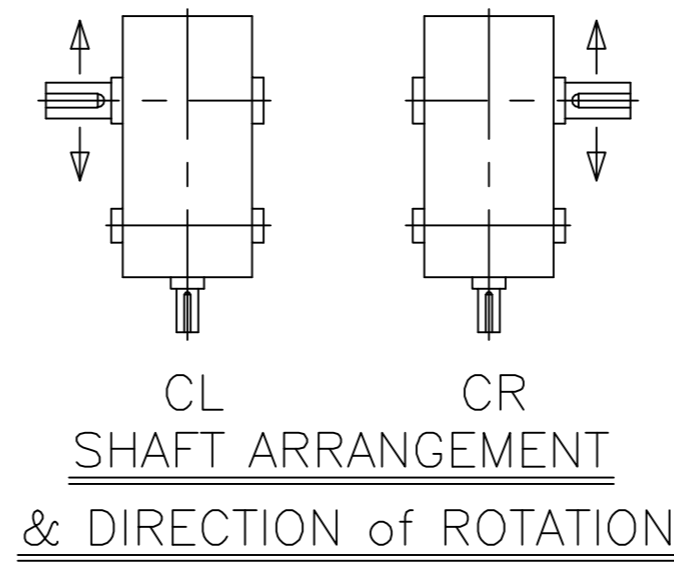
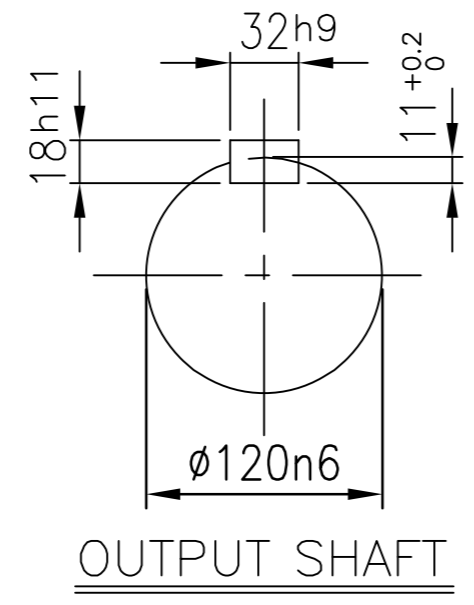
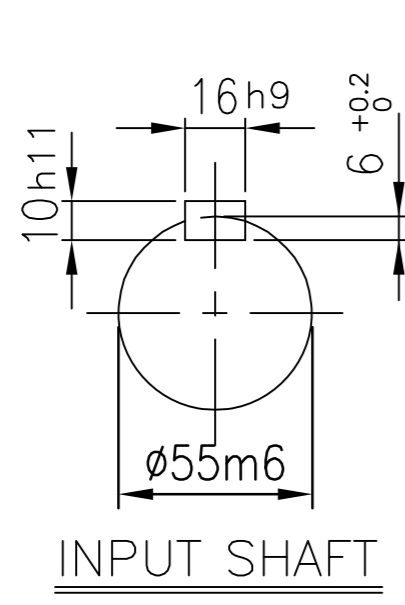
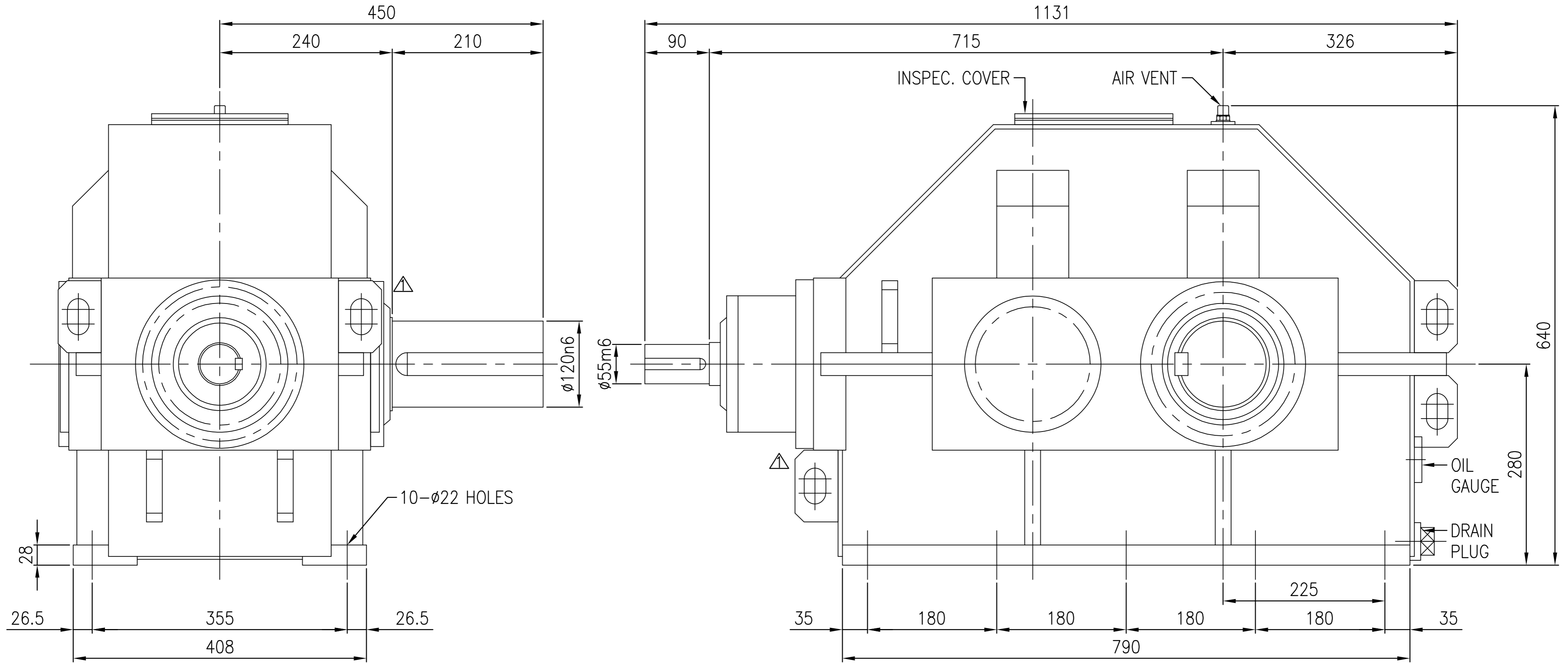


No.	NAME	MATERIAL	DWG/MATL No.	CODE	Q'TY	SIZE	WEIGHT	REMARK
-----	------	----------	--------------	------	------	------	--------	--------



DWG NAME		기어박스 외형도 DIMENSION						
No.	DATE	DESCRIPTION of REVISION	DESIGNED	CHECKED	REVIEWED	APPROVED	DATE	2013-09-26
FORM	CE-14-0100-442							
DATE	2012.02.08							
ITEM		SKB26 (i=11.2~18)	REF. NO.	DSKEN608		REVISION NO.		01
DWG No.		EK1DO00167	UNIT	mm		SCALE		1:4.5
DESIGNED		박선향	CHECKED	서성민		APPROVED		김기동
PROJECTION								(A)