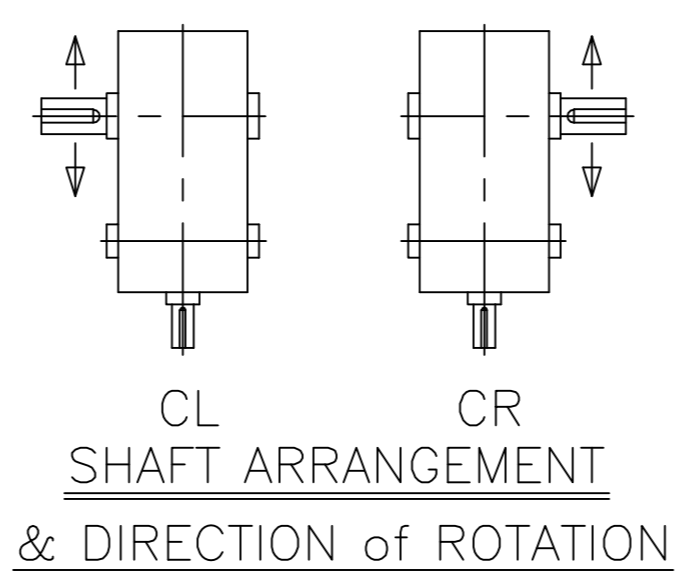
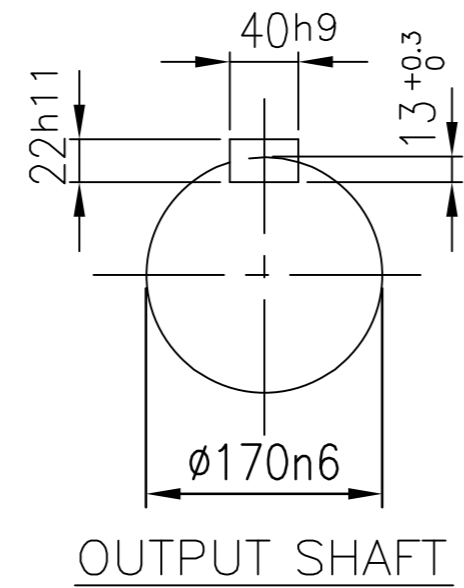
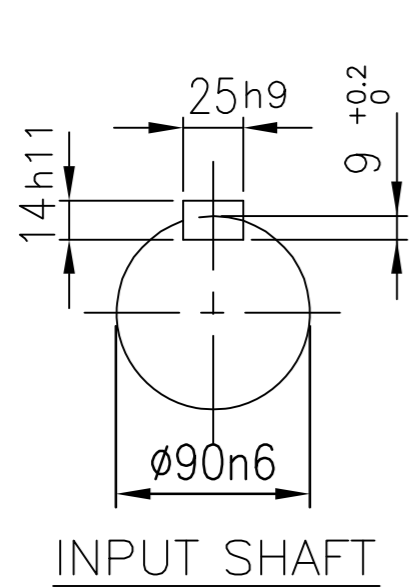
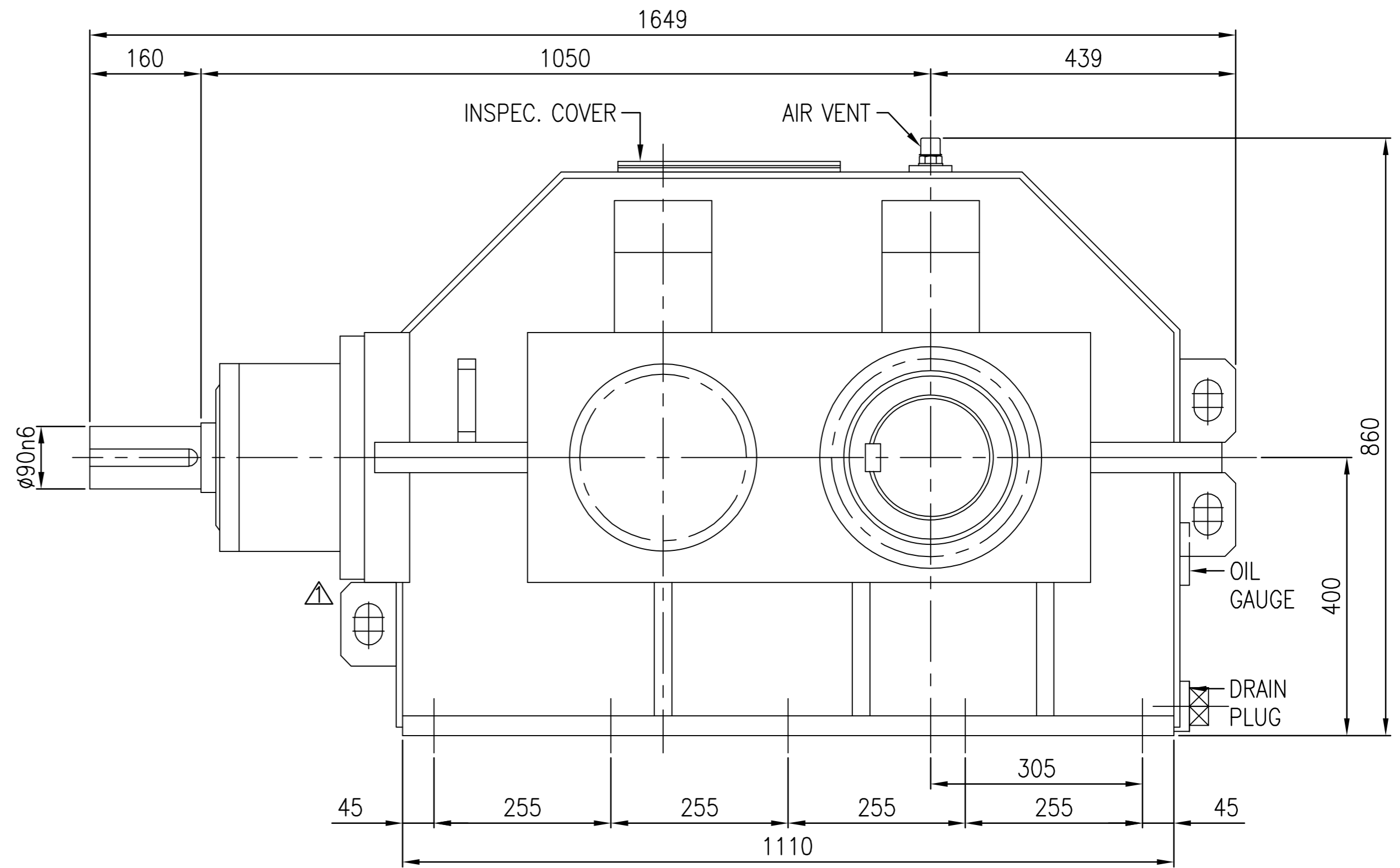
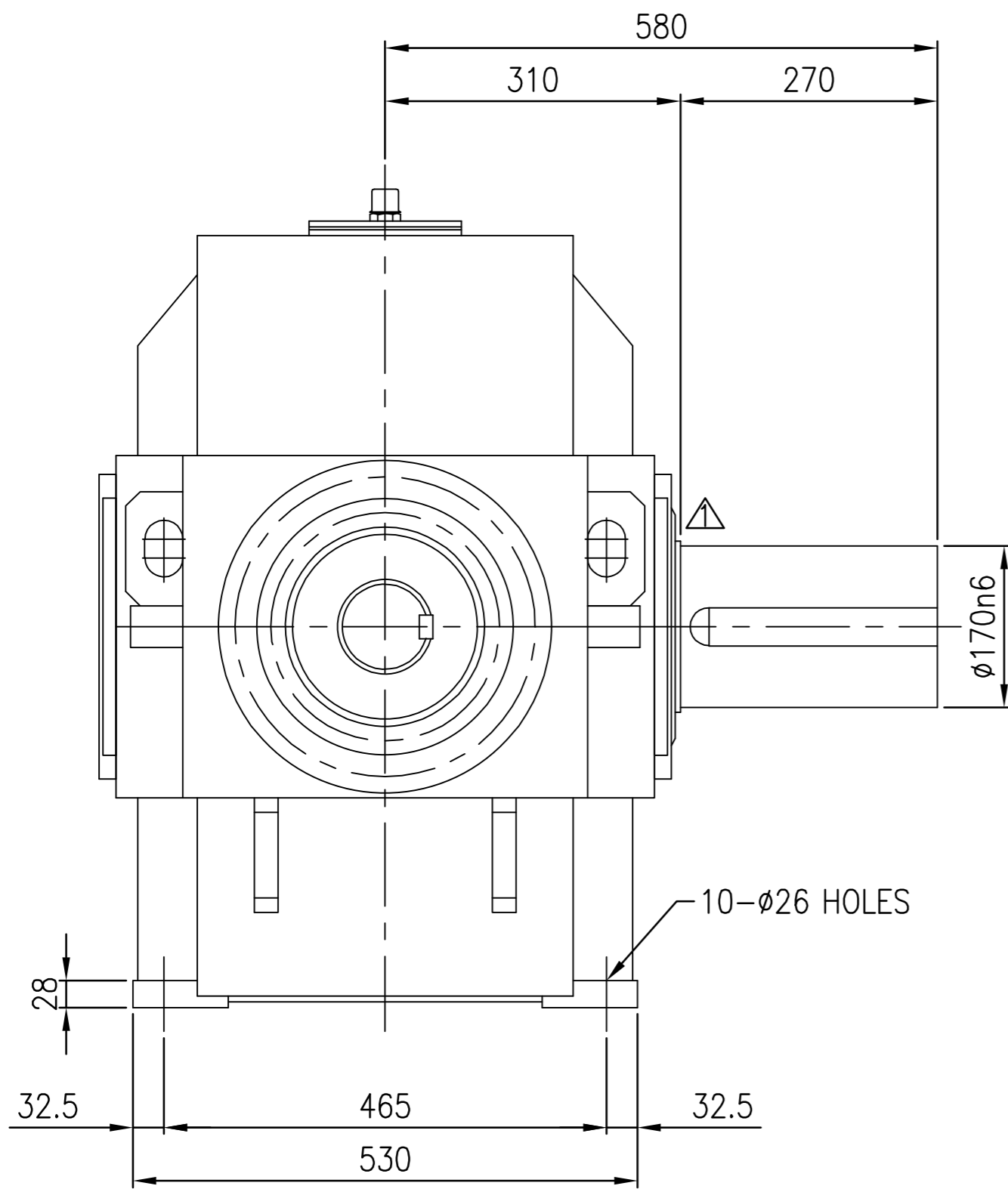


No.	NAME	MATERIAL	DWG/MATL No.	CODE	Q'TY	SIZE	WEIGHT	REMARK
-----	------	----------	--------------	------	------	------	--------	--------



DWG NAME		기어박스 외형도 DIMENSION						
No.	DATE	DESCRIPTION of REVISION	DESIGNED	CHECKED	REVIEWED	APPROVED	DATE	2013-09-26
FORM	CE-14-0100-442	2012.02.08	CHANGED LIFTING LUG		EY		UNIT	mm
ITEM		SKB38 (i=5.6~10)	DWG No.		EY		SCALE	1:6
REF. NO.		DSKEN611	DESIGNED	2013.10.24	CHECKED	2013.10.24	REVIEWED	2013.10.24
REVISION NO.		01	APPROVED		김기동		DATE	2013-09-26
PROJECTION		☉	REVISION NO.		01		DATE	