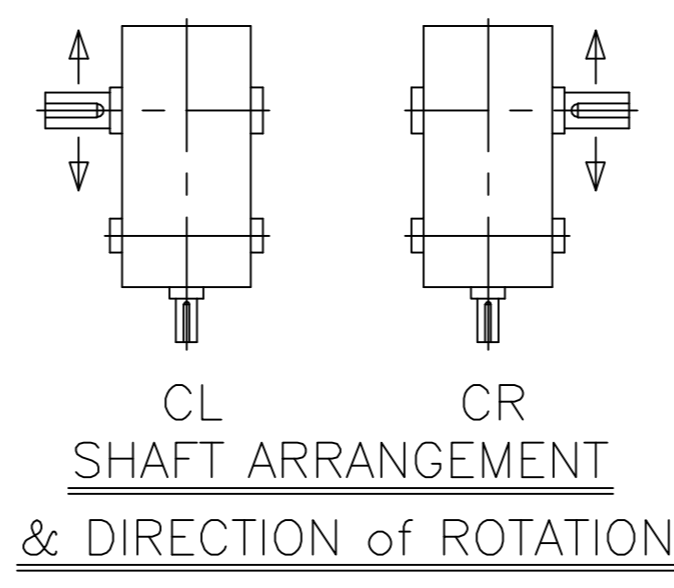
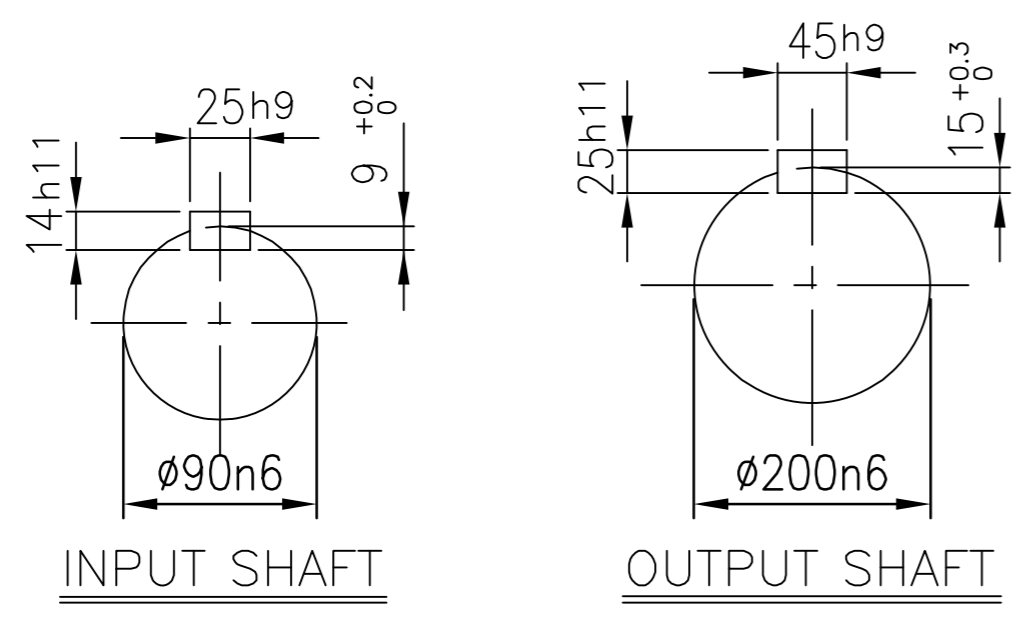
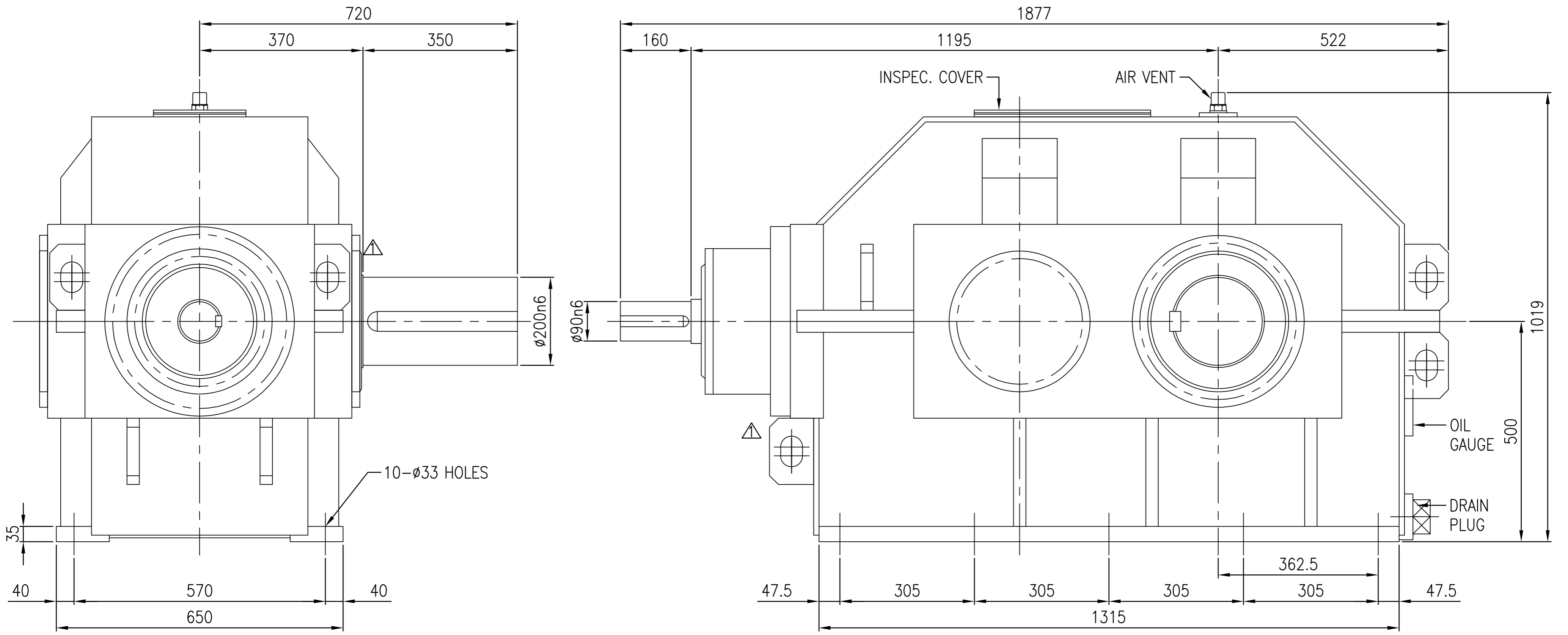


No.	NAME	MATERIAL	DWG/MATL No.	CODE	Q'TY	SIZE	WEIGHT	REMARK
-----	------	----------	--------------	------	------	------	--------	--------



DWG NAME		기어박스 외형도 DIMENSION						
2013.09.26	CHANGED LIFTING LUG	DWG No. EK1D000173		UNIT	mm			
No.	DATE	DESCRIPTION of REVISION	DESIGNED	CHECKED	REVIEWED	APPROVED	DATE	2013-09-26
FORM	CE-14-0100-442		박선향	서성민		김기동	REVISION NO.	01
ITEM	SKB45 (i=11.2~18)						PROJECTION	
		REF. NO.	DSKEN614					(A)