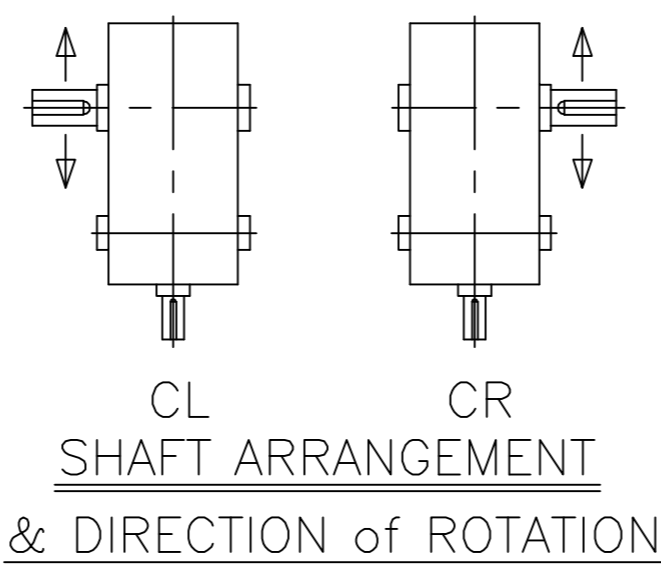
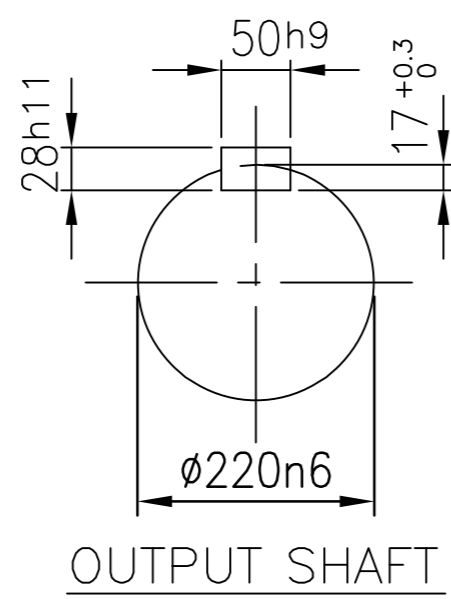
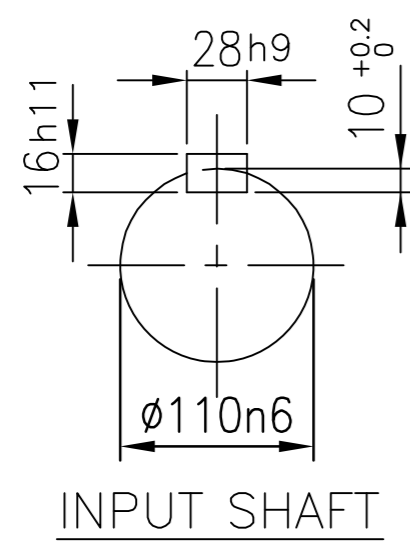
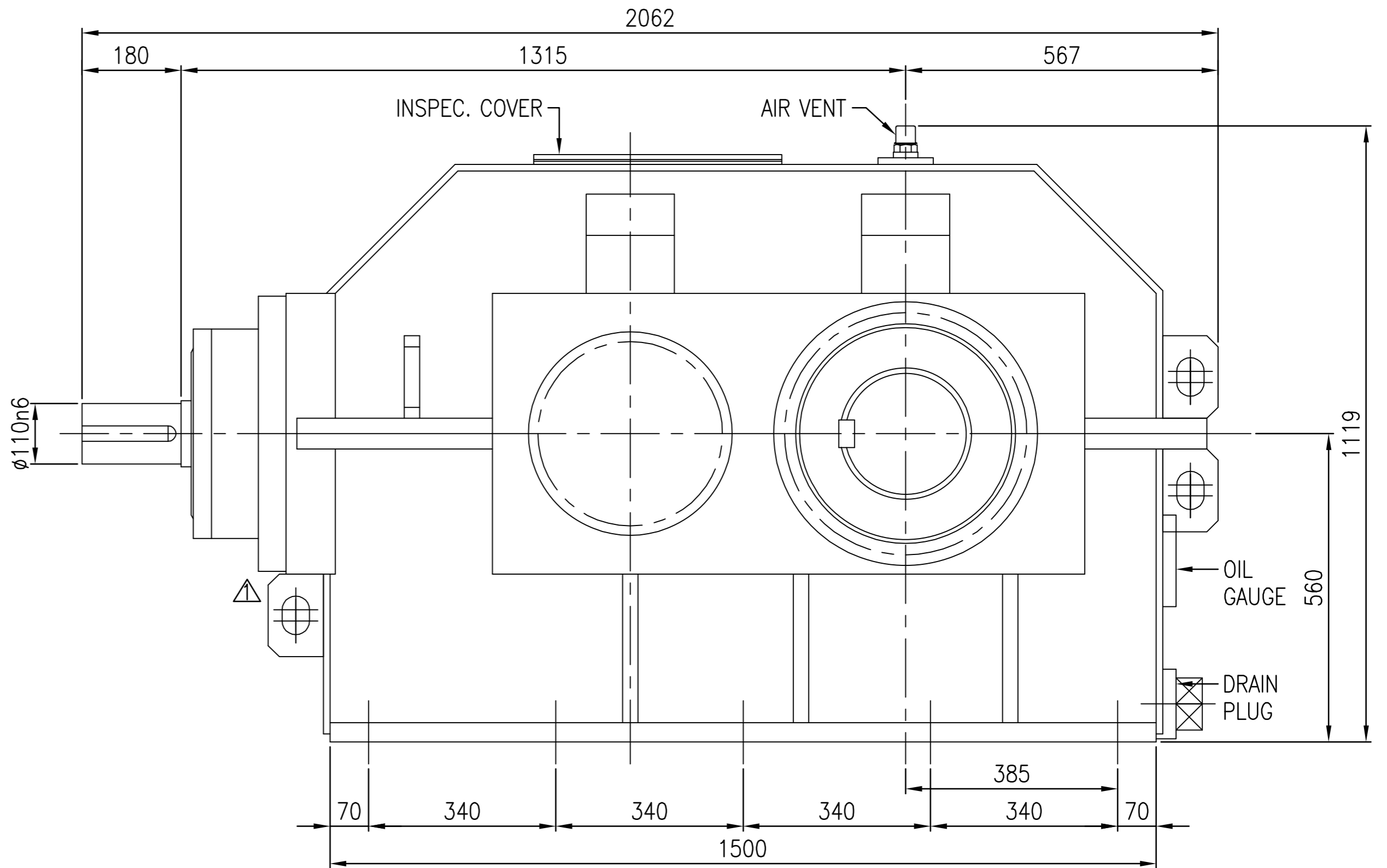
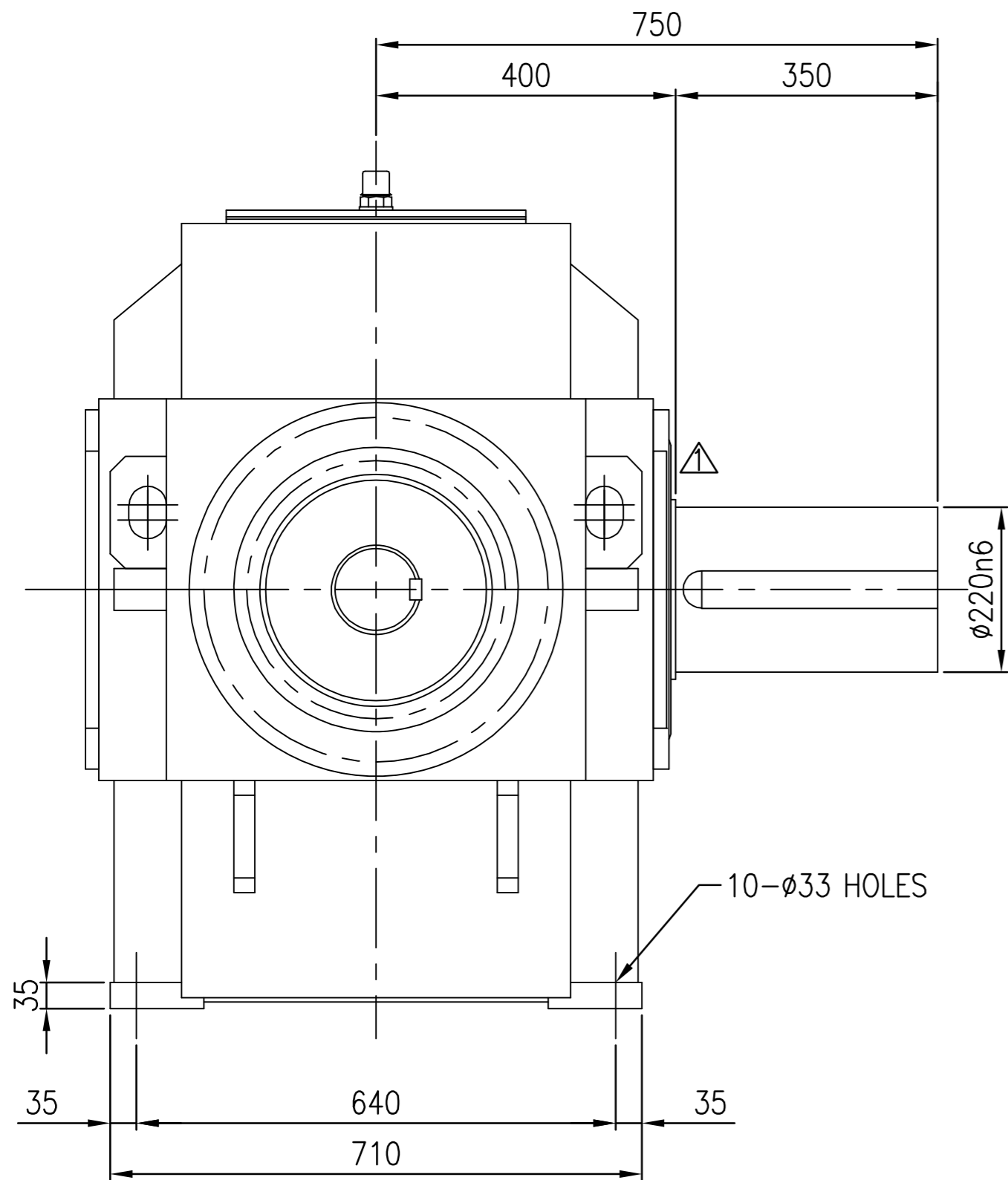


No.	NAME	MATERIAL	DWG/MATL No.	CODE	Q'TY	SIZE	WEIGHT	REMARK
-----	------	----------	--------------	------	------	------	--------	--------



DWG NAME		기어박스 외형도 DIMENSION			
2013.09.26	CHANGED LIFTING LUG	DWG No. EK1D000174		UNIT	mm
No.	DATE	DESIGNED	CHECKED	REVIEWED	APPROVED
		박선향	서성민		김기동
FORM CE-14-0100-4A2 2012.02.08		HYOSUNG		REVISION NO.	01
ITEM SKB50 (i=5.6~10)		REF. NO.		DSKEN615	(A)