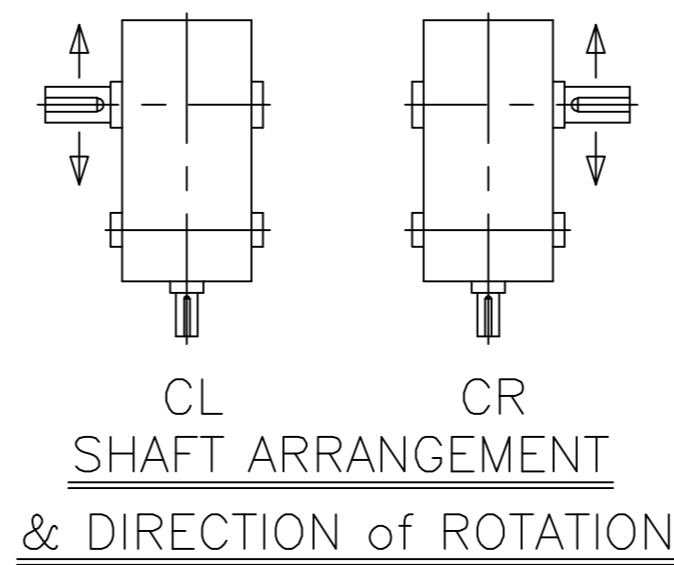
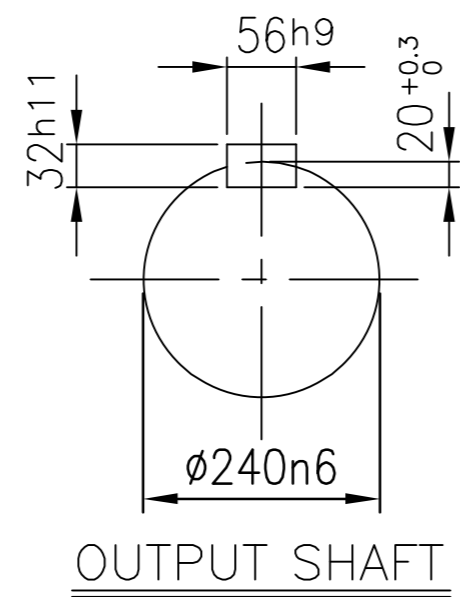
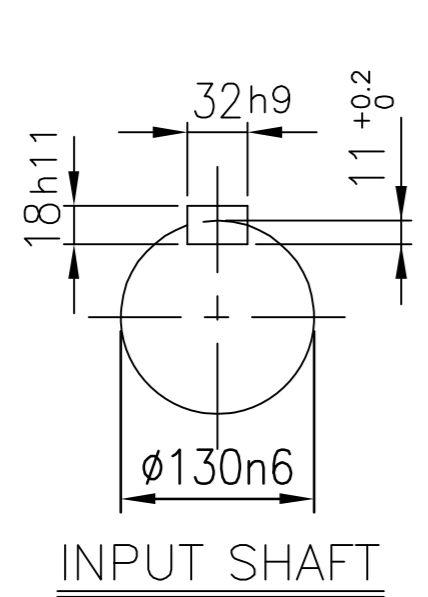
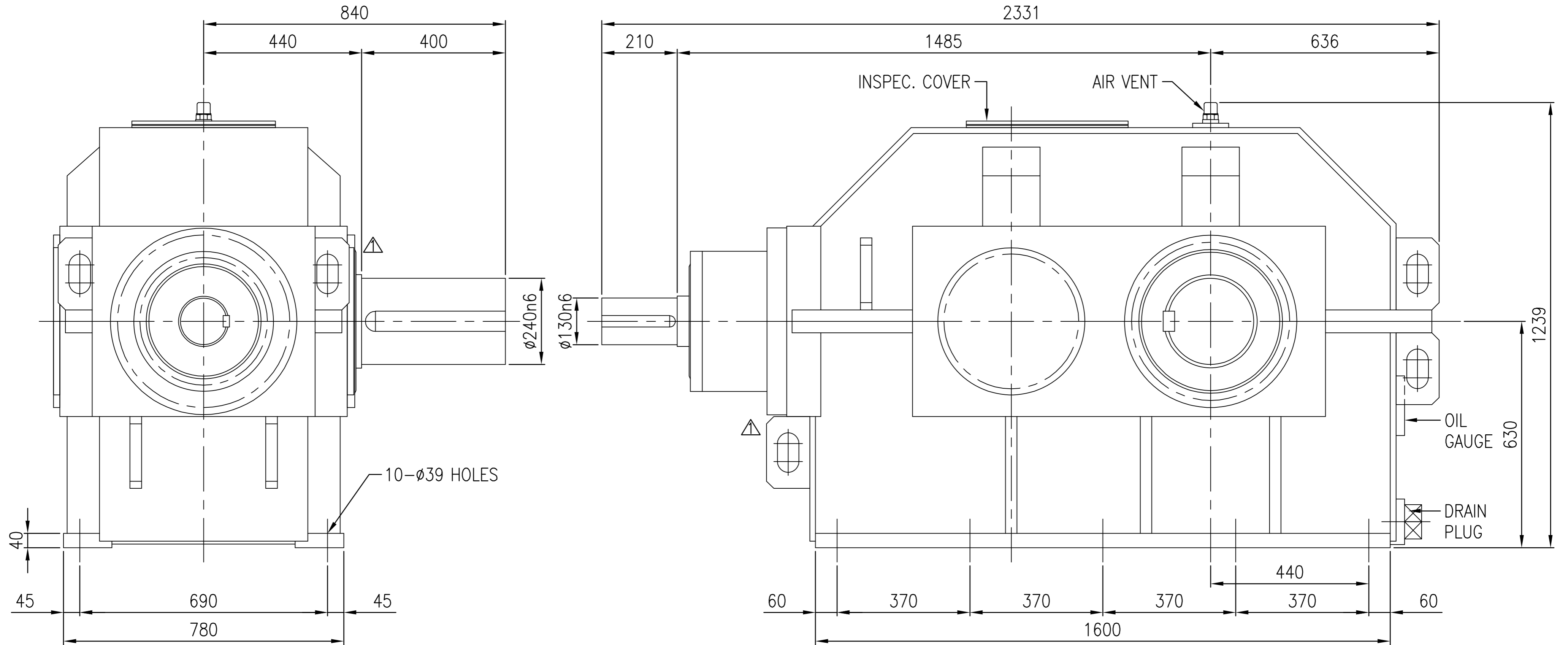


No.	NAME	MATERIAL	DWG/MATL No.	CODE	Q'TY	SIZE	WEIGHT	REMARK
-----	------	----------	--------------	------	------	------	--------	--------



DWG NAME		기어박스 외형도 DIMENSION			
2013.09.26	CHANGED LIFTING LUG	DWG No. EK1DO00176		UNIT	mm
No.	DATE	DESIGNED	CHECKED	REVIEWED	APPROVED
		2013.10.24	2013.10.24		2013.10.24
		박선향	서성민		김기동
FORM		REVISION NO.		DATE	
CE-14-010-42		01		2013-09-26	
2012.02.08		PROJECTION			
ITEM		REF. NO.		DATE	
SKB56 (i=5.6~10)		DSKEN617			