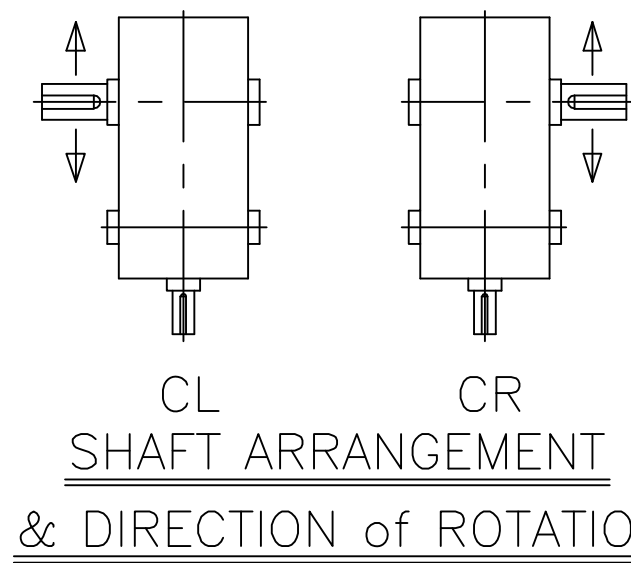
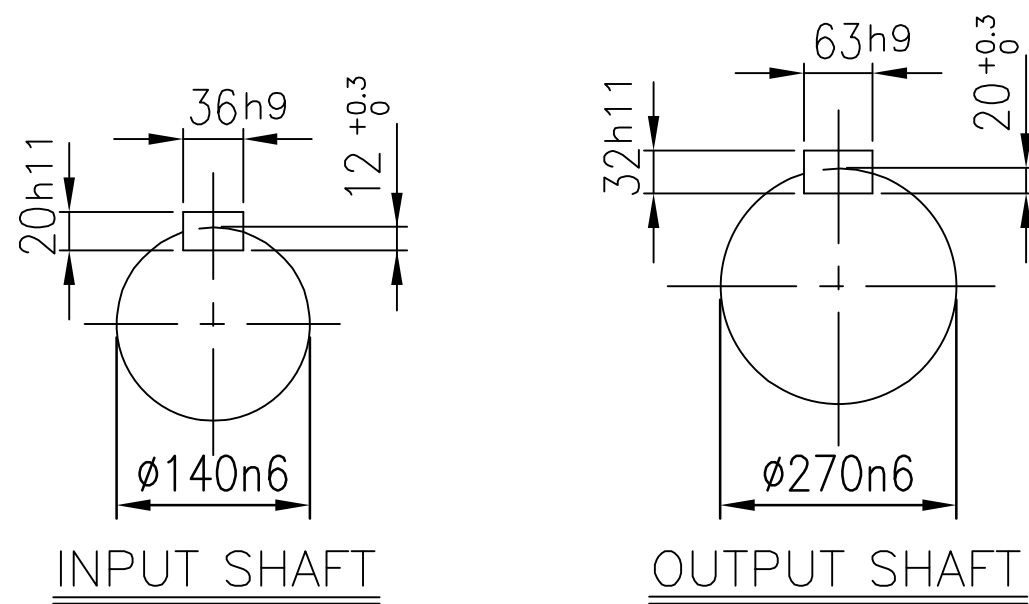
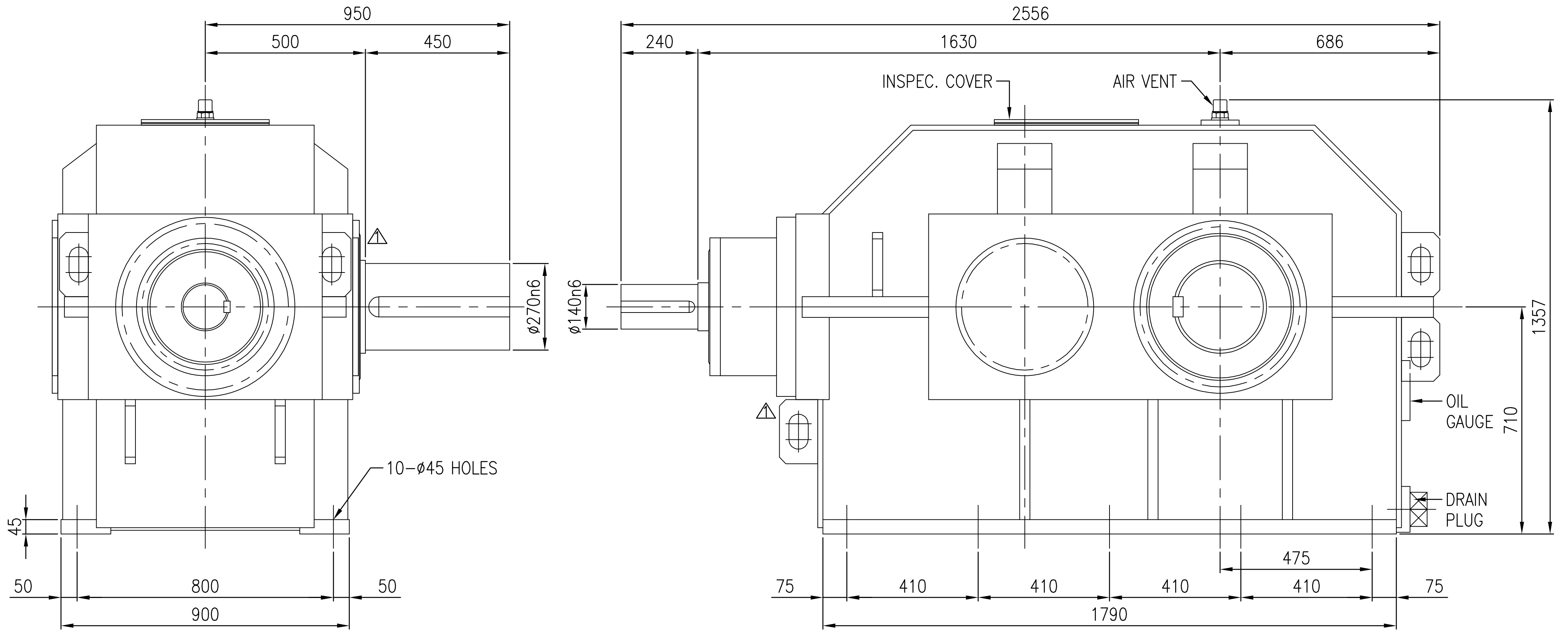


No.	NAME	MATERIAL	DWG/MATL No.	CODE	Q'TY	SIZE	WEIGHT	REMARK
-----	------	----------	--------------	------	------	------	--------	--------



DWG NAME		기어박스 외형도 DIMENSION			
2013.09.26	CHANGED LIFTING LUG	DWG No. <b>EK1D000178</b>		UNIT	mm
No.	DATE	DESIGNED	CHECKED	REVIEWED	APPROVED
1	2013.10.24	박선향	서성민		2013.10.24
DESCRIPTION of REVISION		REVISION NO.		DATE	
		01		2013-09-26	
ITEM		PROJECTION		A	
SKB61 (i=5.6~10)		REF. NO.		DSKEN619	