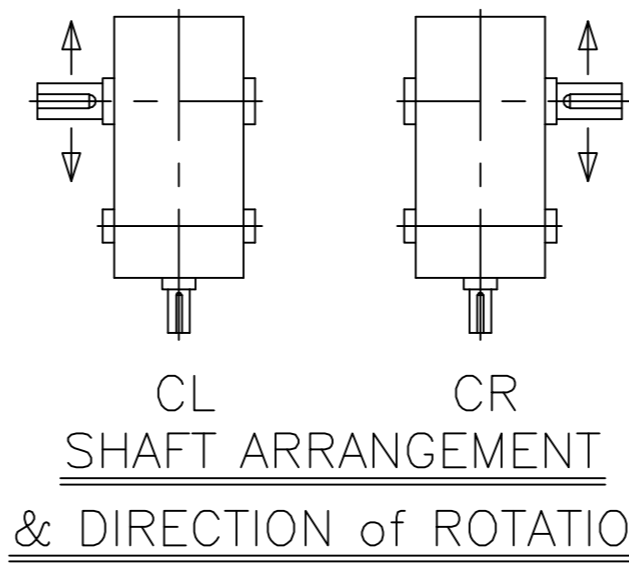
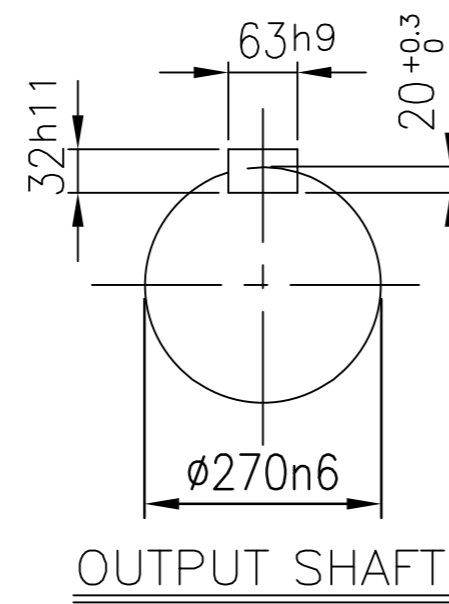
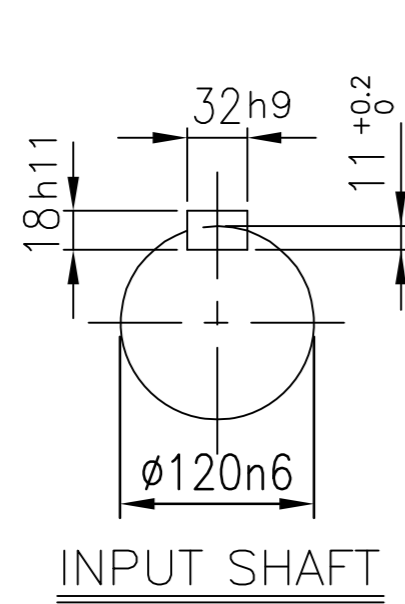
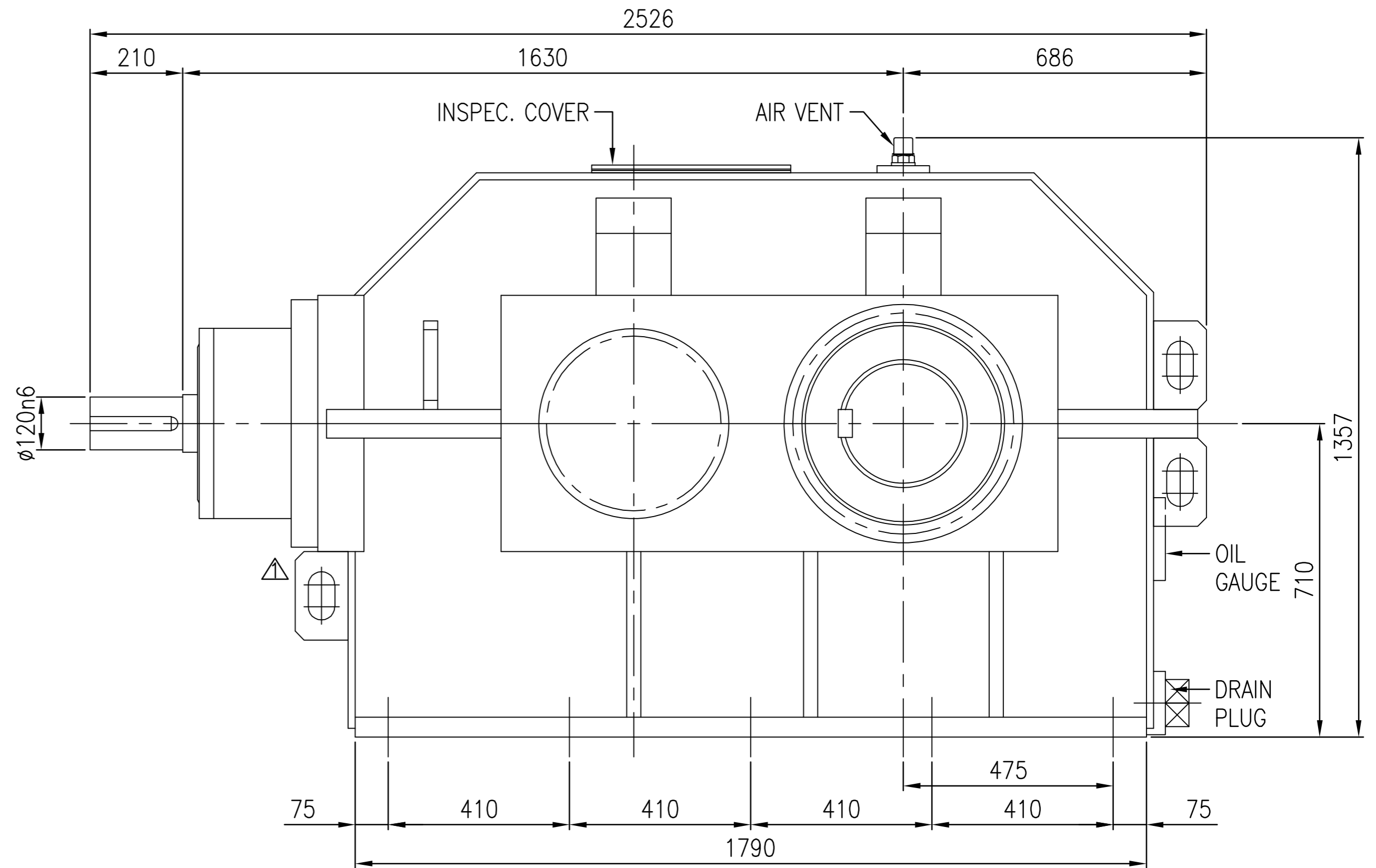
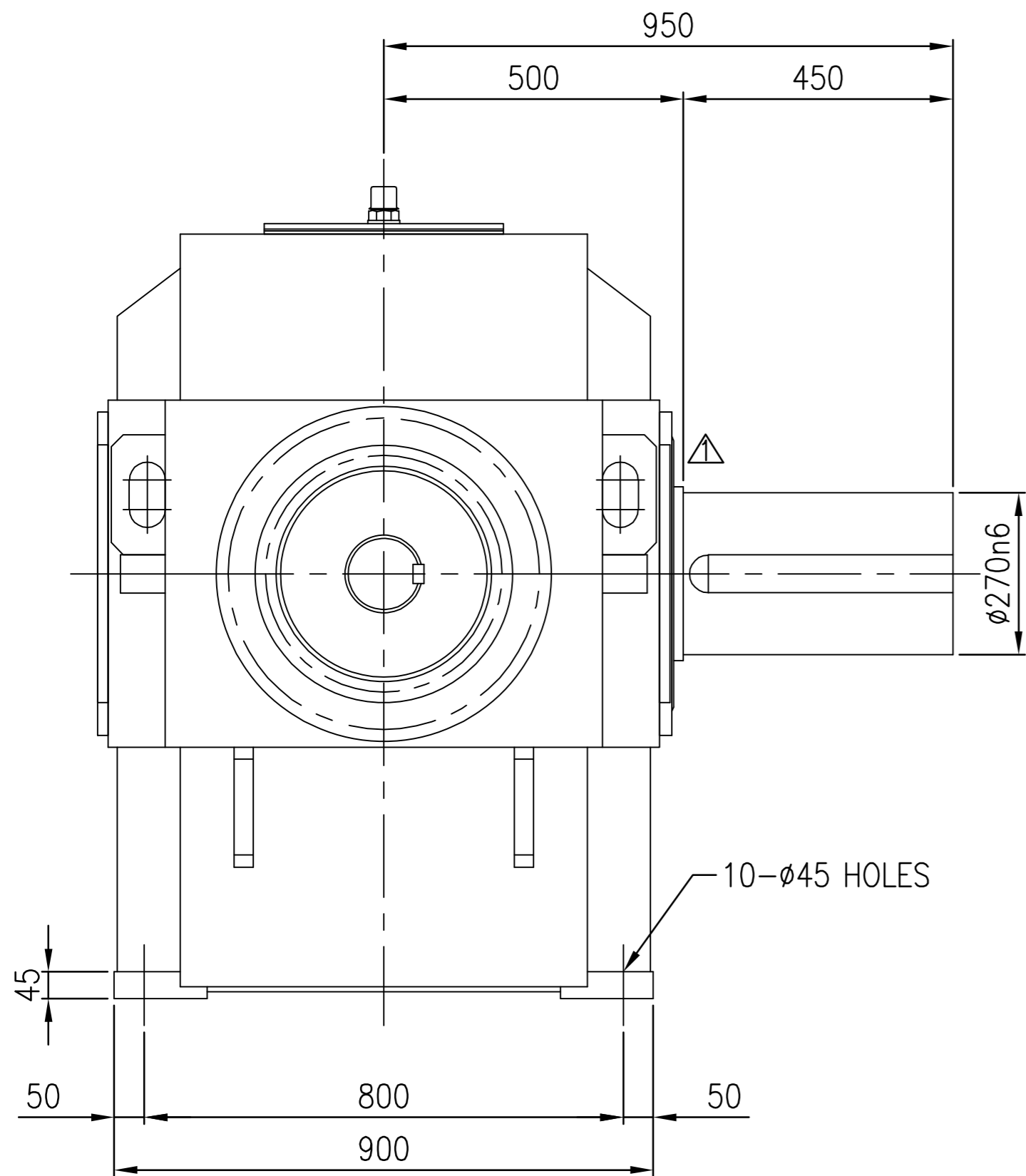


No.	NAME	MATERIAL	DWG/MATL No.	CODE	Q'TY	SIZE	WEIGHT	REMARK
-----	------	----------	--------------	------	------	------	--------	--------



DWG NAME		기어박스 외형도			
DIMENSION		DIMENSION			
2013.09.26	CHANGED LIFTING LUG	DWG No. EK1D000179		UNIT	mm
No.	DATE	DESIGNED	CHECKED	REVIEWED	APPROVED
		2013.10.24	2013.10.24		2013.10.24
		박선향	서성민		김기동
					REVISION NO. 01
					PROJECTION
FORM CE-14-0100-442 2012.02.08		HYOSUNG		REF. NO.	DSKEN620
ITEM SKB61 (i=11.2~18)					(A)