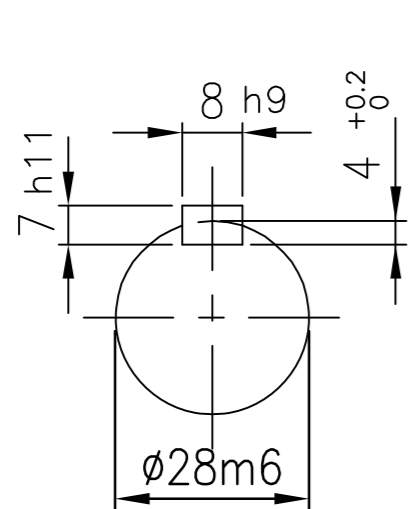
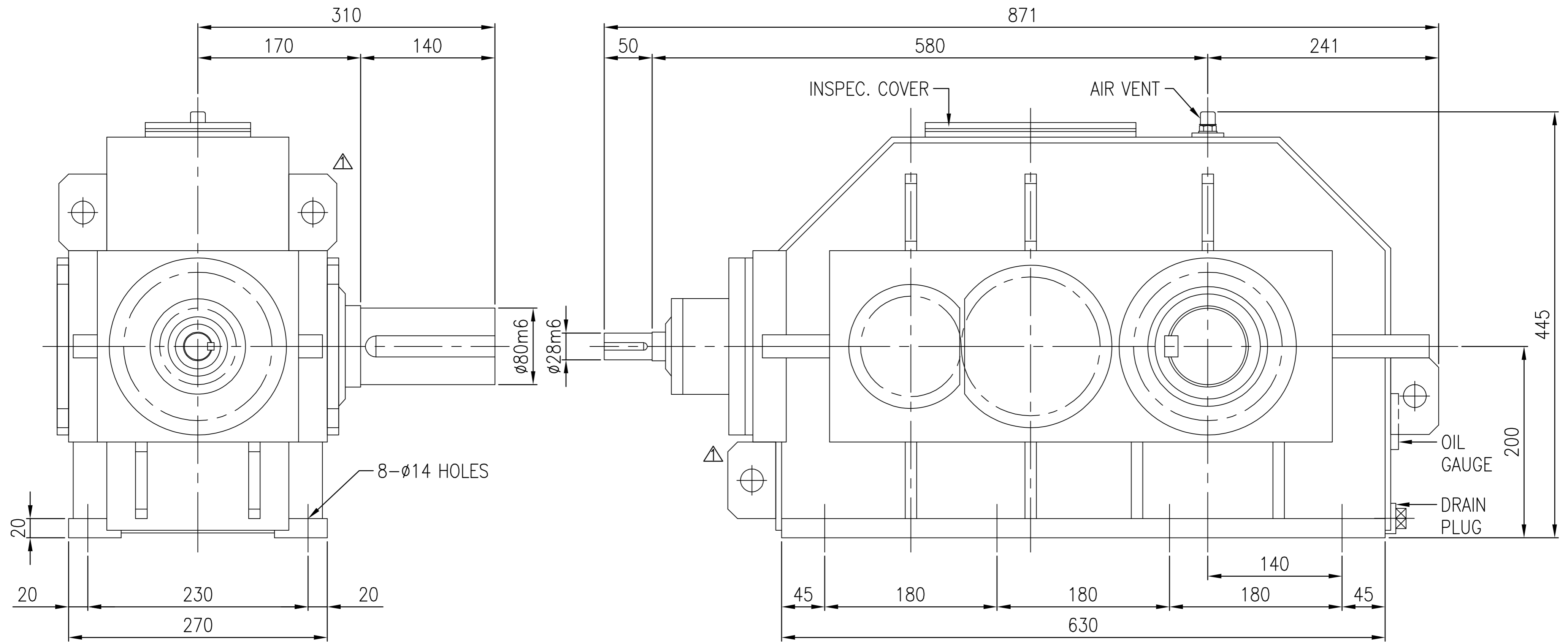
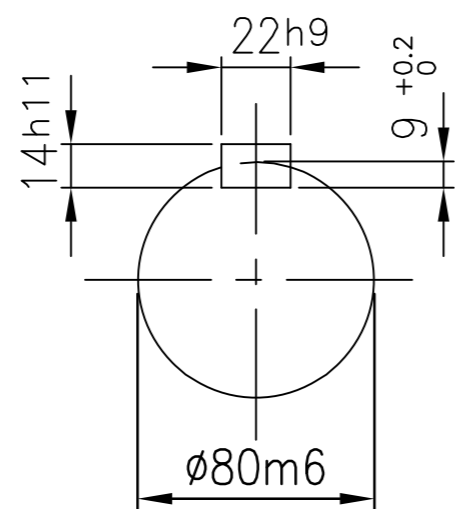


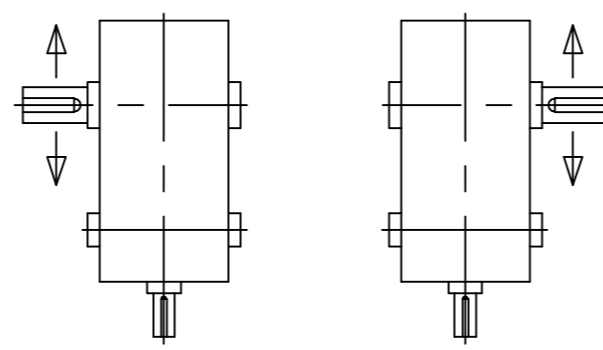
No.	NAME	MATERIAL	DWG/MATL No.	CODE	Q'TY	SIZE	WEIGHT	REMARK
-----	------	----------	--------------	------	------	------	--------	--------



INPUT SHAFT



OUTPUT SHAFT



CL CR
SHAFT ARRANGEMENT
& DIRECTION of ROTATION

DWG NAME		기어박스 외형도 DIMENSION						
No.	DATE	DESCRIPTION of REVISION	DESIGNED	CHECKED	REVIEWED	APPROVED	DATE	2013-09-26
2013.09.26		CHANGED LIFTING LUG	EYK1D000180		UNIT	mm	SCALE 1:3	
FORM CE-14-0100-442 2012.02.06		HYOSUNG		2013.10.24	2013.10.24	2013.10.24	REVISION NO.	01
ITEM		SKC18 (i=20~40)		REF. NO.	DSKEN621		PROJECTION	(A)