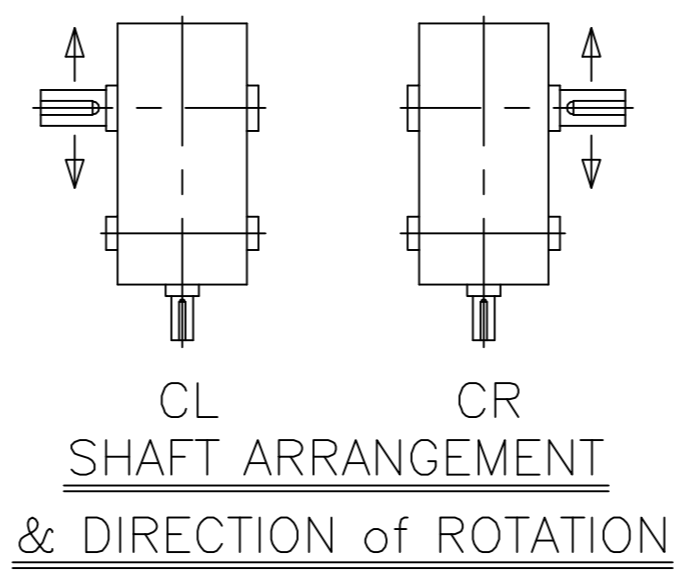
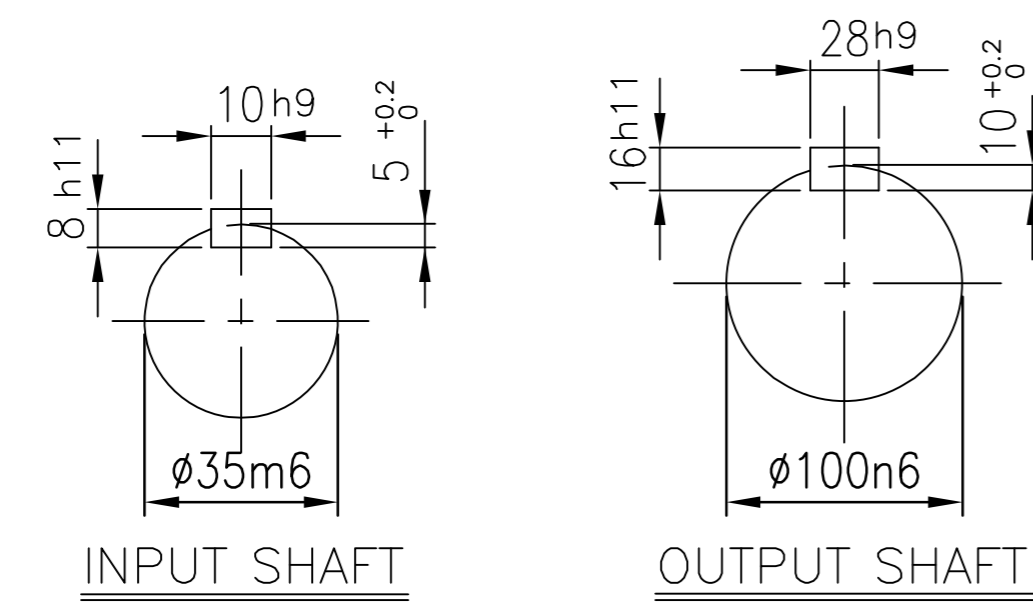
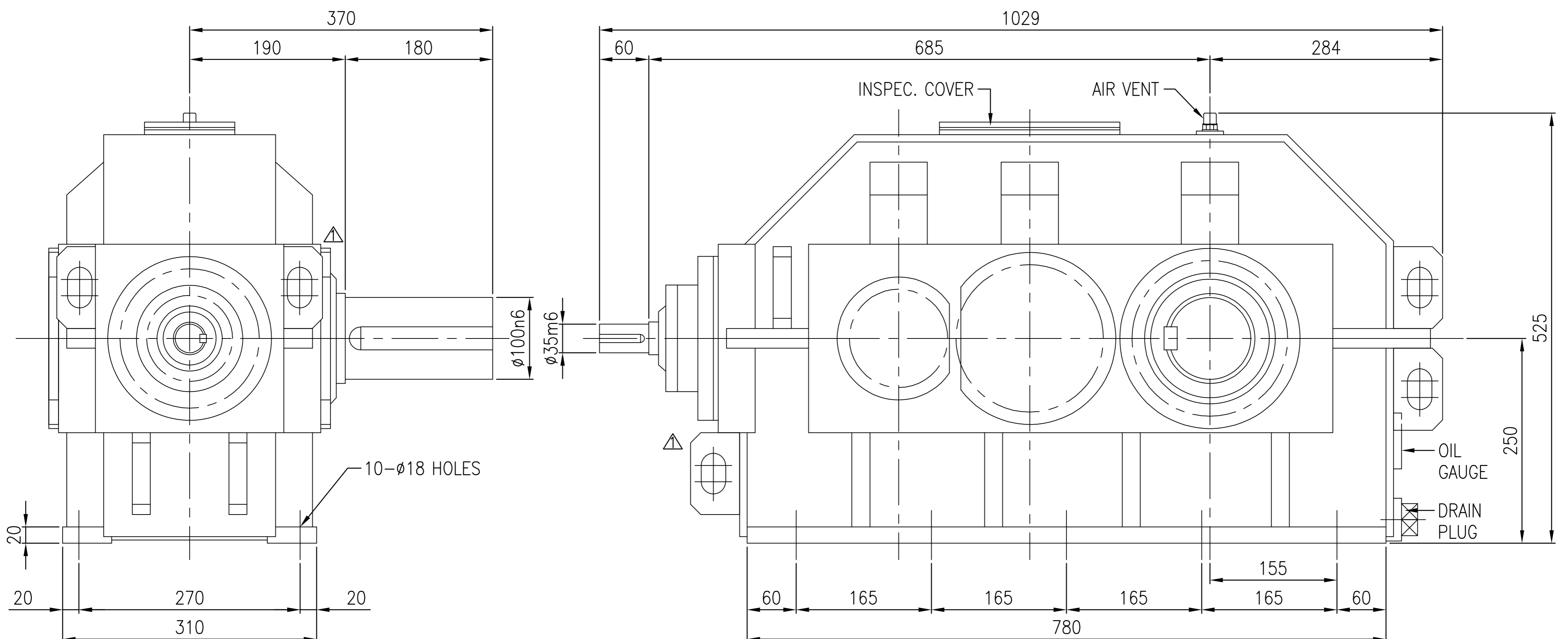


No.	NAME	MATERIAL	DWG/MATL No.	CODE	Q'TY	SIZE	WEIGHT	REMARK
-----	------	----------	--------------	------	------	------	--------	--------



DWG NAME		기어박스 외형도 DIMENSION						
No.	DATE	DESCRIPTION of REVISION	DESIGNED	CHECKED	REVIEWED	APPROVED	DATE	2013-09-26
2013.09.26		CHANGED LIFTING LUG						
FORM CE-14-0100-442 2012.02.06				2013.10.24	2013.10.24	2013.10.24	REVISION NO.	01
ITEM		SKC22 (i=20~40)		박선향	서성민	김기동	PROJECTION	
REF. NO.		DSKEN623						(A)