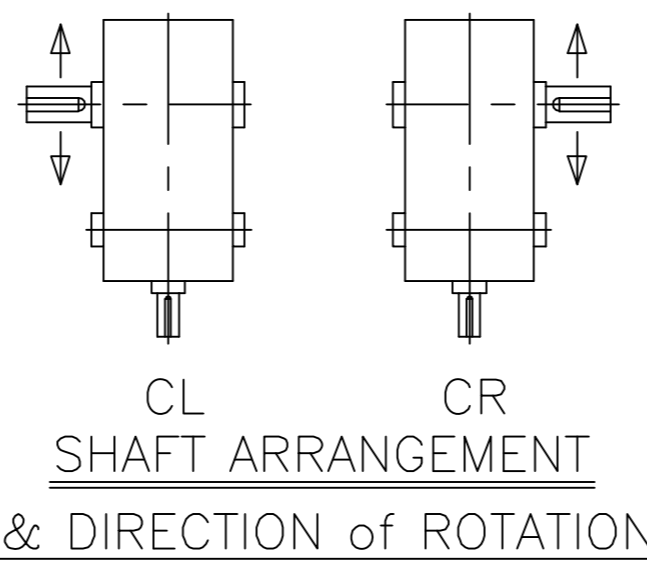
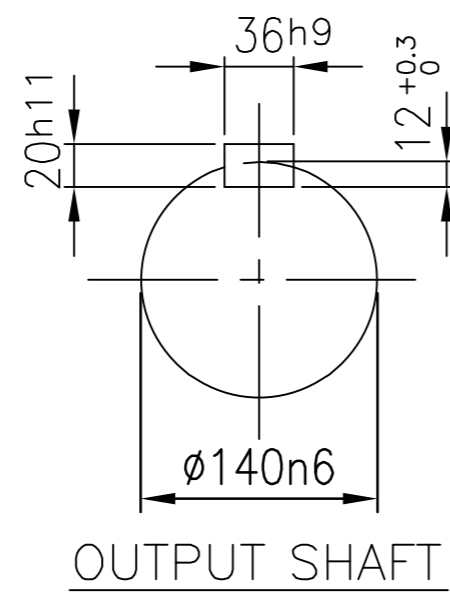
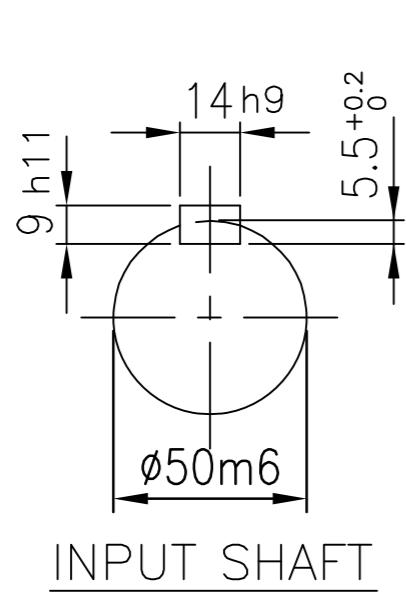
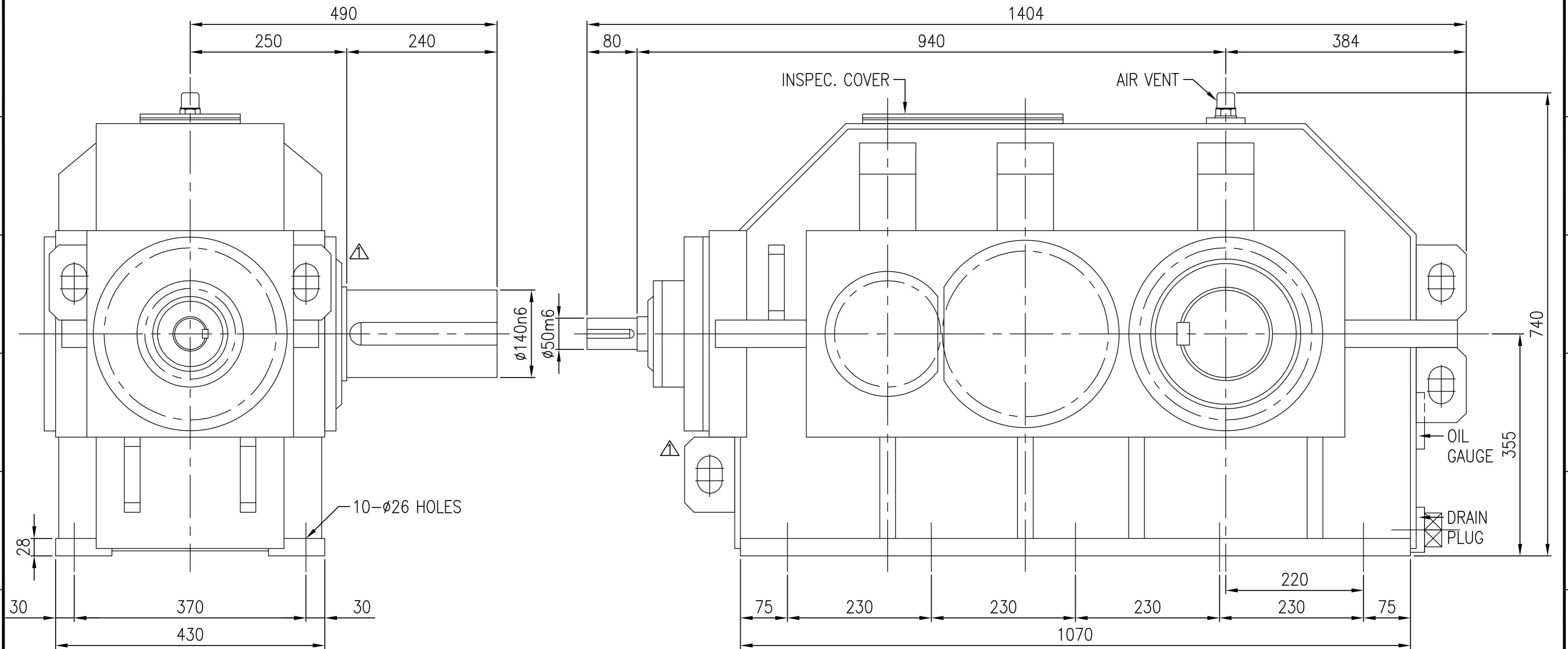


No.	NAME	MATERIAL	DWG/MATL No.	CODE	Q'TY	SIZE	WEIGHT	REMARK
-----	------	----------	--------------	------	------	------	--------	--------



DWG NAME		기어박스 외형도			
DIMENSION		DIMENSION			
DWG No.		EK1D000186		UNIT	mm
SCALE		1:4.5			
No.	DATE	DESCRIPTION of REVISION		DESIGNED	CHECKED
2013.09.26		CHANGED LIFTING LUG		2013.10.24	2013.10.24
				REVIEWED	APPROVED
				2013.10.24	2013.10.24
				DATE	2013-09-26
				REVISION NO.	01
				PROJECTION	1
FORM		HYOSUNG			
CE-14-0100-442		SKC32 (i=20~40)		REF. NO. DSKEN627	
2012.02.08					