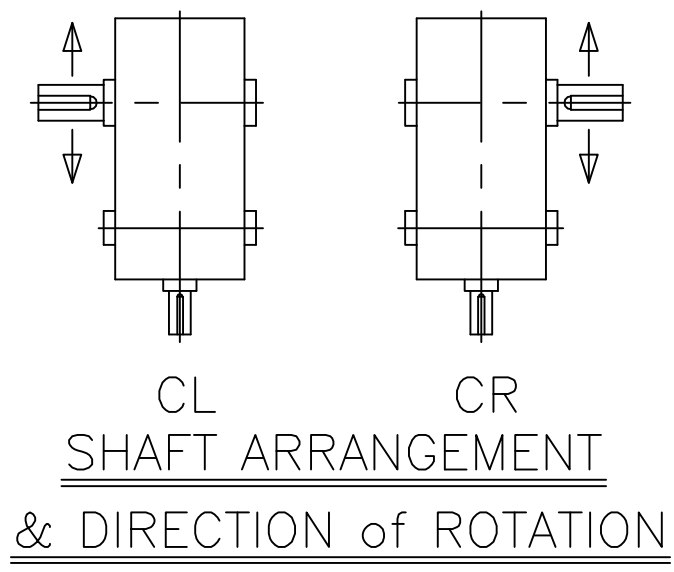
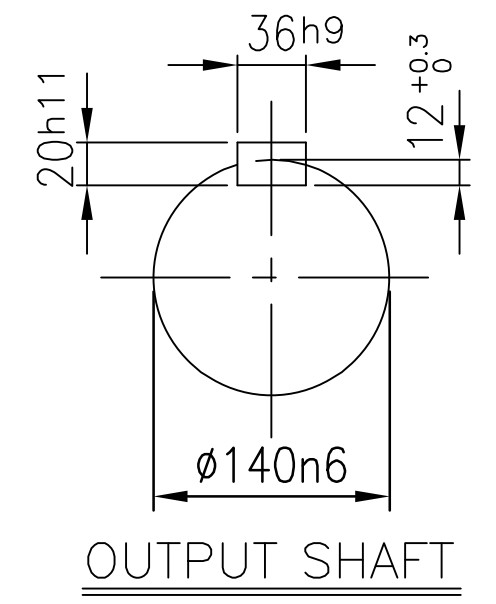
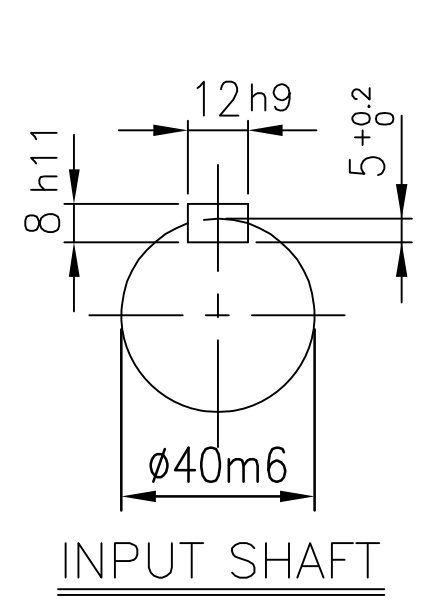
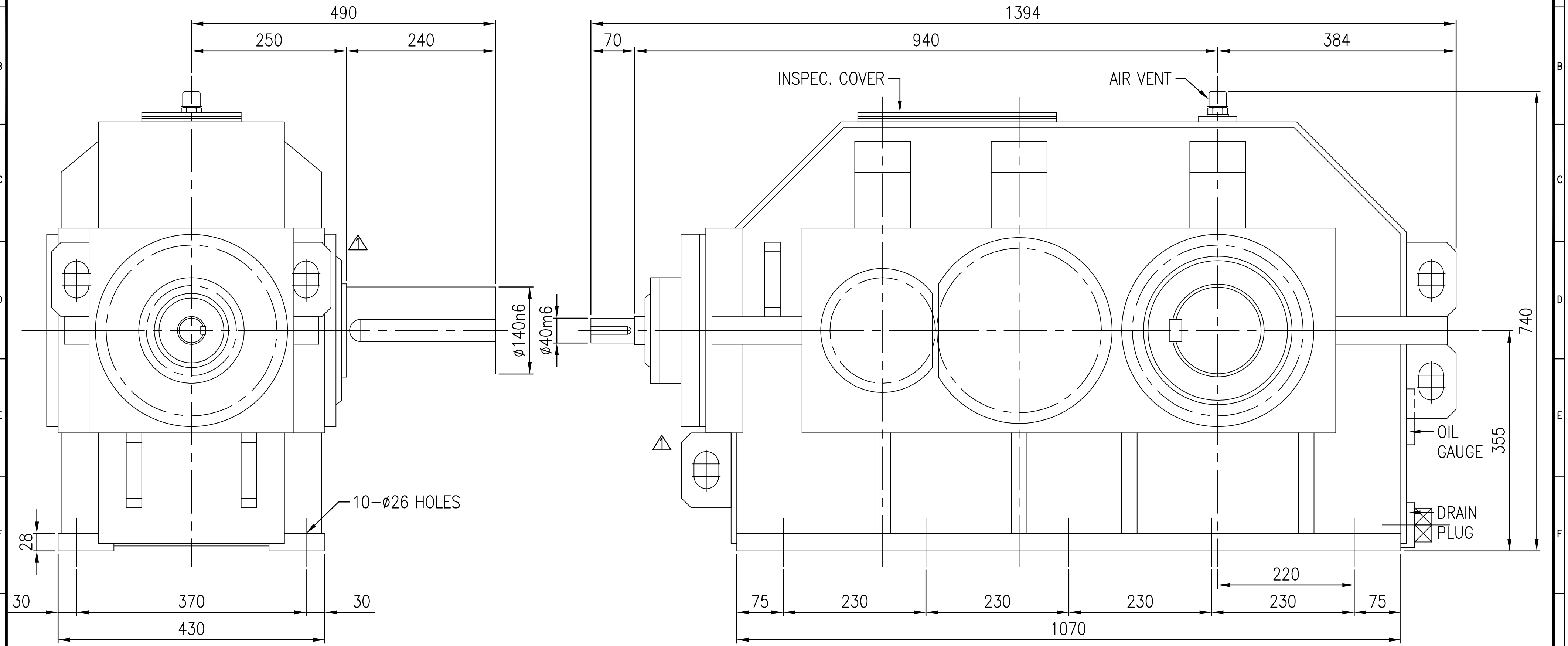


No.	NAME	MATERIAL	DWG/MATL No.	CODE	Q'TY	SIZE	WEIGHT	REMARK
-----	------	----------	--------------	------	------	------	--------	--------



DWG NAME		기어박스 외형도						
DIMENSION		DIMENSION						
DWG No.		EK1D000187		UNIT	mm			
SCALE		1:4.5						
No.	DATE	DESCRIPTION of REVISION	DESIGNED	CHECKED	REVIEWED	APPROVED	DATE	2013-09-26
1	2013.09.26	CHANGED LIFTING LUG						
FORM		HYOSUNG		2013.10.24		2013.10.24		REVISION NO.
CE-14-0100-442		박선향		서성민		김기동		01
2012.02.06		SKC32 (i=45~80)		REF. NO.		DSKEN628		PROJECTION
								(A)