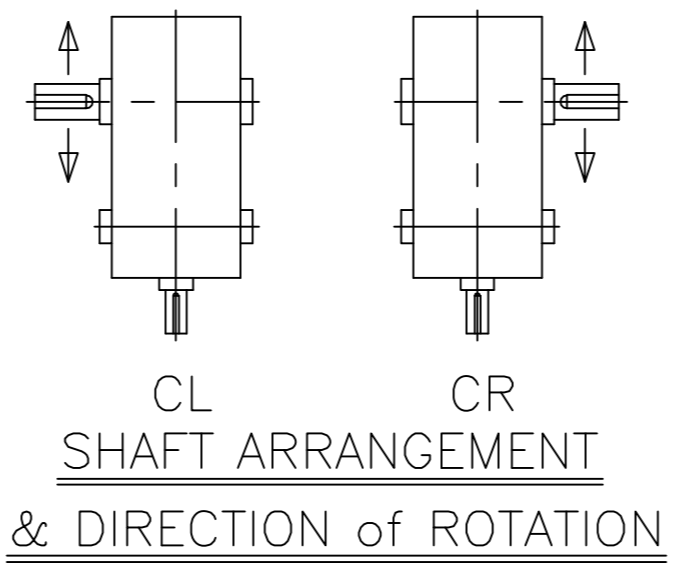
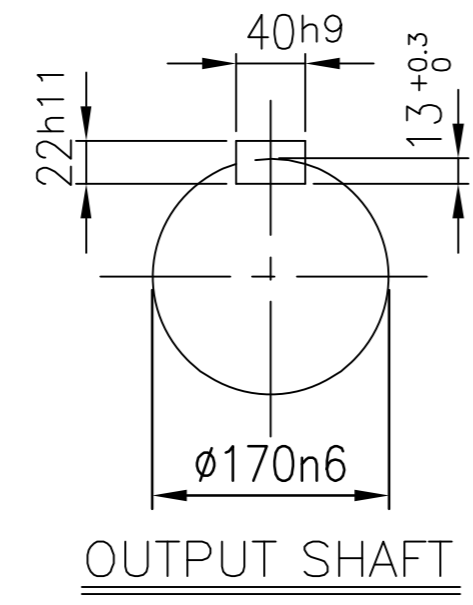
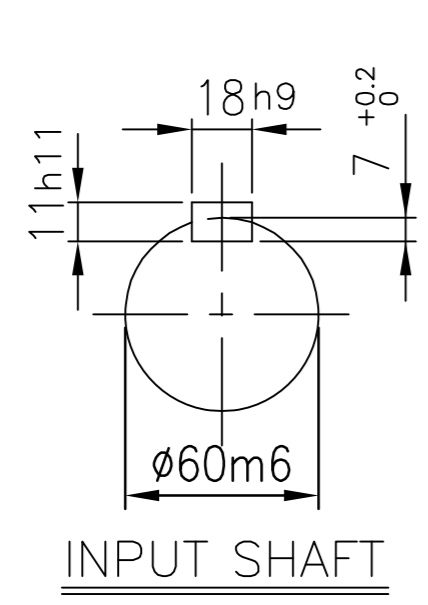
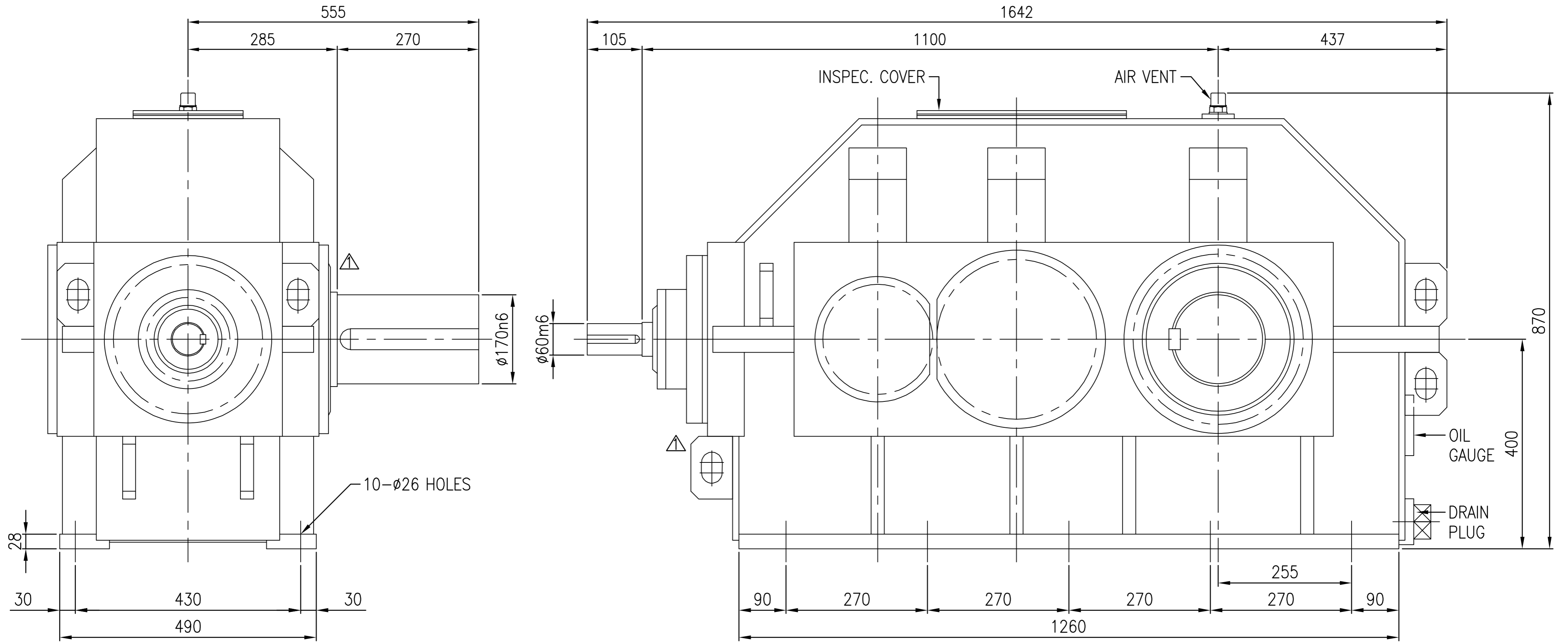


No.	NAME	MATERIAL	DWG/MATL No.	CODE	Q'TY	SIZE	WEIGHT	REMARK
-----	------	----------	--------------	------	------	------	--------	--------



DWG NAME		기어박스 외형도 DIMENSION						
DWG No.		EK1D000188		UNIT	mm			
SCALE		1:5.5						
No.	DATE	DESCRIPTION of REVISION	DESIGNED	CHECKED	REVIEWED	APPROVED	DATE	2013-09-26
1	2013.09.26	CHANGED LIFTING LUG						
FORM		HYOSUNG		2013.10.24	2013.10.24		2013.10.24	REVISION NO. 01
CE-14-0100-442				박선향	서성민		김기동	PROJECTION
2012.02.08		SKC38 (i=20~40)		REF. NO.		DSKEN629		