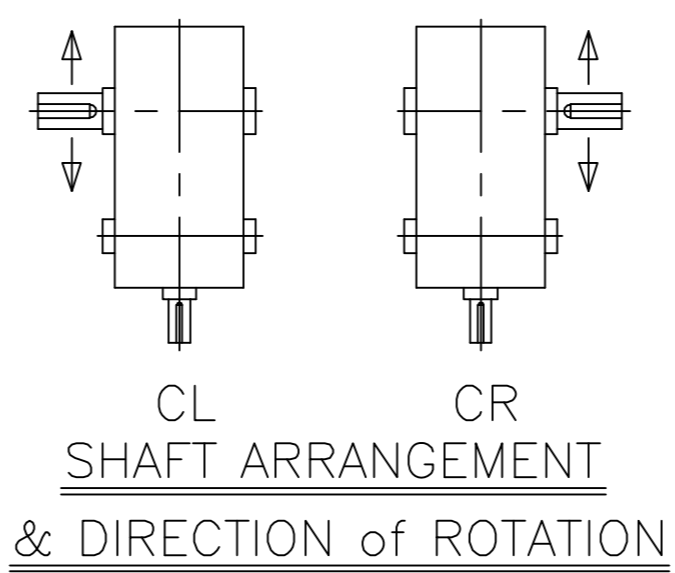
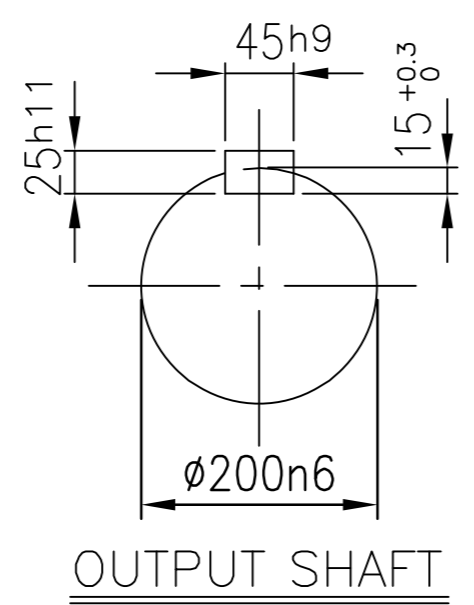
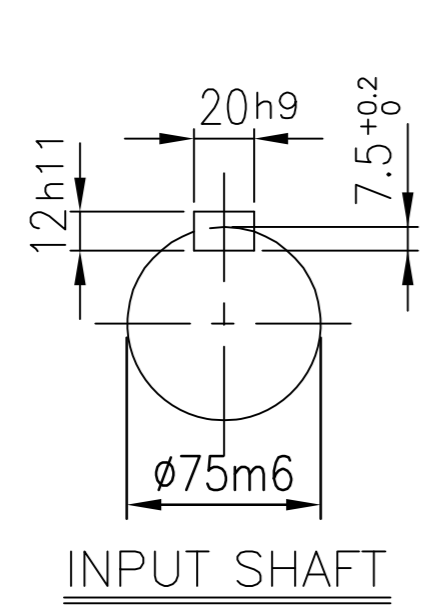
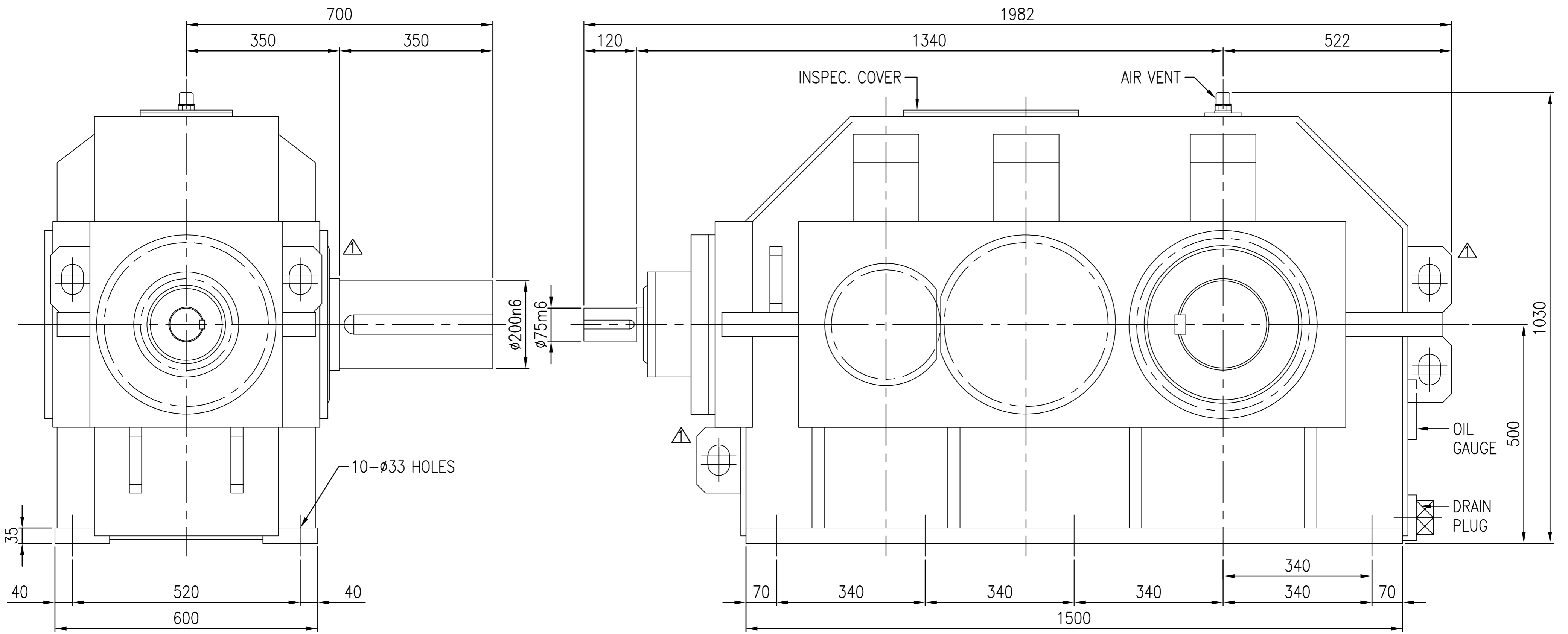


No.	NAME	MATERIAL	DWG/MATL No.	CODE	Q'TY	SIZE	WEIGHT	REMARK
-----	------	----------	--------------	------	------	------	--------	--------



DWG NAME		기어박스 외형도						
DIMENSION		DIMENSION						
No.	DATE	DESCRIPTION of REVISION	DESIGNED	CHECKED	REVIEWED	APPROVED	DATE	2013-09-26
2013.09.26		CHANGED LIFTING LUG						
DWG No.		EYK1D000190		UNIT	mm		SCALE	
						1:6.5		
FORM		HYOSUNG		2013.10.24	2013.10.24	2013.10.24	REVISION NO.	01
CE-14-0100-442				박선향	서성민	김기동	PROJECTION	①
2012.02.06		SKC45 (i=20~40)		REF. NO.		DSKEN631		①