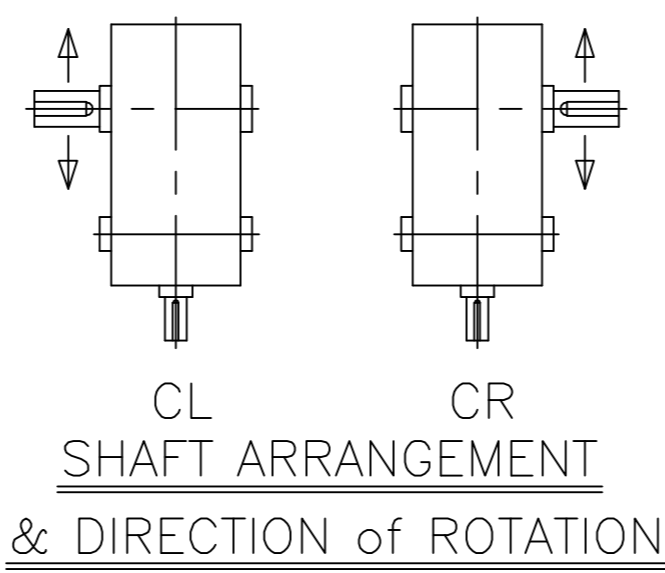
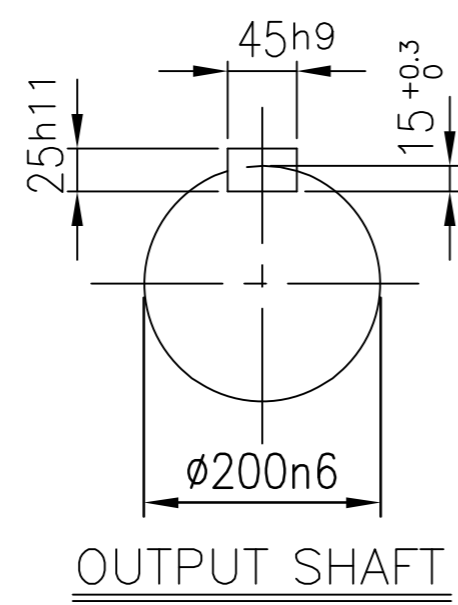
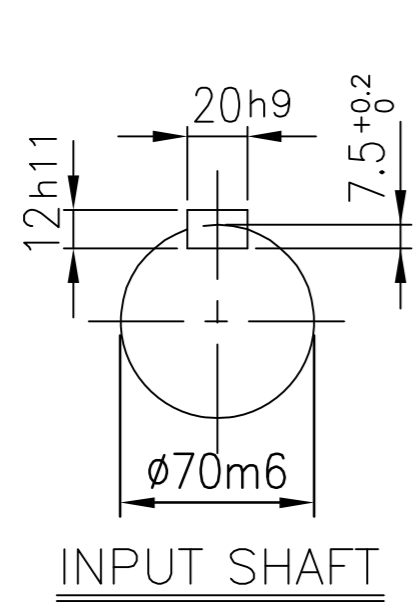
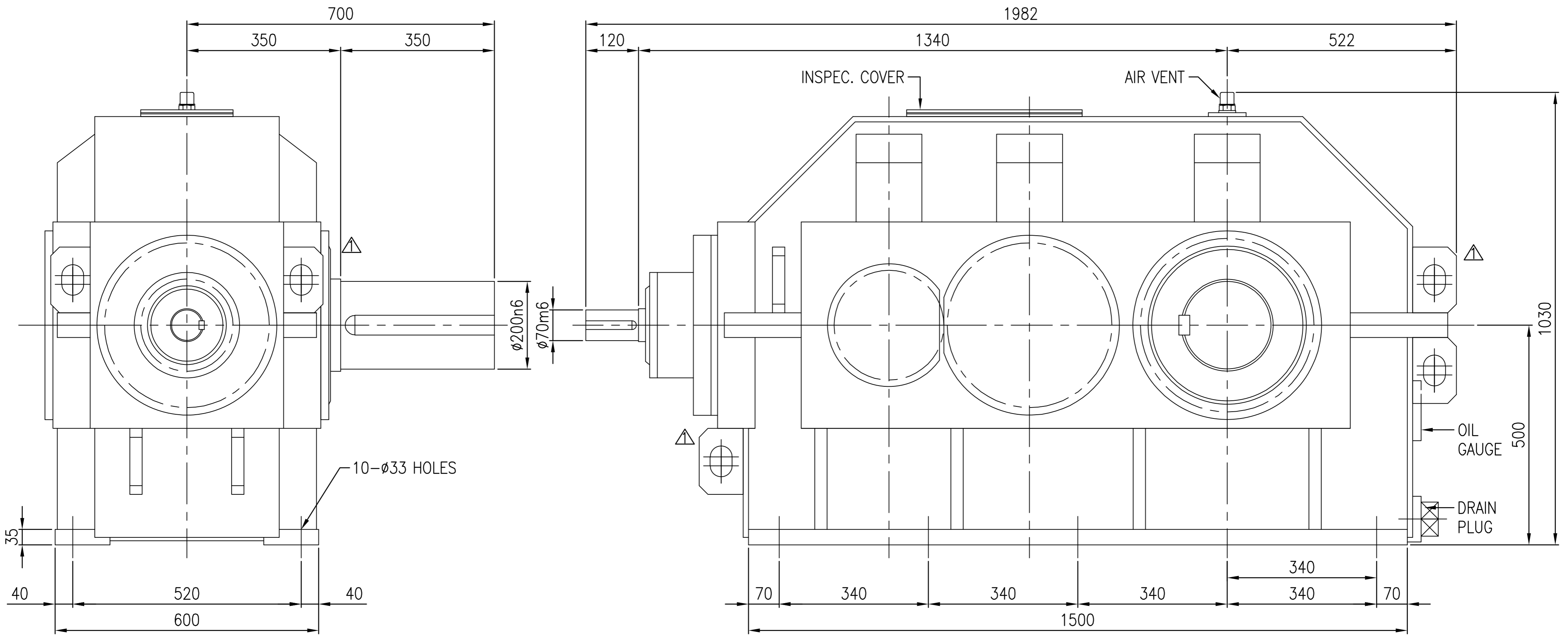


No.	NAME	MATERIAL	DWG/MATL No.	CODE	Q'TY	SIZE	WEIGHT	REMARK
-----	------	----------	--------------	------	------	------	--------	--------



DWG NAME		기어박스 외형도 DIMENSION						
No.	DATE	DESCRIPTION of REVISION	DESIGNED	CHECKED	REVIEWED	APPROVED	DATE	2013-09-26
FORM	CE-14-0100-442							
2013.09.26		CHANGED LIFTING LUG						
2013.10.24		박선향	2013.10.24	서성민		2013.10.24	김기동	REVISION NO. 01
2017.02.08								PROJECTION
FORM		HYOSUNG	REF. NO.		DSKEN632		(A)	
ITEM		SKC45 (i=45~80)						