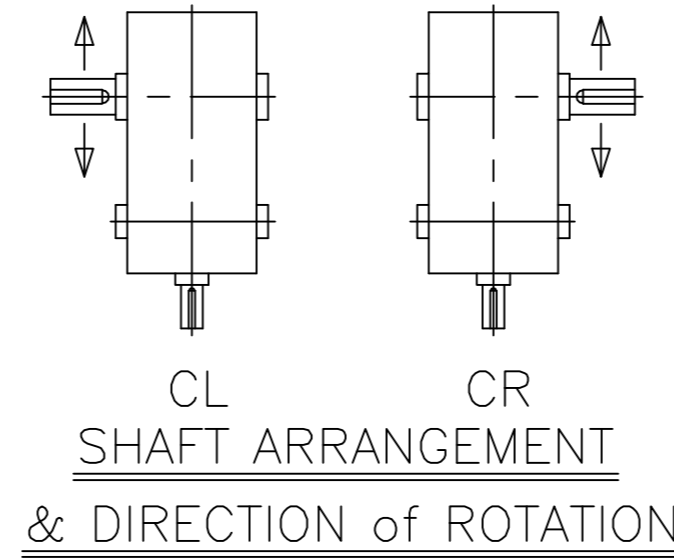
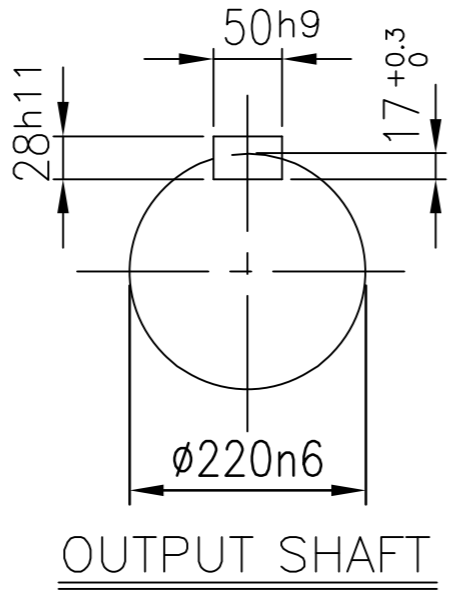
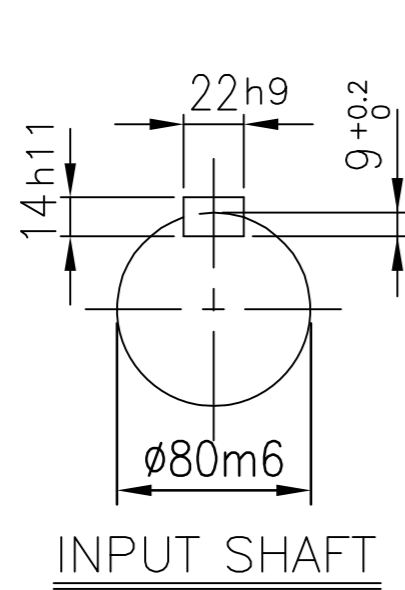
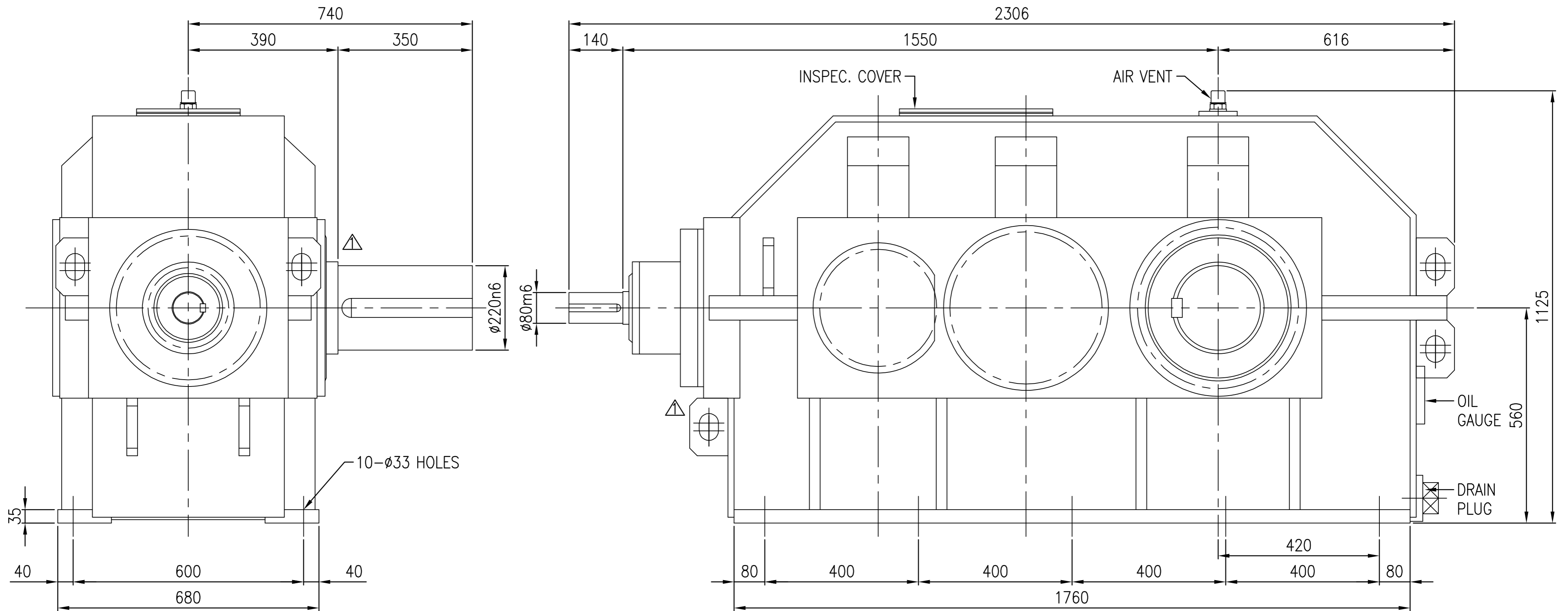


No.	NAME	MATERIAL	DWG/MATL No.	CODE	Q'TY	SIZE	WEIGHT	REMARK
-----	------	----------	--------------	------	------	------	--------	--------



DWG NAME		기어박스 외형도 DIMENSION						
DWG No.		EK1D000192		UNIT	mm			
SCALE		1:7.5						
No.	DATE	DESCRIPTION of REVISION	DESIGNED	CHECKED	REVIEWED	APPROVED	DATE	2013-09-27
FORM		HYOSUNG		2013.10.24		2013.10.24		REVISION NO. 01
ITEM		SKC50 (i=20~40)		박선향		서성민		PROJECTION
REF. NO.		DSKEN633						(A)