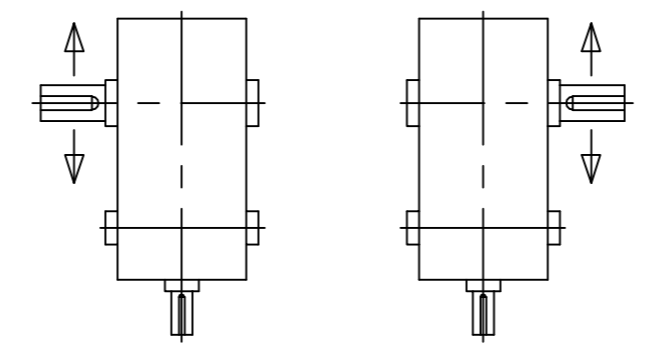
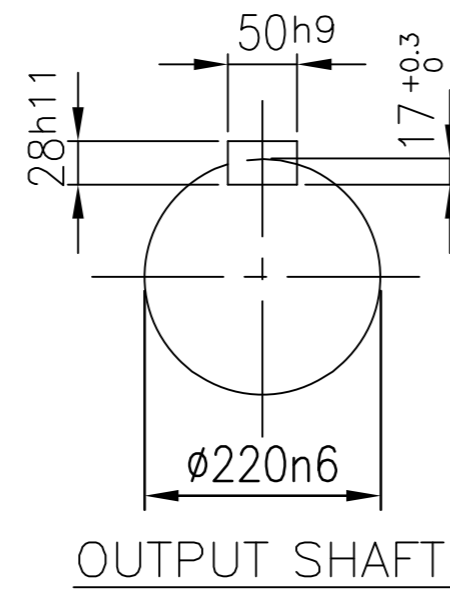
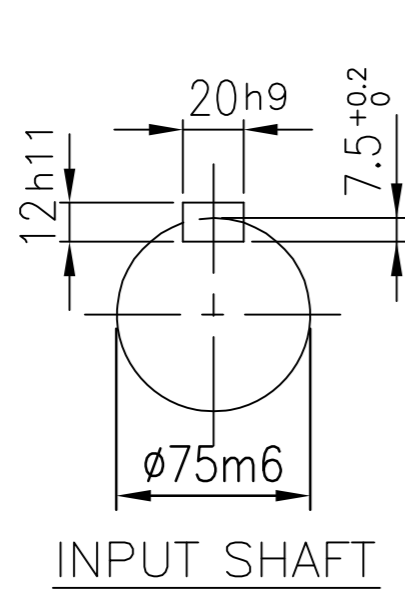
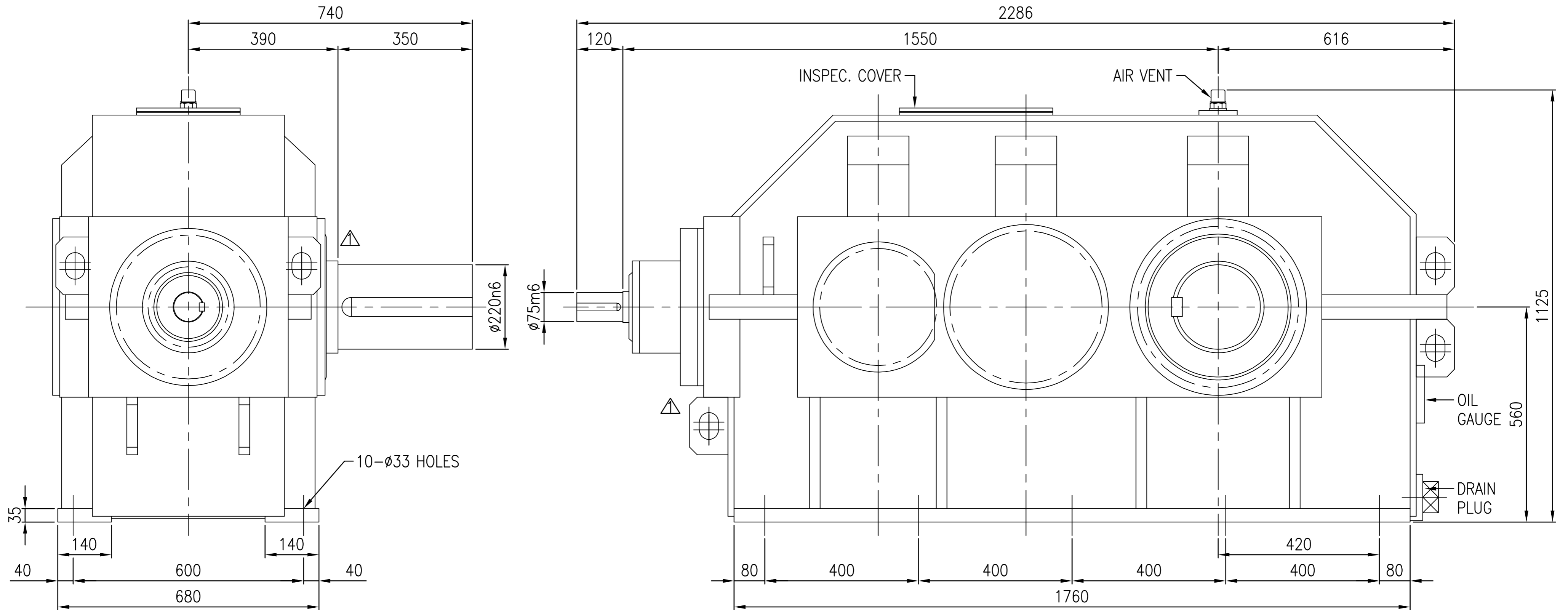


No.	NAME	MATERIAL	DWG/MATL No.	CODE	Q'TY	SIZE	WEIGHT	REMARK
-----	------	----------	--------------	------	------	------	--------	--------



DWG NAME		기어박스 외형도 DIMENSION			
2013.09.27	CHANGED LIFTING LUG	DWG No. EK1D000193		UNIT	mm
No.	DATE	DESCRIPTION of REVISION		SCALE	1:7.5
FORM	CE-14-0100-442	DESIGNED	CHECKED	REVIEWED	APPROVED
CE-14-0100-442	2012.02.06	박선희	서성민	김기동	2013-09-27
ITEM	SKC50 (i=45~80)	DATE	2013-10-24	REVISION NO.	01
REF. NO.		DSKEN634		PROJECTION	⊕