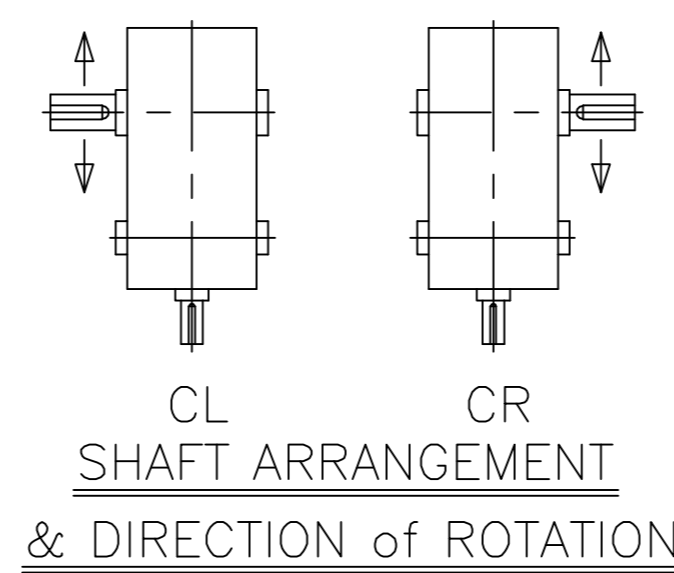
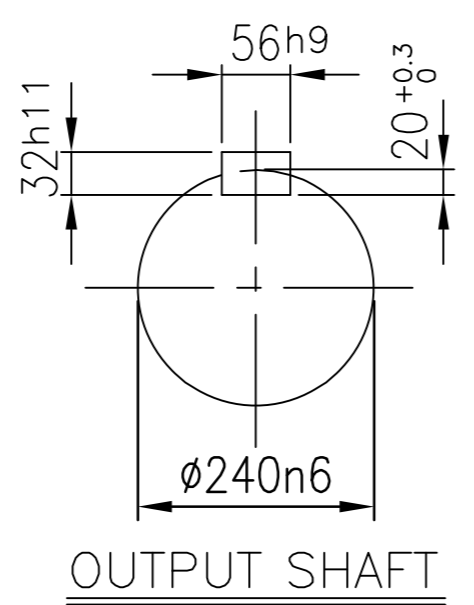
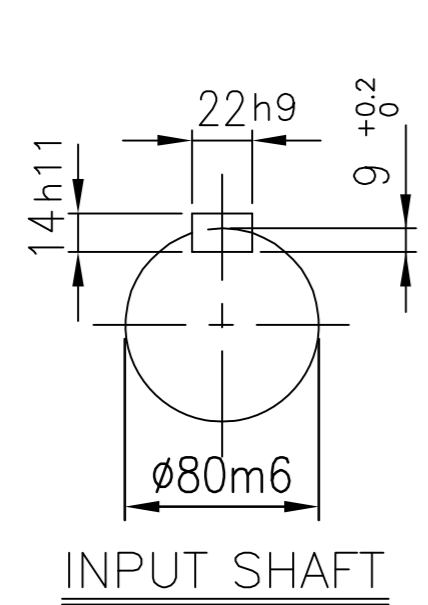
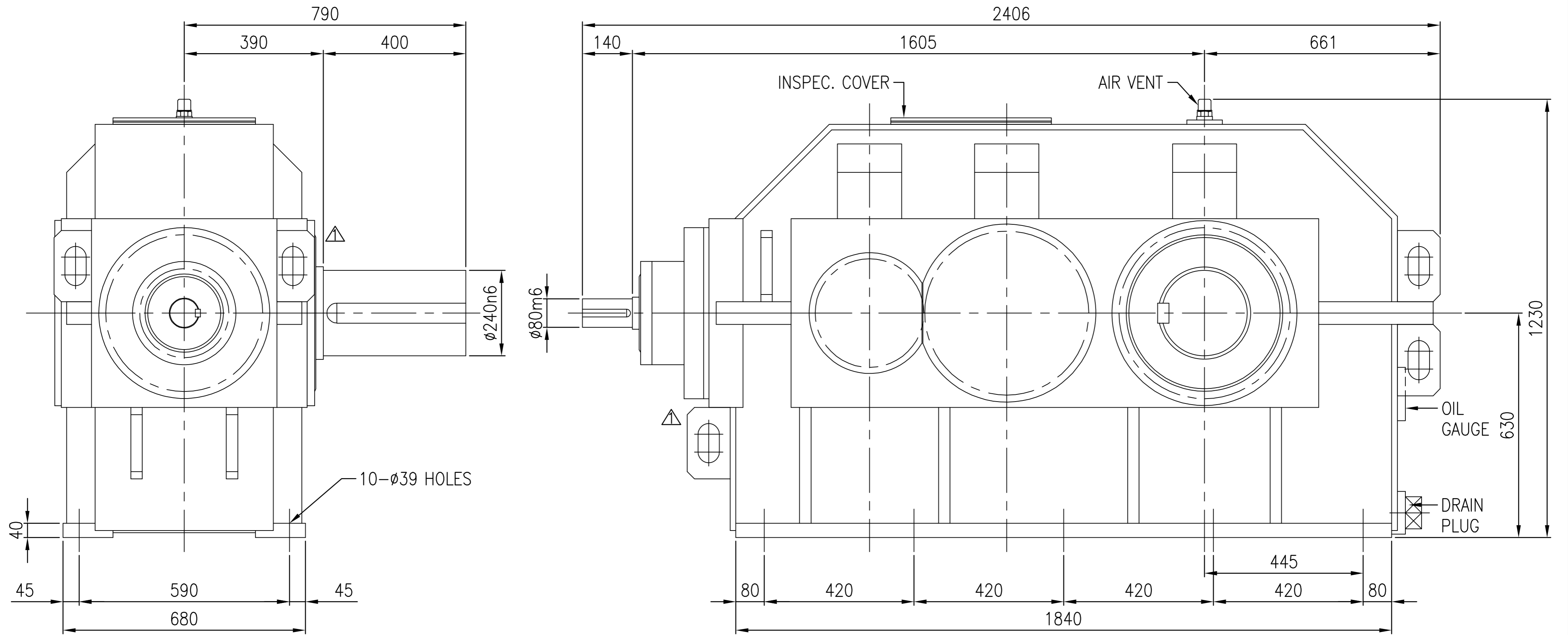


No.	NAME	MATERIAL	DWG/MATL No.	CODE	Q'TY	SIZE	WEIGHT	REMARK
-----	------	----------	--------------	------	------	------	--------	--------



DWG NAME		기어박스 외형도 DIMENSION			
2013.09.27	CHANGED LIFTING LUG	DWG No. EK1D000195		UNIT	mm
No.	DATE	DESIGNED	CHECKED	REVIEWED	APPROVED
		2013.10.24	2013.10.24		2013.10.24
DESCRIPTION of REVISION		REVISION NO. 01		DATE 2013-09-27	
FORM		PROJECTION		A	
CE-14-0100-442 2012.02.06		HYOSUNG		REF. NO. DSKEN636	
ITEM		SKC56 (i=45~80)			