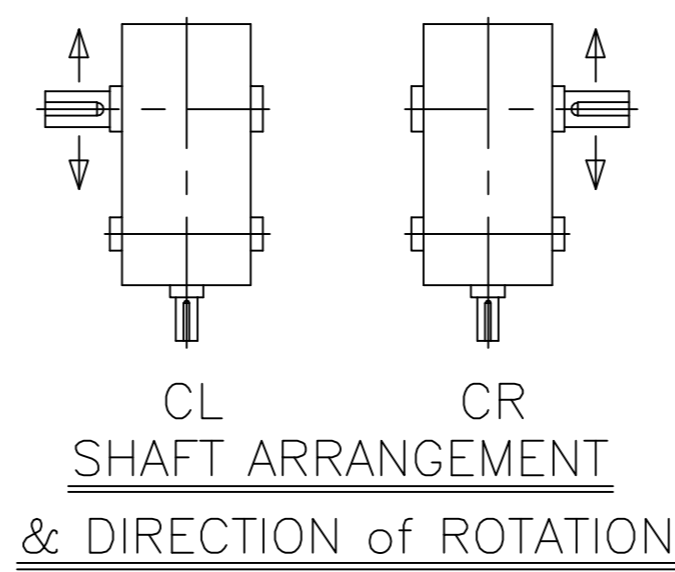
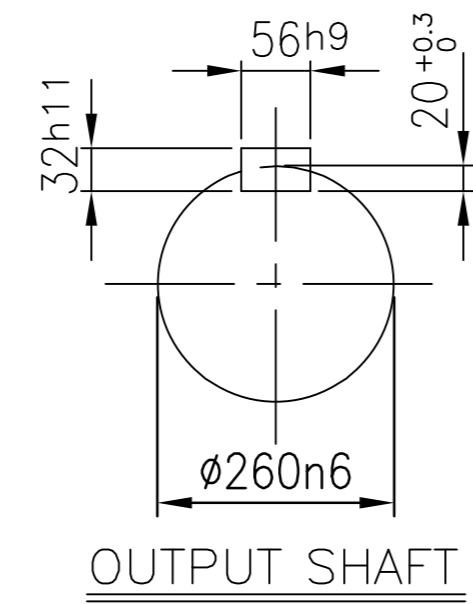
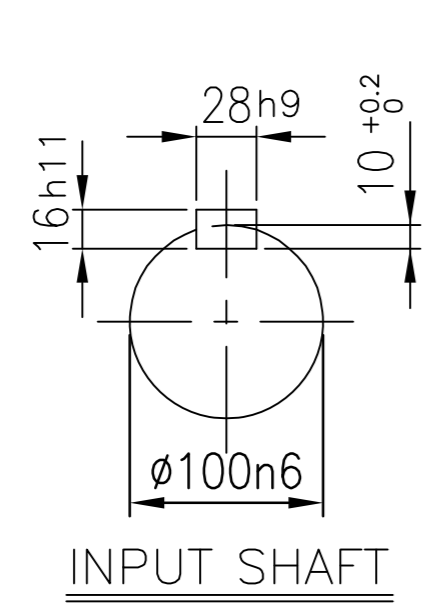
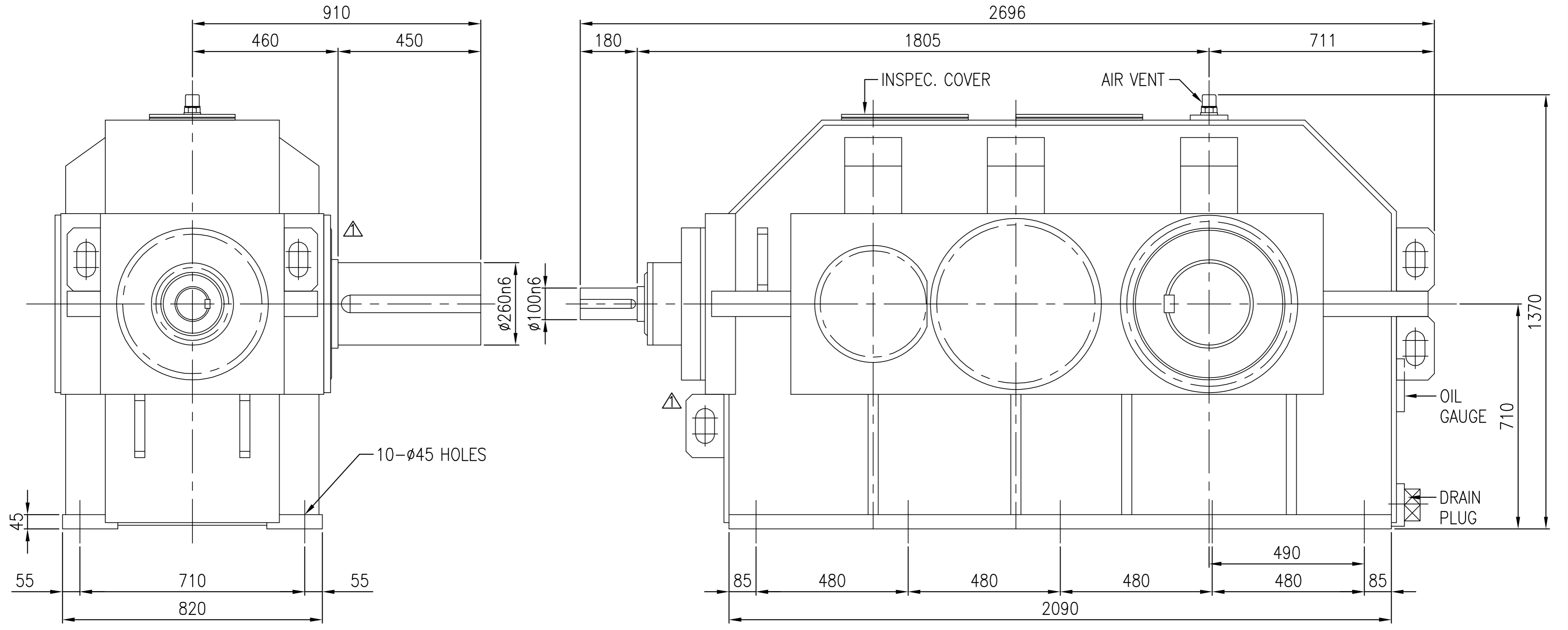


No.	NAME	MATERIAL	DWG/MATL No.	CODE	Q'TY	SIZE	WEIGHT	REMARK
-----	------	----------	--------------	------	------	------	--------	--------



DWG NAME		기어박스 외형도 DIMENSION			
2013.09.27	CHANGED LIFTING LUG	DWG No. EK1D000196		UNIT	mm
No.	DATE	DESIGNED	CHECKED	REVIEWED	APPROVED
1	2013.10.24	박선희	서성민		2013.10.24
DESCRIPTION of REVISION		REVISION NO.		DATE	
1		01		2013-09-27	
ITEM		PROJECTION		A	
SKC61 (i=20~40)		REF. NO.		DSKEN637	