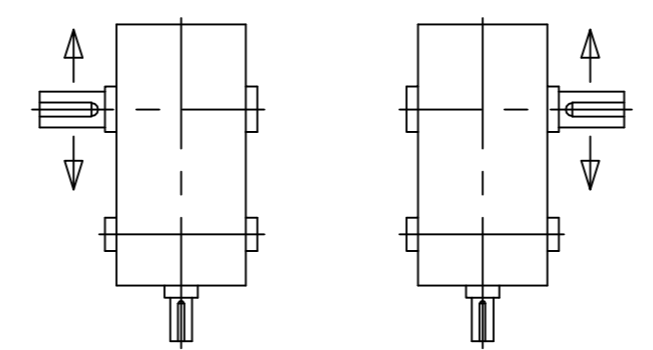
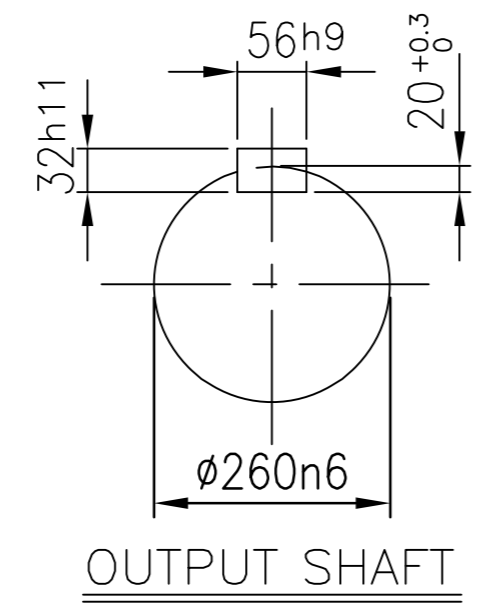
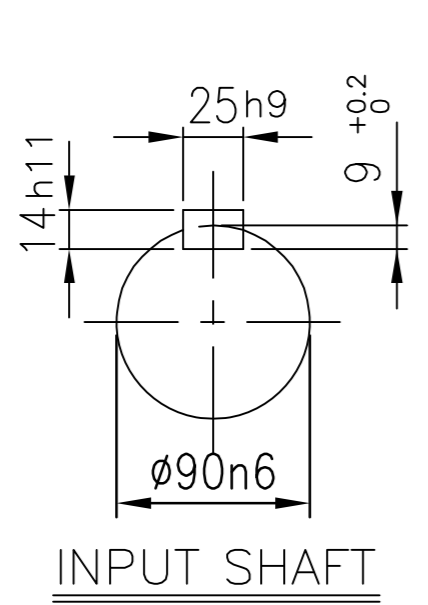
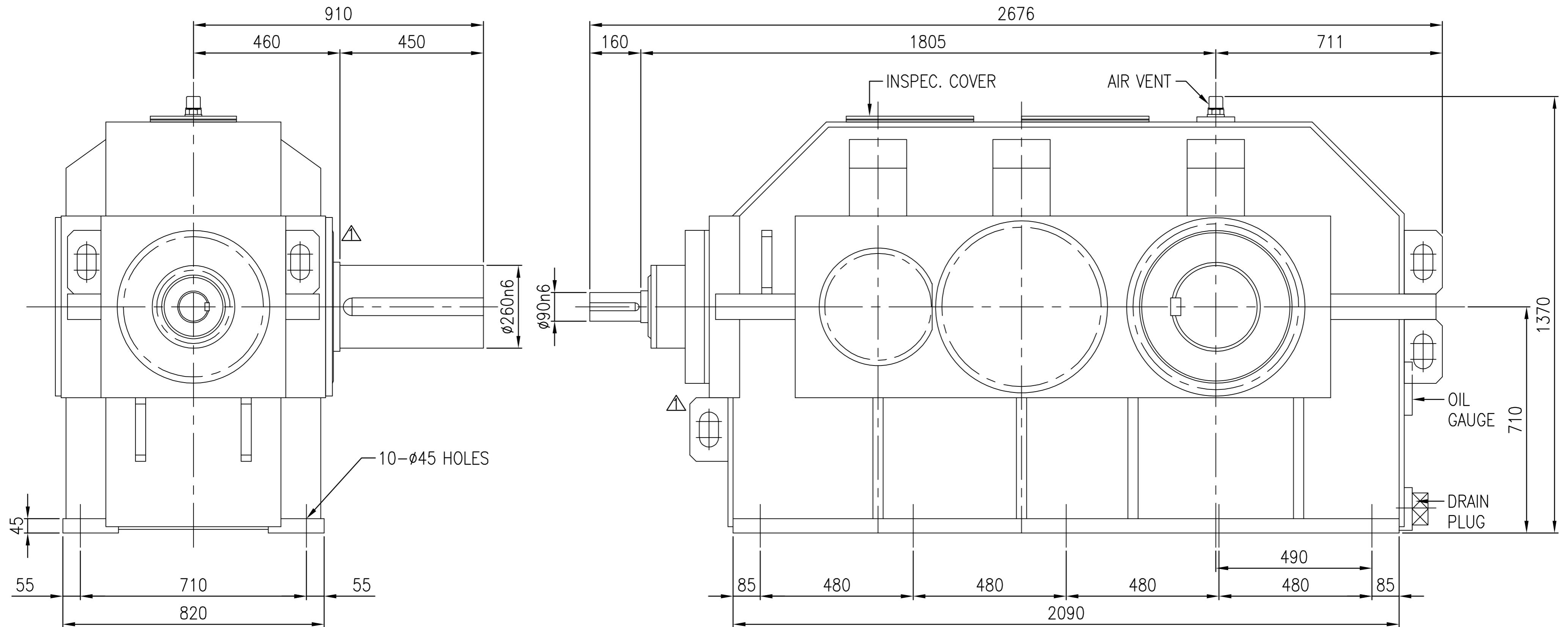


No.	NAME	MATERIAL	DWG/MATL No.	CODE	Q'TY	SIZE	WEIGHT	REMARK
-----	------	----------	--------------	------	------	------	--------	--------



DWG NAME		기어박스 외형도 DIMENSION			
2013.09.27	CHANGED LIFTING LUG	DWG No. EK1D000197		UNIT	mm
No.	DATE	DESIGNED	CHECKED	REVIEWED	APPROVED
		박선희	서성민		김기동
FORM		HYOSUNG		REVISION NO.	01
ITEM		SKC61 (i=45~80)		PROJECTION	☉
		REF. NO.	DSKEN638		