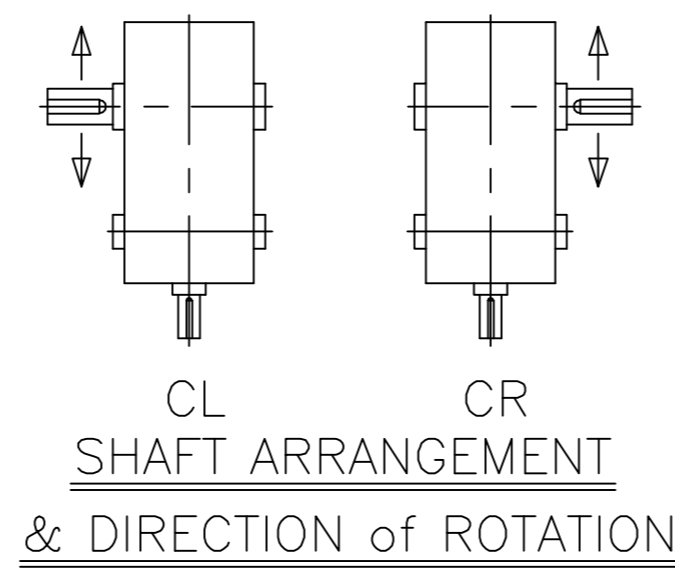
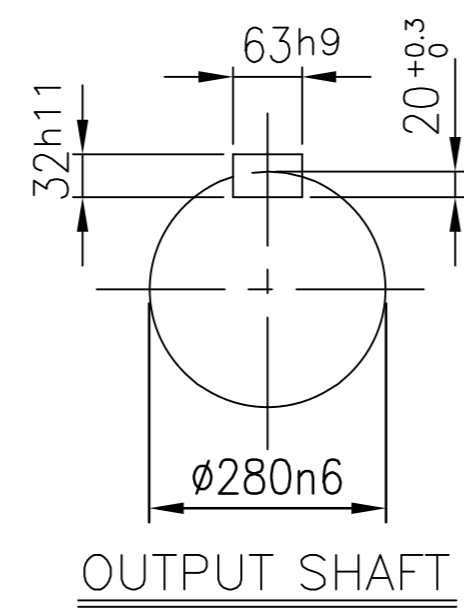
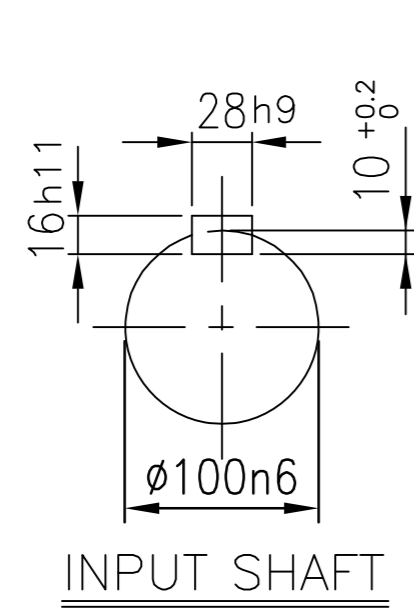
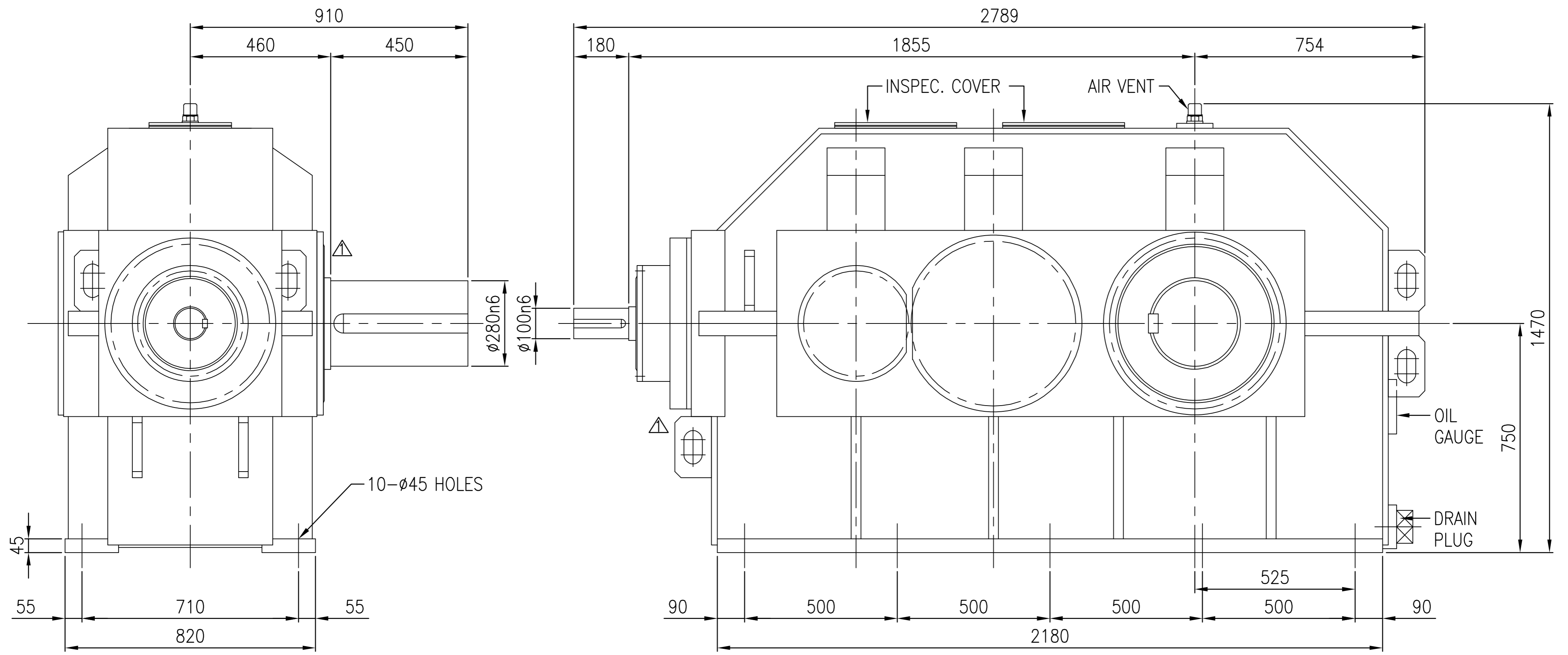


| No. | NAME | MATERIAL | DWG/MATL No. | CODE | Q'TY | SIZE | WEIGHT | REMARK |
|-----|------|----------|--------------|------|------|------|--------|--------|
|-----|------|----------|--------------|------|------|------|--------|--------|



| DWG NAME                       |                     | 기어박스 외형도                  |         |                 |            |
|--------------------------------|---------------------|---------------------------|---------|-----------------|------------|
| DIMENSION                      |                     | DIMENSION                 |         |                 |            |
| 2013.09.27                     | CHANGED LIFTING LUG | DWG No. <b>EK1D000198</b> |         | UNIT            | mm         |
| No.                            | DATE                | DESIGNED                  | CHECKED | REVIEWED        | APPROVED   |
| 1                              | 2013.10.24          | 박선향                       | 서성민     |                 | 2013.10.24 |
| DESCRIPTION of REVISION        |                     | REVISION NO. 01           |         | DATE YYYY-MM-DD |            |
| FORM CE-14-0100-4A2 2012.02.08 |                     | HYOSUNG                   |         | PROJECTION      |            |
| ITEM SKC66 (i=20~40)           |                     | REF. NO. DSKEN639         |         | A               |            |