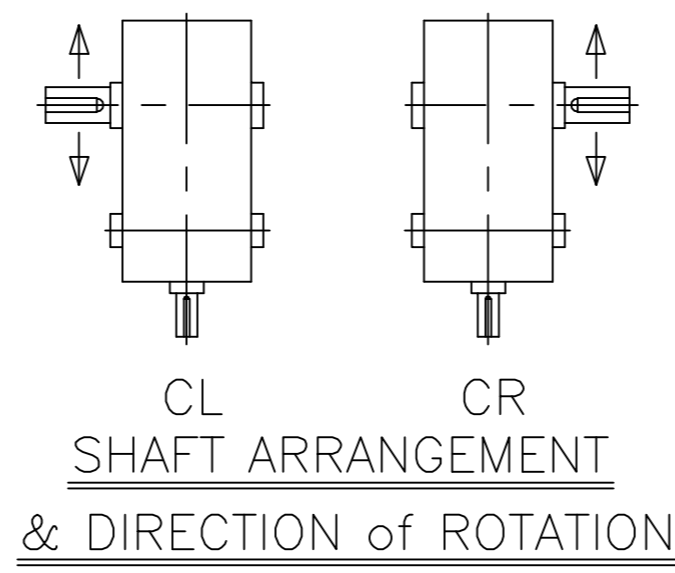
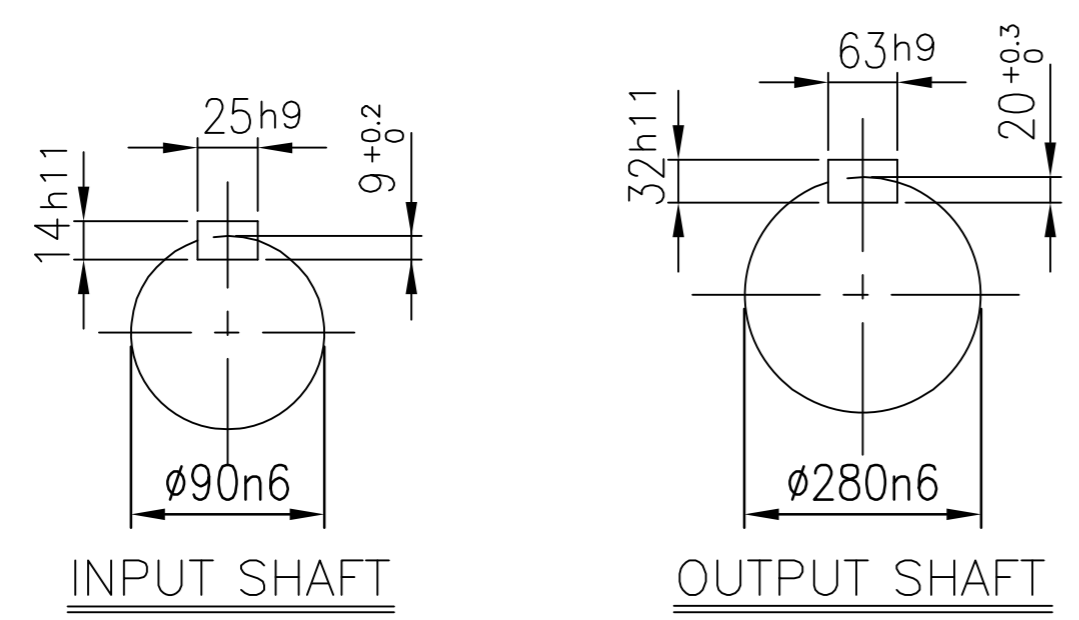
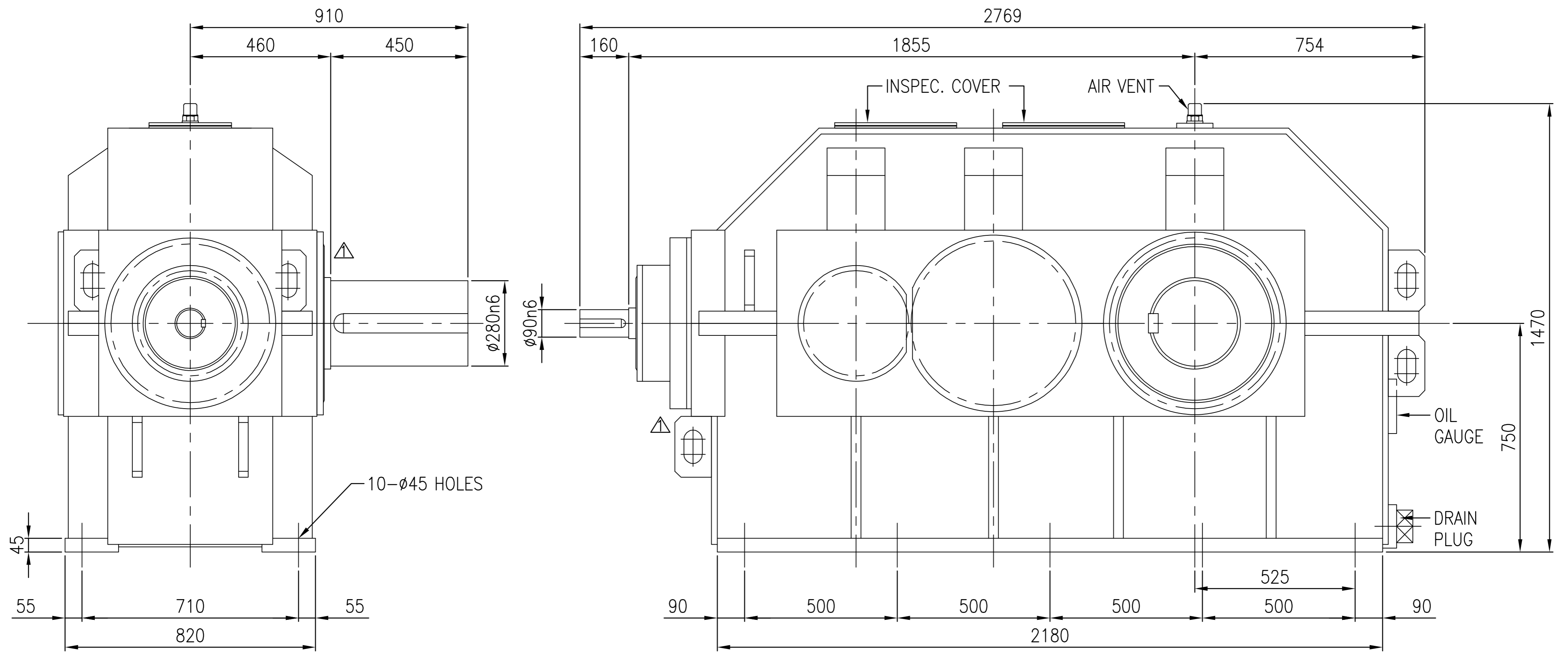


No.	NAME	MATERIAL	DWG/MATL No.	CODE	Q'TY	SIZE	WEIGHT	REMARK
-----	------	----------	--------------	------	------	------	--------	--------



DWG NAME		기어박스 외형도 DIMENSION			
2013.09.27	CHANGED LIFTING LUG	DWG No. EK1D000199		UNIT	mm
No.	DATE	DESCRIPTION of REVISION	DESIGNED	CHECKED	REVIEWED
			2013.10.24	2013.10.24	2013.10.24
FORM		HYOSUNG		APPROVED	DATE
CE-14-0100-442		2012.02.08		김기동	2013-09-27
ITEM		SKC66 (i=45~80)		REVISION NO.	01
		REF. NO.		DSKEN640	PROJECTION
					(A)