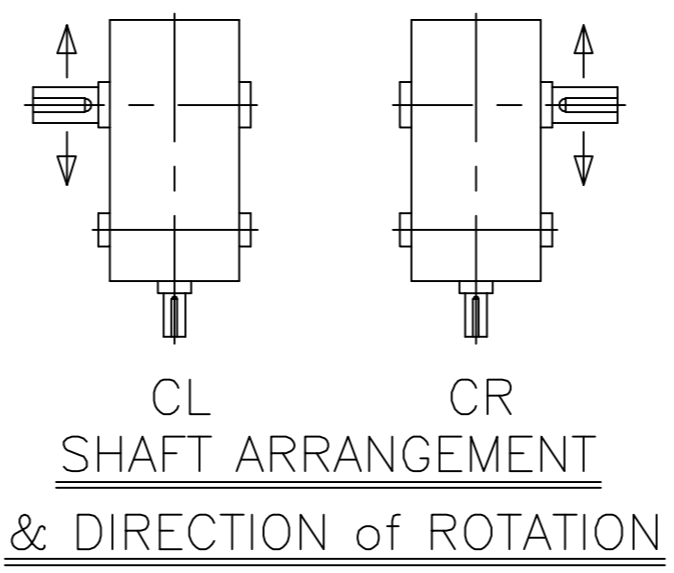
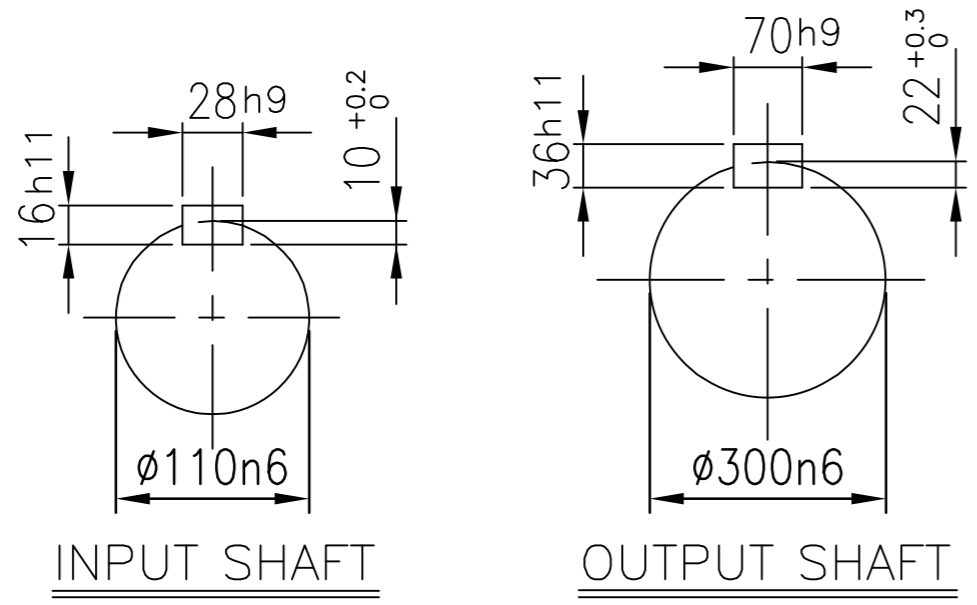
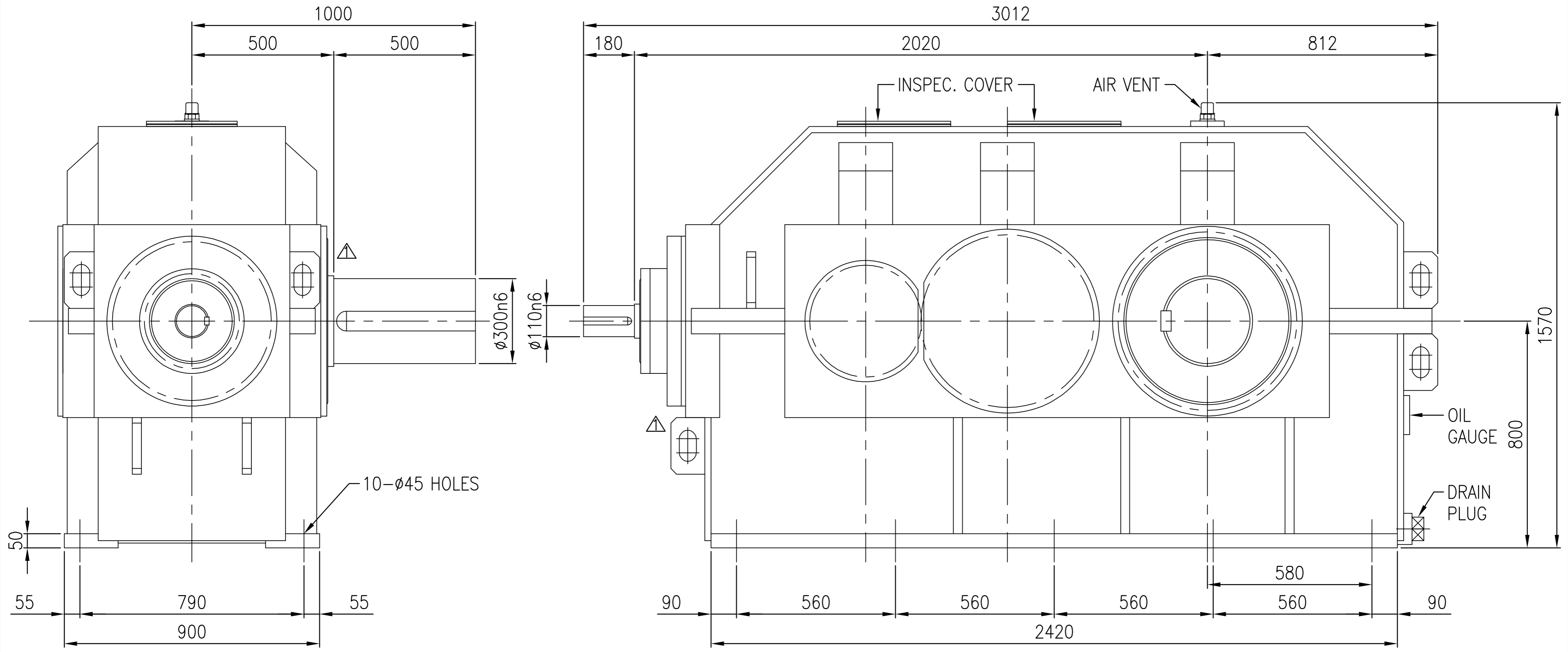


No.	NAME	MATERIAL	DWG/MATL No.	CODE	Q'TY	SIZE	WEIGHT	REMARK
-----	------	----------	--------------	------	------	------	--------	--------



DWG NAME		기어박스 외형도 DIMENSION			
2013.09.27	CHANGED LIFTING LUG	DWG No. EK1D000200		UNIT	mm
No.	DATE	DESCRIPTION of REVISION	DESIGNED	CHECKED	REVIEWED
1	2013.10.24	박선향	2013.10.24	서성민	2013.10.24
FORM		HYOSUNG		REVISION NO.	01
CE-14-0100-442		SKC71 (i=20~40)		PROJECTION	①
2012.02.08		REF. NO.		DSKEN641	