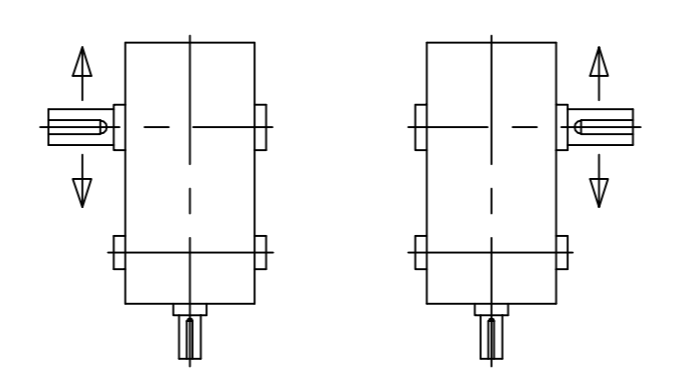
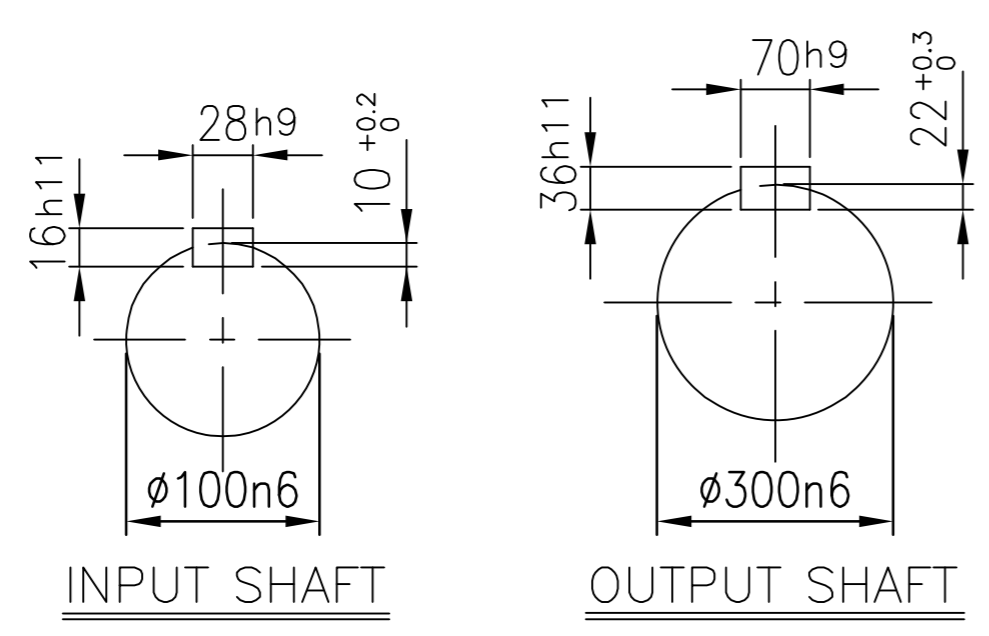
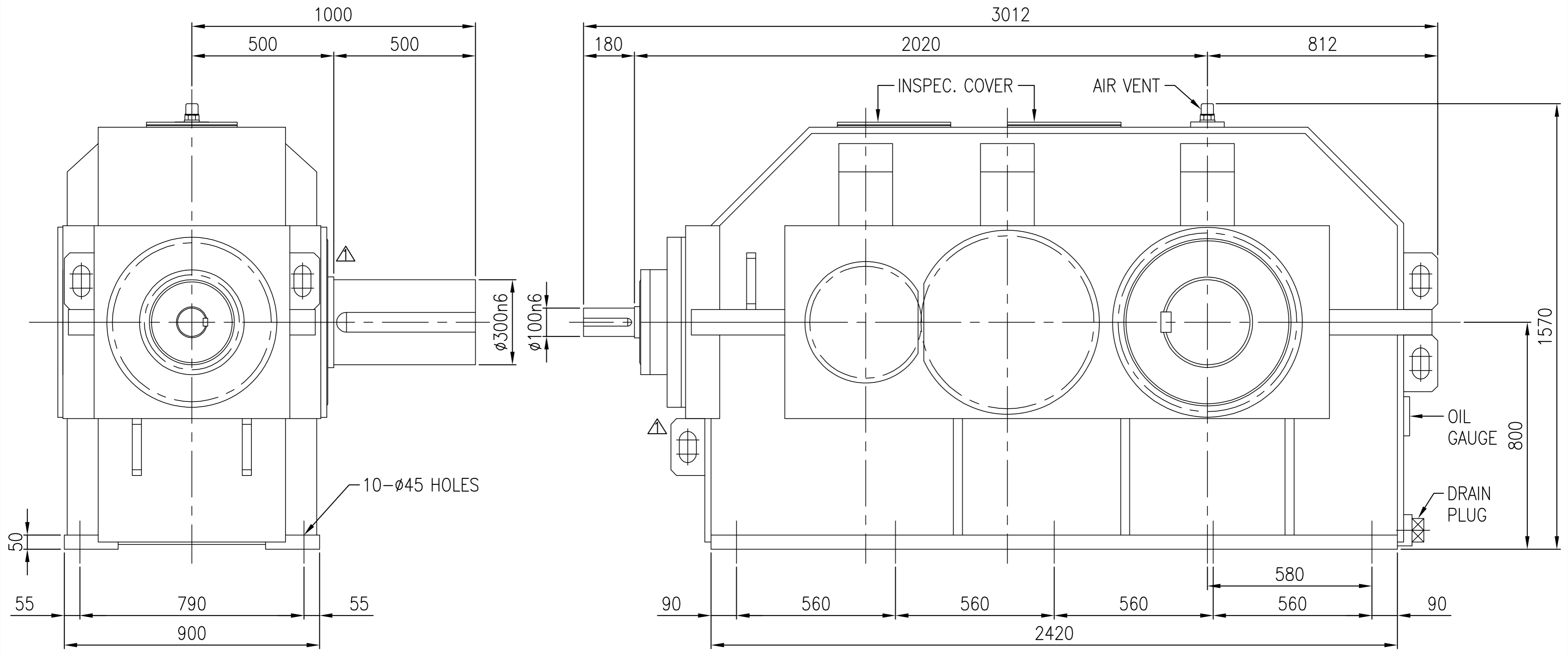


No.	NAME	MATERIAL	DWG/MATL No.	CODE	Q'TY	SIZE	WEIGHT	REMARK
-----	------	----------	--------------	------	------	------	--------	--------



CL CR
SHAFT ARRANGEMENT
& DIRECTION of ROTATION

DWG NAME		기어박스 외형도 DIMENSION							
DWG No.		EK1DO00201		UNIT	mm				
SCALE		1:10							
No.	DATE	DESCRIPTION of REVISION	DESIGNED	CHECKED	REVIEWED	APPROVED	DATE	2013-09-27	
FORM		HYOSUNG		2013.10.24		2013.10.24		REVISION NO.	01
CE-14-0100-442		박선향		서성민		김기동		PROJECTION	1
2012.02.08		SKC71 (i=45~80)		REF. NO.		DSKEN642		A	