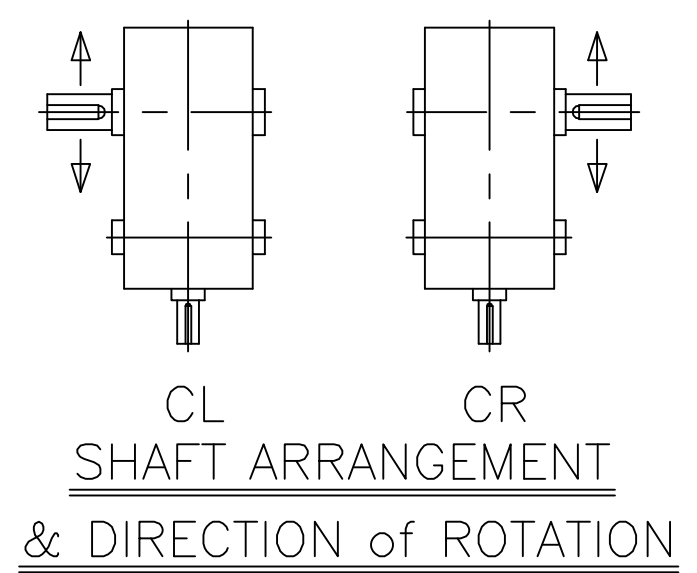
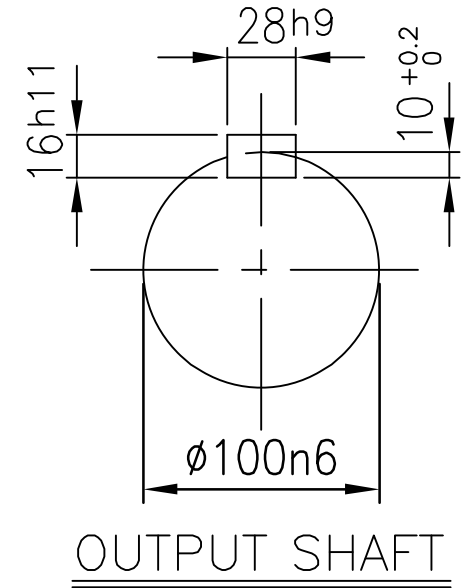
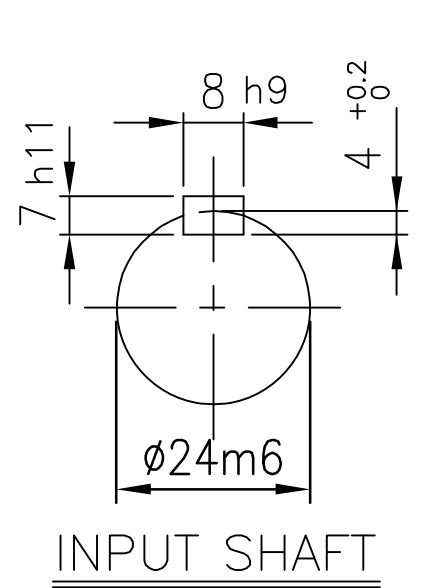
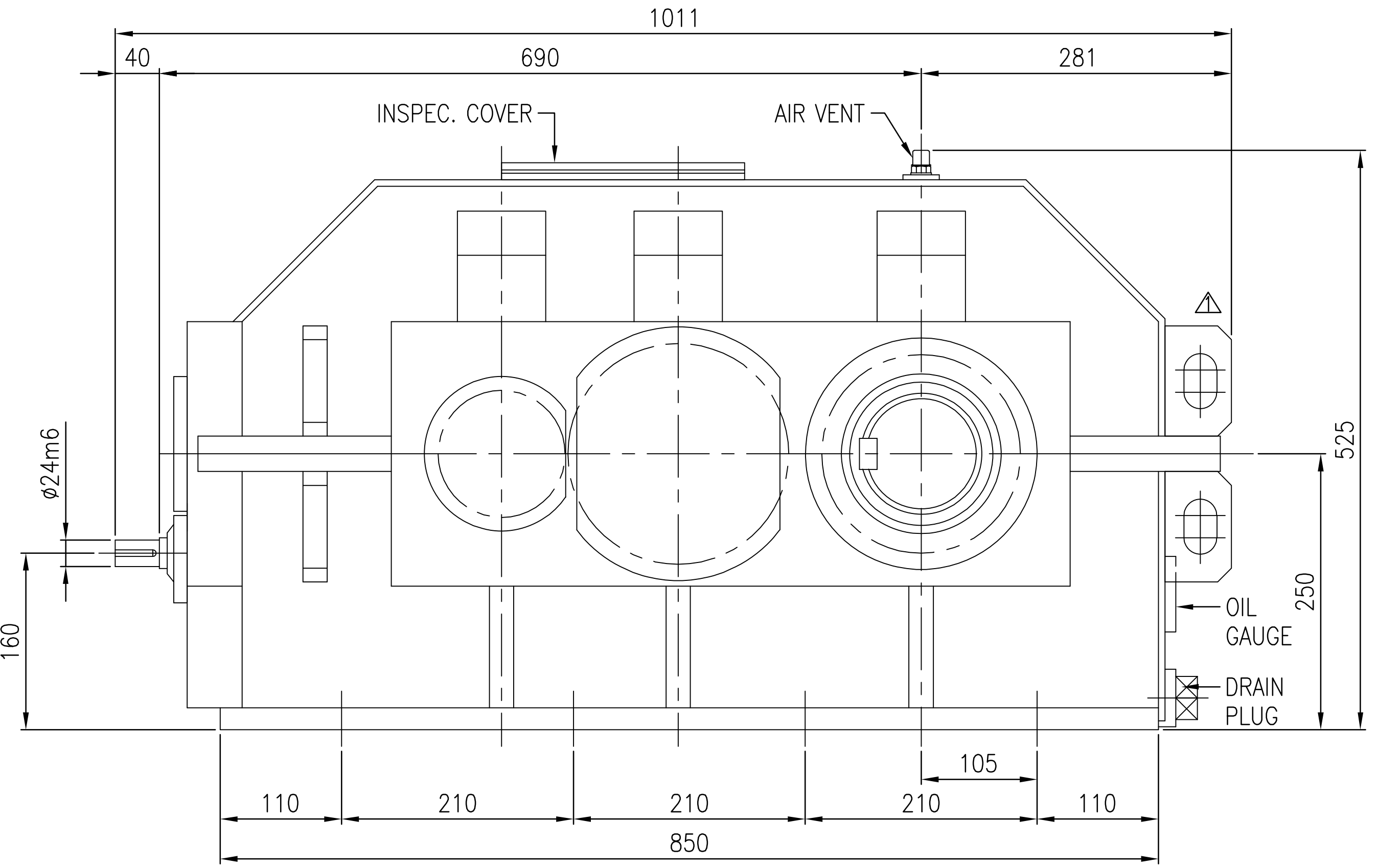
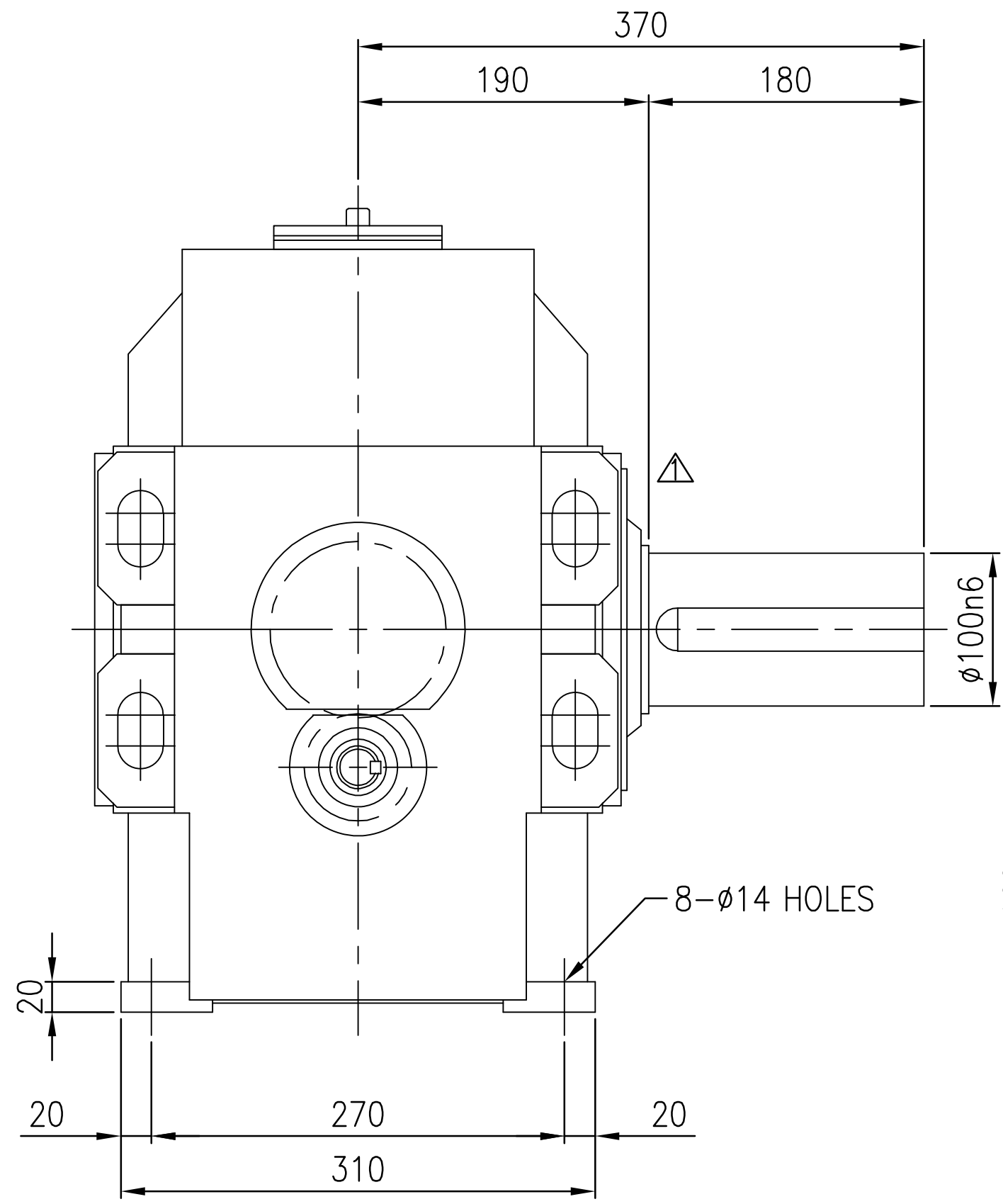


No.	NAME	MATERIAL	DWG/MATL No.	CODE	Q'TY	SIZE	WEIGHT	REMARK
-----	------	----------	--------------	------	------	------	--------	--------



DWG NAME		기어박스 외형도			
DIMENSION		EK1DO00202			
DWG No.		UNIT		mm	
2013.09.27		SCALE		1:3.5	
No.	DATE	DESIGNED	CHECKED	REVIEWED	APPROVED
		2013.10.24	2013.10.24		2013.10.24
DESCRIPTION of REVISION		REVISION NO.		01	
CHANGED LIFTING LUG		PROJECTION		A	
FORM		REF. NO.		DSKEN643	
CE-14-0100-442		ITEM		SKD22 (i=80~200)	
2012.02.08					
HYOSUNG					